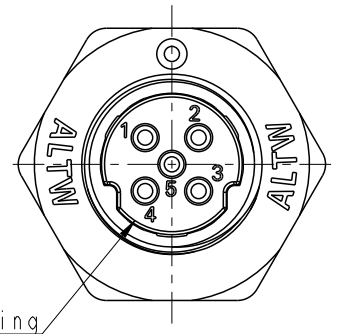
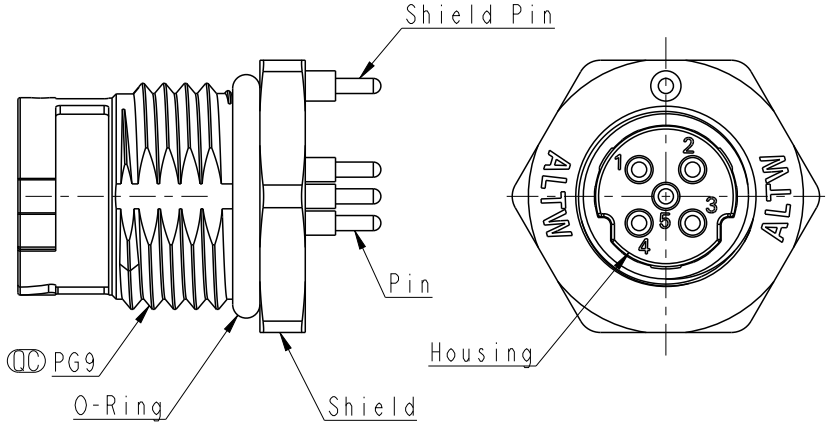
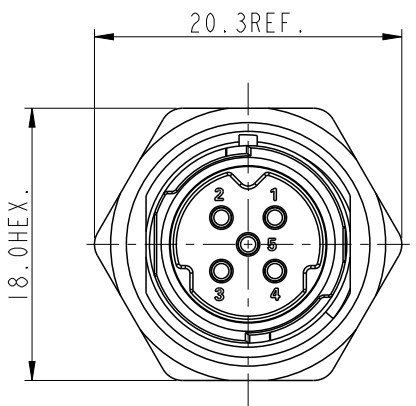
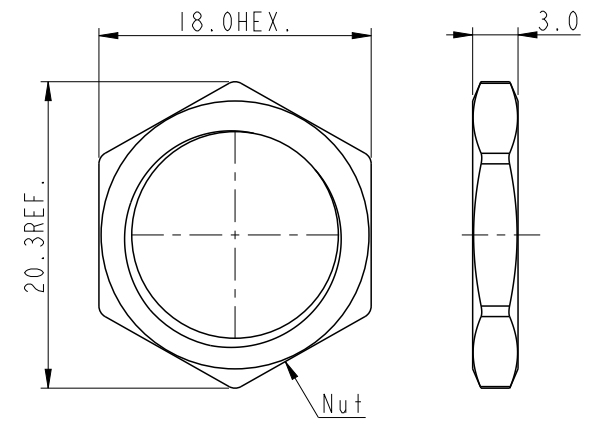
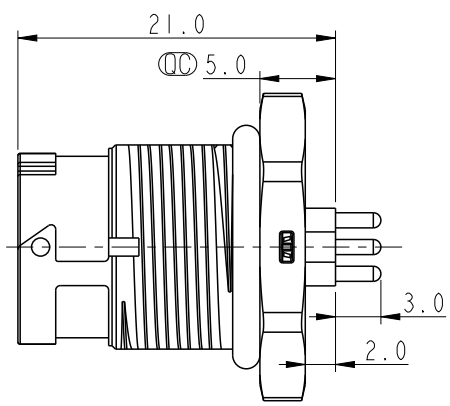
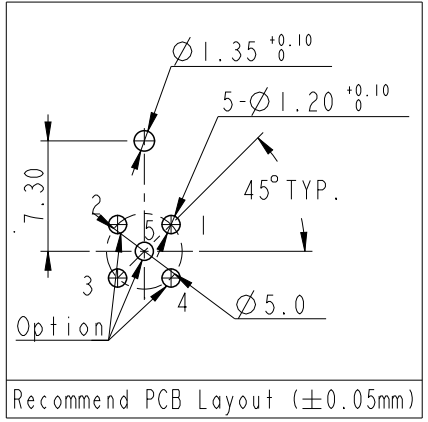
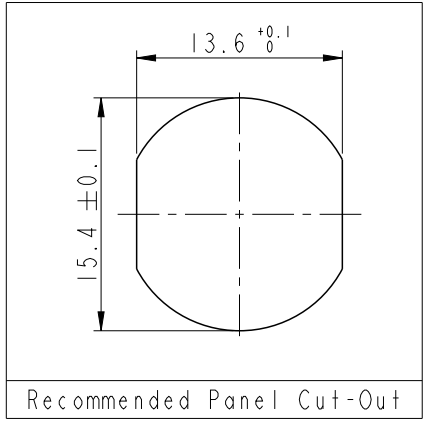
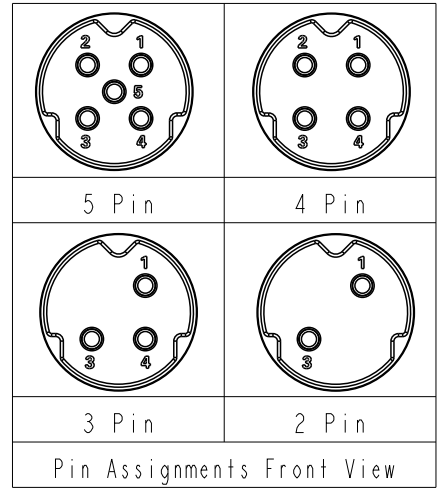


THIS DOCUMENT IS SUBJECT TO CHANGE WITHOUT NOTICE. IT IS CONFIDENTIAL AND A PROPERTY OF AMPHENOL LTW. DISCLOSURE TO THIRD PARTY HAS TO BE AUTHORIZED BY AMPHENOL LTW.

REV.	ECN NO.	DATE	SIGN	DESCRIPTION
A		2022-08-05	Sam Ho	Rev.01 to A, Initial Released



- Note:
- \* RoHS Compliant
  - \*  $\varnothing$  Important dimension
  - \* Waterproof rate: IPX8, unmated 1m/24h
  - \* Housing: Thermoplastic, Black
  - \* Pin: Copper Alloy, Gold plated
  - \* Shield Pin: Copper Alloy, Tin plated
  - \* Shield: Metal
  - \* Nut: Metal
  - \* O-Ring: Rubber, Black
  - \* For panel thickness max: 4.5mm
  - \* Recommend PCB thickness max: 2.0mm
  - \* Nut is packed separately in pe bag
- ASD-XXPMMP-QC8001
- XX: No. Of Pin



UNIT:mm		
TOLERANCE		
±0.50mm		

TITLE XLOK, A SHLD-5A, FRONT FASTENED M, M, PCB S, PUSH LOCK			
SCALE 2:1	SIZE A4	SHEET 1 OF 1	
REV. A	WC-REV.	$\varnothing$ : Inspection item	

**Amphenol LTW**  
安費諾亮泰企業股份有限公司

ITEM NO.	DRAWN BY Sam Ho	DATE 2022-08-05
DWG NO. ASD-XXPMMP-QC8001	CHECKED BY Fred Lee	DATE 2022-08-05
CUSTOMER ALTW	APPROVED BY Fred Lee	DATE 2022-08-05