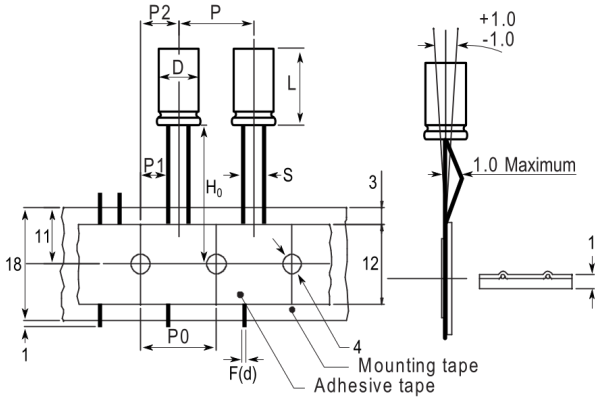


Straight Leads Diameter > 8  
Lead and packaging code EA and KA



Note: '(j)' correspond to the letters used in the product bulletin

Click [here](#) for the 3D model.

### Dimensions

D	16mm +/-0.5mm
L	25mm +2mm
S	7.5mm +/-0.5mm
LL Negative	15mm MIN
LL Positive	20mm MIN
F	0.8mm NOM

### Packaging Specifications

Packaging	Ammo
Packaging Quantity	300

### General Information

Series	ESH
Dielectric	Aluminum Electrolytic
Description	High CV Single Ended Aluminum Electrolytic
Features	High CV
RoHS	Yes
Lead	Wire Leads
AEC-Q200	No

### Specifications

Capacitance	3,300 uF
Capacitance Tolerance	20%
Voltage DC	16 VDC, 20 VDC (Surge)
Temperature Range	-40/+105°C
Rated Temperature	105°C
Life	2000 Hrs
Dissipation Factor	18% 120Hz 25C
Ripple Current	1350 mAmps (120Hz 105C)
Leakage Current	528 uA (2min 20°C)
Impedance Ratio at -25C	2
Impedance Ratio at -40C	4