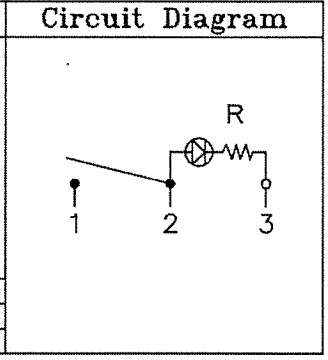
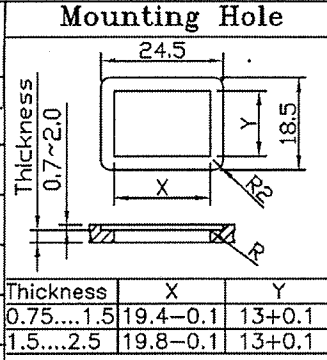
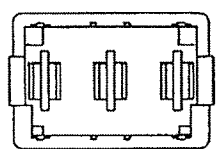
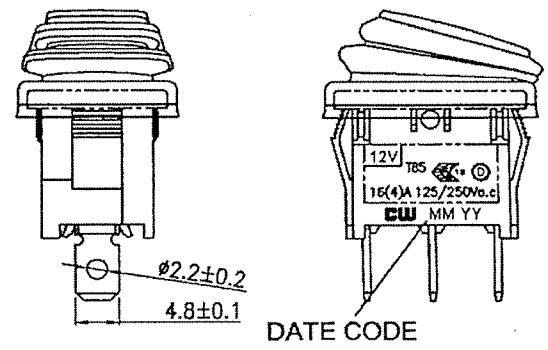
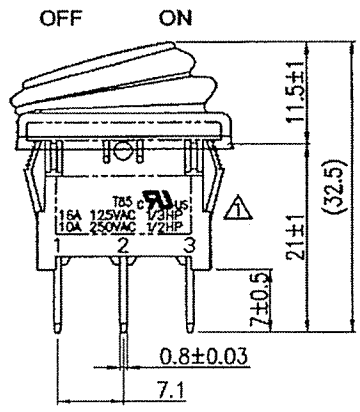
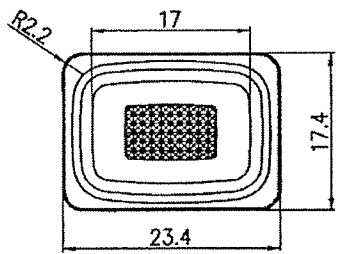


THIS INFORMATION IS CONFIDENTIAL AND PROPRIETARY TO CW INDUSTRIES INCORPORATED AND ITS AFFILIATES. IT MAY NOT BE DISCLOSED TO ANYONE, OTHER THAN CW INDUSTRIES PERSONNEL, WITHOUT WRITTEN AUTHORIZATION FROM CW INDUSTRIES INCORPORATED, SOUTHAMPTON, PENNSYLVANIA USA.

Rating	16A 125V AC 1/3 HP 10A 250V AC 1/2 HP	
	16(4)A 125/250V AC	
Configured For	20A 12VDC	
Contact Resistance	50m ohm Max.	
Insulation Resistance	DC 500V 100M ohm Min.	
Dielectric Strength	AC 1000V 1 minute	
Operation Temperature	-25°C~85°C	
Switch Function	3P SPST ON - OFF LED Dependent	
Lamp Type	LED 12VDC 14V w/resistor R=680 ohm	



Material:
 Frame: Nylon 66 (94-V2), Black
 Actuator: PC clear (94-V2), Red
 Waterproof Rubber: Silicone, Black
 Terminals: Silver plated, Copper alloy
 Hot stamping: None
 Waterproof: IP65
 LED: Red



Tolerances ±0.3 Unless Otherwise Specified

RoHS Compliant

2 Updated ratings & views. 3-01-13.

CW INDUSTRIES
 Southampton, Pa. 18966
 Tel 215.355.7080/www.cwind.com

Date Drawn: 5/17/10

Rev. 2

Unit: mm

Checked By: *G. Guld*

Title: **ROCKER SWITCH**

CW P/N: **GRB066B802BR1**