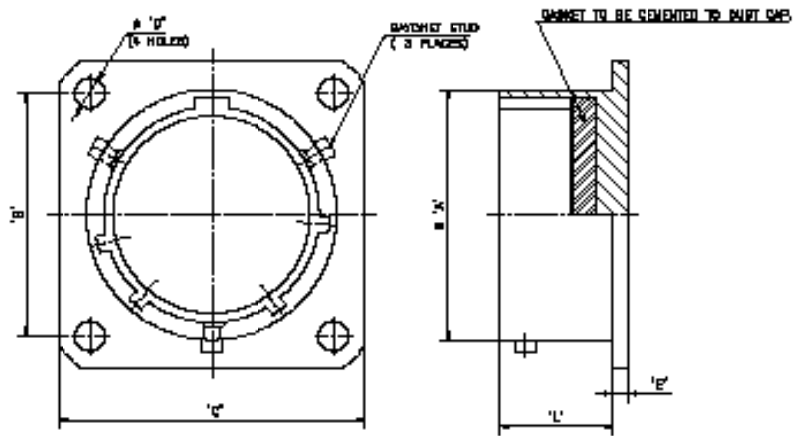


MIL-DTL-26482, Series I & II

JANMS3115	12	W
SERIES	SHELL SIZE	FINISH
	8	A: Hard Anodize black W: Cadmium Olive Drab L: Electroless Nickel
	10	
	12	
	14	
	16	
	18	
	20	
22		
	24	



Accessory Shell Size	A		B Typ		C Max		D		E		L	
	+0.03/-0.13		mm	inch	mm	inch	±0.13		±0.41		+0.79/-0	
	mm	inch					mm	inch	mm	inch	mm	inch
8	12.01	0.47	15.09	0.59	21.03	0.82	3.05	0.12	1.57	0.06	11.73	0.46
10	14.99	0.59	18.26	0.71	24.23	0.95	3.05	0.12	1.57	0.06	11.73	0.46
12	19.05	0.75	20.62	0.82	26.59	1.05	3.05	0.12	1.57	0.06	11.73	0.46
14	22.22	0.87	23.01	0.91	28.98	1.14	3.05	0.12	1.57	0.06	11.73	0.46
16	25.40	1	24.61	0.97	31.34	1.23	3.05	0.12	1.57	0.06	11.73	0.46
18	28.57	1.12	26.97	1.06	33.73	1.33	3.05	0.12	1.57	0.06	11.73	0.46
20	31.75	1.25	29.36	1.16	36.91	1.45	3.05	0.12	2.39	0.09	14.12	0.56
22	34.92	1.37	31.75	1.25	40.08	1.58	3.05	0.12	2.39	0.09	14.12	0.56
24	38.10	1.5	34.93	1.38	43.26	1.70	3.73	0.15	2.39	0.09	14.96	0.59