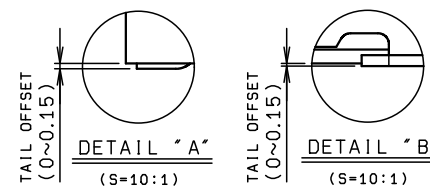
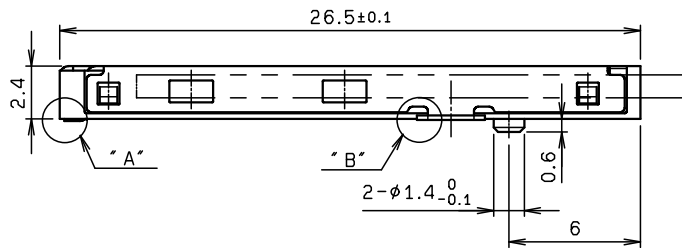
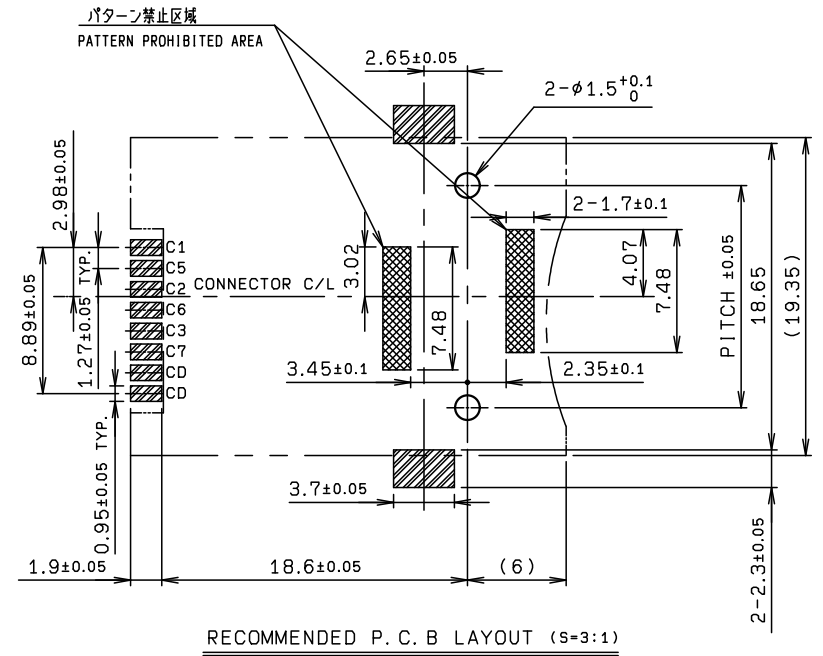
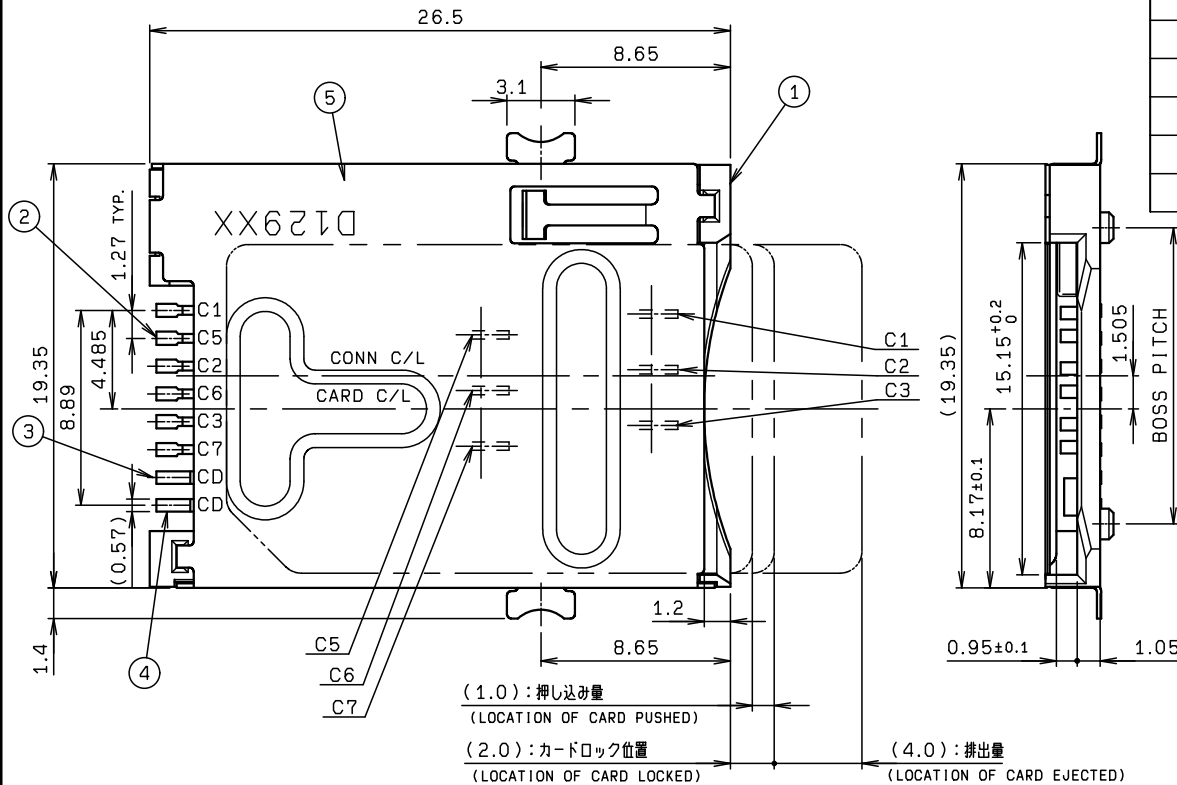


NO.	DESCRIPTION	PART NO.	QTY	MATERIAL	DRW NO.	REMARKS
1	INSULATOR		1	LCP		UL94-V0
2	CONTACT		6	PHOS-BRONZE		CONT. AREA: AU TAIL: Sn-Cu
3	CD CONTACT UPPER		1	PHOS-BRONZE		CONT. AREA: AU TAIL: Sn-Cu
4	CD CONTACT LOWER		1	PHOS-BRONZE		CONT. AREA: AU TAIL: Sn-Cu
5	SHELL		1	SUS		ALL OVER: NI TAIL: AU
6	COIL SPRING		1	SUS		
7	EJECT BAR		1	LCP		
8	CAM BAR		1	SUS		UL94-V0

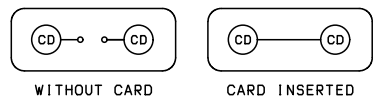


ROHS規制対応
COMPLIANT WITH
ROHS REGULATIONS

注記
NOTE

1. テールコプラナリティー: 0.1MAX.
COPLANARITY: 0.1MAX.

2. 回路構成
CIRCUIT



3. LOT. NO.
D129XX

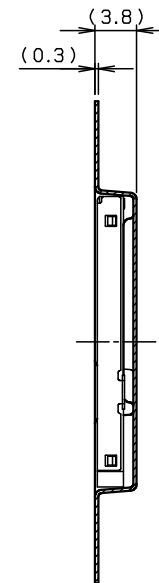
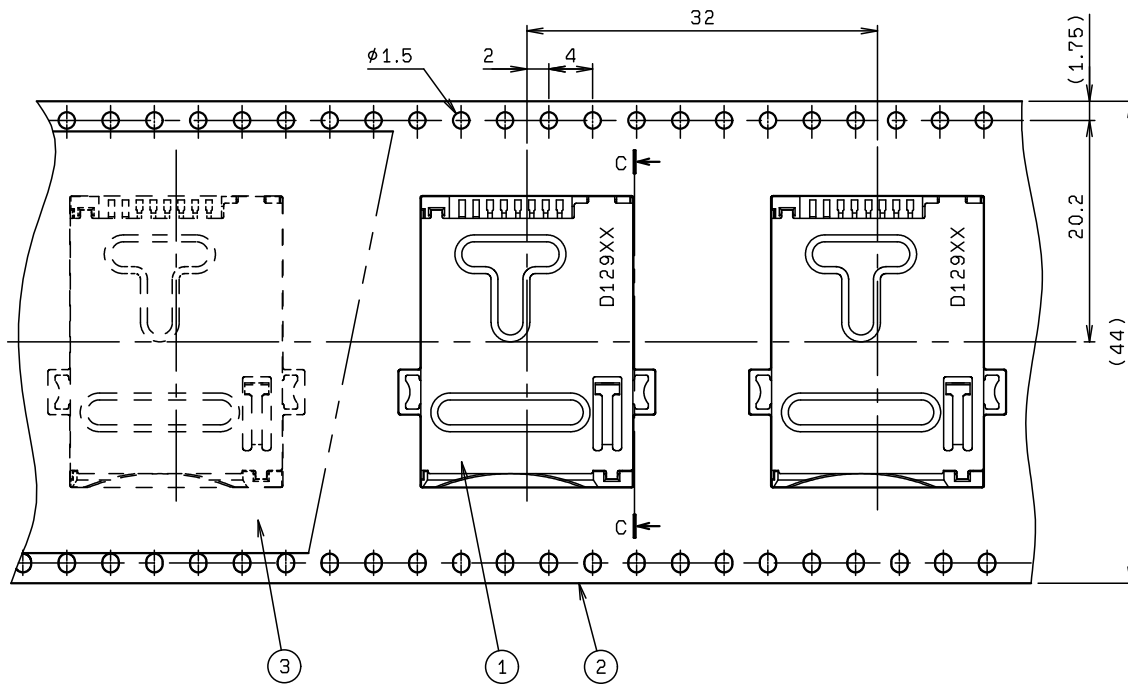
製造場所コード
PRODUCT PLACE NO.

日 DAY
月 MONTH (1~9, X, Y, Z)
年 YEAR
(A. D. 2000~: A, B, C~J, K
2010~: 0, 1, 2~8, 9
2020~: A, B, C~J, K)

※この注記は1ページ目にお適用
※THIS NOTES IS APPLICABLE
TO SHEET-1 ONLY.

TOLERANCE / 一般公差(S)		PRODUCT SPEC / 製品規格		E DCN-866		2017/09/05	
X < 10	±0.2	UNIT		D DCN-1009	2008/12/25	A. SATO	H. SADATOKU
10 ≤ X < 30	±0.25	ANGLE		O EDN-780	2004/07/13	A. SATO	Y. SHIROYAMA N. HAYASHI
30 ≤ X	±0.3	mm	3RD	NO. EDN/DCN	DATE	ISSUE	CHECKED APPROVED
ANGLE / 角度 ±3°		SCALE	DATE	PART NAME / 品名			
		4 : 1	2004/07/13	SERIES 5036 SIM CONNECTOR ASSY SMT			
DRAWN	DESIGNED	CHECKED	APPROVED	PART NO. / 製番			
LI	A. SATO	Y. SHIROYAMA	N. HAYASHI	04 5036 006 XXX 862 +			
KYOCERA Corporation				DWG NO. / 図番		SHEET/REV	
				BJS 5036012		1/2 E	

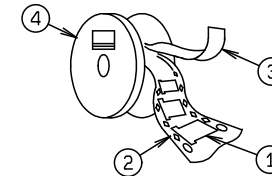
NO.	DESCRIPTION	PART NO.	QTY	MATERIAL	DRW NO.	REMARKS
1	CONNECTOR	04 5036 006 XXX 862 +	500			00 5036 006 XXX 862 +
2	EMBOSSED TAPE		1	POLYSTYRENE		
3	TOP COVER TAPE		1	PET		
4	REEL		1	POLYSTYRENE		



SECT. C-C

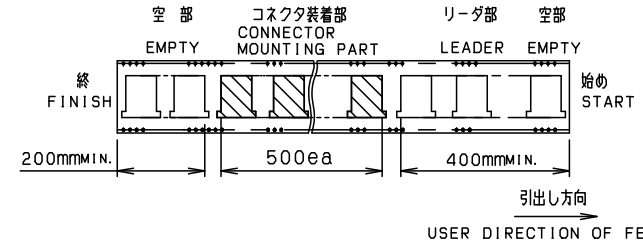
注記
NOTE

1. 納入数量 : 500個/リール
QUANTITY : 500 ea/reel
2. 納入時のリール巻き方向
REELING DIRECTION
IN DELIVERY



3. 引出し方向

USER DIRECTION OF FEED



4. 型番 P/N 04 5036 006 XXX 862 +

極数 NO. OF POS.

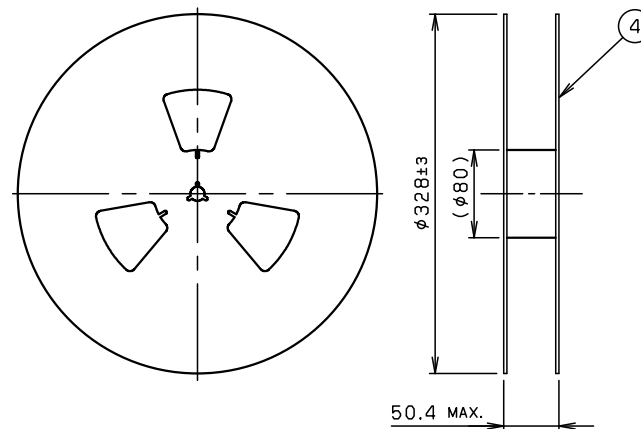
バリエーション VARIATION

299: WITH BOSS (PITCH 15.54)

200: WITH BOSS (PITCH 13.52)

※この注記の1~3は2ページ目のみ適用

※THIS NOTES 1 TO 3 ARE APPLICABLE TO SHEET-2 ONLY.



REEL DIMENSION (S=1:5)

ROHS規制対応
COMPLIANT WITH
ROHS REGULATIONS

TOLERANCE / 一般公差 (S)		PRODUCT SPEC / 製品規格		REFER TO SHEET 1/2					
X < 10	±0.2	UNIT	ANGLE	NO.	EDN/DCN	DATE	ISSUE	CHECKED	APPROVED
10 ≤ X < 30	±0.25	mm	3RD	PART NAME / 品名					
30 ≤ X	±0.3	SCALE	DATE	SERIES 5036 EMBOSS TAPE ASSY					
ANGLE / 角度 ±3°		2:1	2004/07/13	TYPE SPRING EJECT					
DRAWN	DESIGNED	CHECKED	APPROVED	PART NO. / 製番					
LI	A. SATO	Y. SHIROYAMA	N. HAYASHI	04 5036 006 XXX 862 +					
KYOCERA KYOCERA Corporation				DWG NO. / 図番		SHEET/REV			
				BJS 5036012		2/2		E	