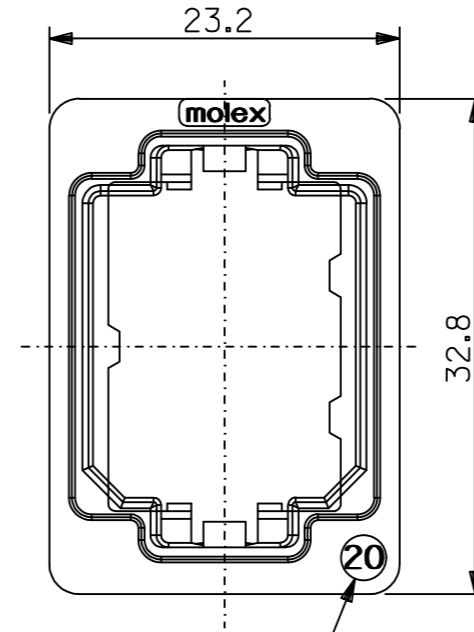
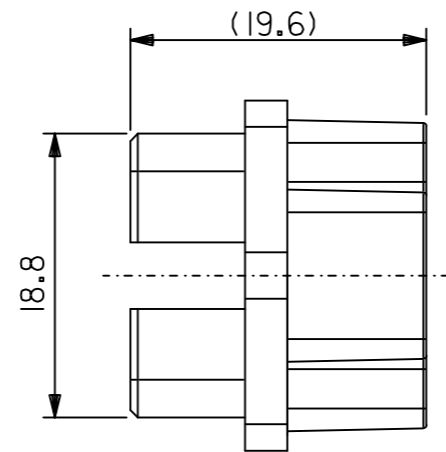
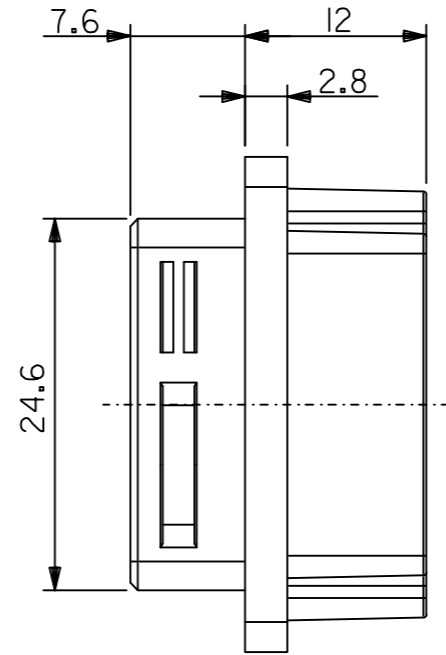


ハウジング挿入方向キー  
POLARIZATIONS KEY FOR HOUSING



SIZE IDENTIFICATION

注記  
NOTES

1. 材質  
MATERIAL  
亜鉛合金, ニッケルメッキ  
ZINC ALLOY, NI PLATING
2. 適用ハウジングアセンブリ : 51233-201\* (PIN HS'G ASS'Y)  
51238-201\* (SOCKET HS'G ASS'Y)  
APPLICABLE HOUSING ASS'Y : 51233-201\* (PIN HS'G ASS'Y)  
51238-201\* (SOCKET HS'G ASS'Y)

563772002	56377-2002	56377-****
MATERIAL NO.	ENG. NO.	MODEL NO.

FUNCTIONAL SYMBOLS F/A=0 F/C=0 F/P=0 DIVISIONAL SYMBOLS	THIS DRAWING CONTAINS INFORMATION THAT IS PROPRIETARY TO MOLEX ELECTRONIC TECHNOLOGIES, LLC AND SHOULD NOT BE USED WITHOUT WRITTEN PERMISSION											
	DIMENSION UNITS <b>MM</b>		SCALE <b>2:1</b>		CURRENT REV DESC: CONVERTED TO AUTOCAD. TRADEMARK LOGO "MOLEX" CHANGED						<b>molex</b>	
	GENERAL TOLERANCES (UNLESS SPECIFIED)											
	4 PLACES ±----		mm INCH		EC NO: 652148		DRWN: ABENJAMINLW 2020/11/26		COMPACT ROBOT CONN. (CRC)		RECEPTACLE SHELL	
3 PLACES ±----				DRWN: SAKIYAMA 2001/03/07		CHK'D: MBIZZOZERO 2021/03/02		PRODUCT CUSTOMER DRAWING				
2 PLACES ±----				APPR: MBIZZOZERO 2021/03/02		INITIAL REVISION:		DOCUMENT NUMBER		DOC TYPE/DOC PART/REVISION		
1 PLACE ±----				DRWN: SAKIYAMA 2001/03/07		APPR: SAKIYAMA 2001/03/07		SD-56377-011		PSD 001 A1		
0 PLACES ±----				ANGULAR TOL ± ---- °		DRAFT WHERE APPLICABLE MUST REMAIN WITHIN DIMENSIONS		THIRD ANGLE PROJECTION		DRAWING B-SIZE		
								SERIES 56377		MATERIAL NUMBER SEE CHART		
								CUSTOMER GENERAL MARKET		SHEET NUMBER 1 OF 1		