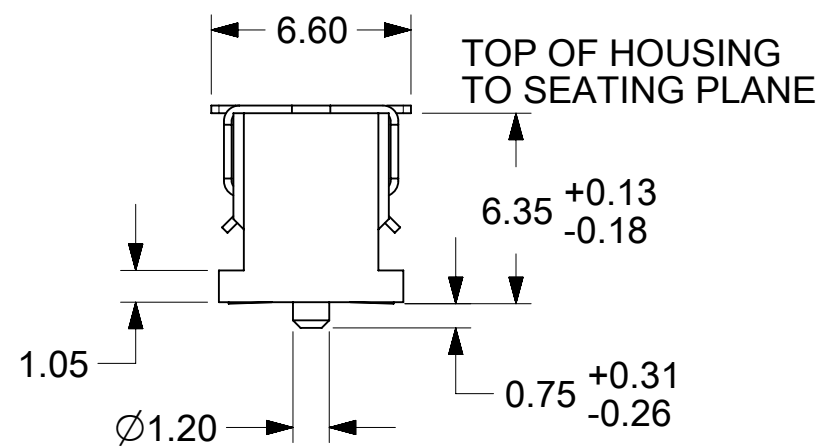
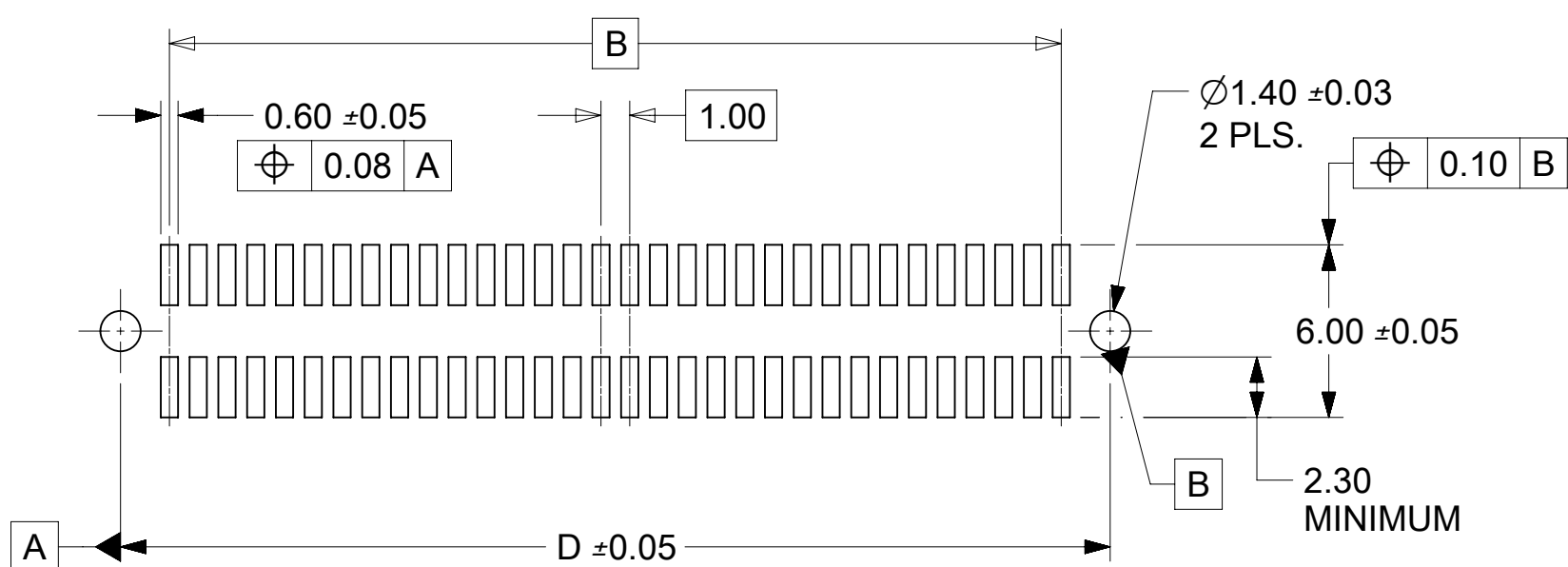
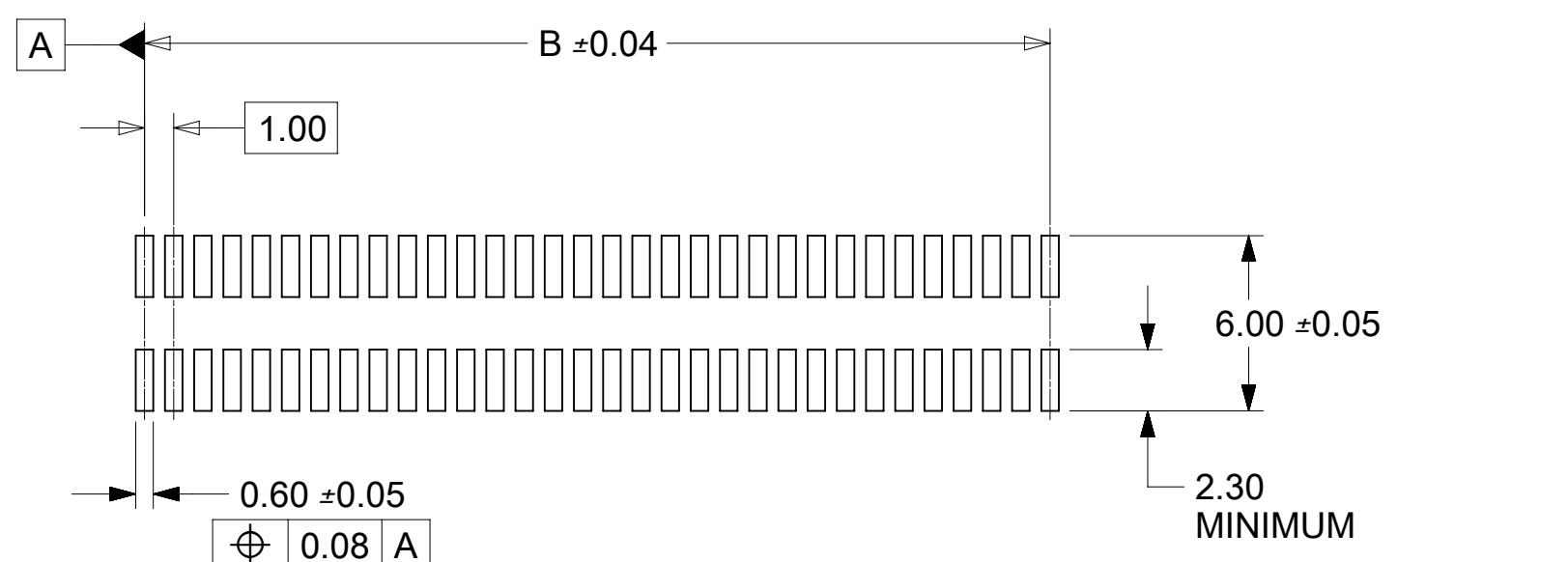


\* THE PRIMARY SHIPPING CARTON WILL BE LABELED "COMPLIANT TO RoHS DIRECTIVE 2002/95/EC AND ELV ANNEX II OF DIRECTIVE 2000/53/EC" CARTONS WITHOUT THIS LABEL MAY CONTAIN PRODUCT WITH LEAD.



CIRCUIT SIZE	DIM.A	DIM.B	DIM.C	DIM.D
20	13.90	9.00	12.58	12.40
30	18.90	14.00	17.58	17.40
40	23.90	19.00	22.58	22.40
50	28.90	24.00	27.58	27.40
60	33.90	29.00	32.58	32.40
64	35.90	31.00	34.58	34.40
70	38.90	34.00	37.58	37.40
80	43.90	39.00	42.58	42.40
84	45.90	41.00	44.58	44.40
90	48.90	44.00	47.58	47.40
100	53.90	49.00	52.58	52.40
110	58.90	54.00	57.58	57.40
120	63.90	59.00	62.58	62.40



RECOMMENDED PCB LAYOUT  
(WITH AND WITHOUT PEGS)  
RECOMMENDED PCB THICKNESS: 1.00±0.10 MINIMUM

NOTES

- 64-CIRCUIT PLUG ASSEMBLY WITH PEGS AND VACUUM CAP SHOWN FOR ILLUSTRATION PURPOSES ONLY.
- HOUSING MATERIAL: G.F. THERMOPLASTIC; UL RATING: 94V-0; COLOR: WHITE  
TERMINAL MATERIAL: PHOSPHOR BRONZE; 0.205 THICK.  
VACUUM CAP MATERIAL: STAINLESS STEEL; 0.255 THICK.
- COPLANARITY OF SMT TAILS: 0.10 MAX.
- PACKAGING SPECIFICATIONS: REFER TO TABLE ON SHEET 2.
- PEGS ARE OPTIONAL. REFER TO TABLE ON SHEET 2.
- VACUUM PICK & PLACE CAP OPTIONAL. REFER TO TABLE ON SHEET 2.
- THIS PART CONFORMS TO EIA STANDARD 700 AAB FOR 1.0mm TWO-PART CONNECTORS FOR USE WITH PARALLEL PRINTED BOARDS.
- THIS PART, WHEN MATED WITH MOLEX 1.0mm RECEPTACLE CONNECTOR SERIES 71439, CONFORMS TO MOLEX PRODUCT SPECIFICATION PS-71436-9999. REFER TO TABLE ON SHEET 2 FOR MATED STACK HEIGHTS FOR THIS PLUG.
- DATE CODE STAMP WEEK, YEAR LOCATED APPROXIMATELY WHERE SHOWN.

PLATING PER ES-88

30 GOLD - 0.76 MICROMETER MINIMUM GOLD IN CONTACT AREA AND  
1.91 MICROMETER MINIMUM MATTE TIN IN PC TAIL AREA  
OVER 1.27 MICROMETER MINIMUM PLATING OVERALL.

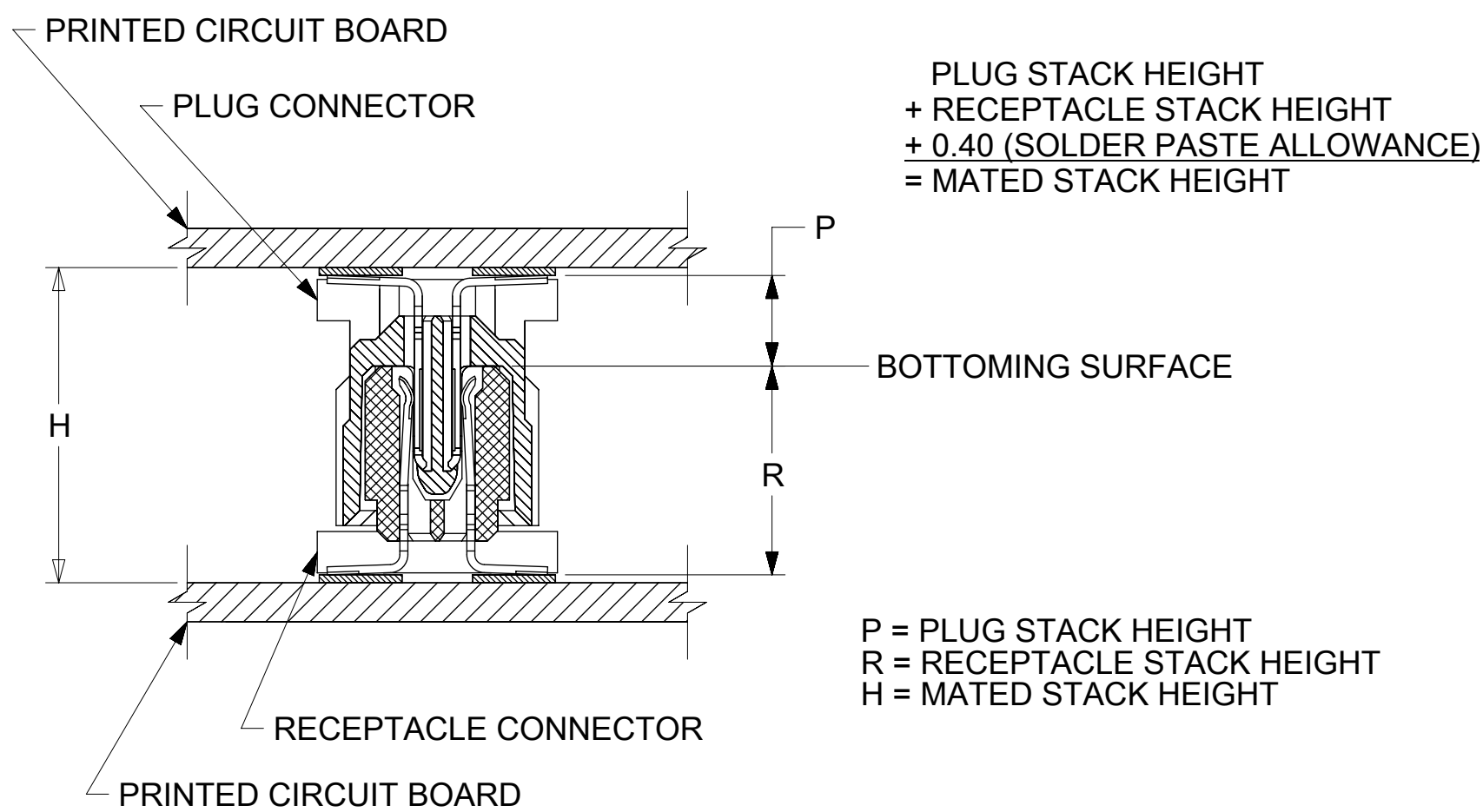
THIS DRAWING CONTAINS INFORMATION THAT IS PROPRIETARY TO MOLEX ELECTRONIC TECHNOLOGIES, LLC AND SHOULD NOT BE USED WITHOUT WRITTEN PERMISSION									
DIMENSION UNITS	SCALE	CURRENT REV DESC: REDRAWN IN NX							
mm	4:1								
GENERAL TOLERANCES (UNLESS SPECIFIED)									
ANGULAR TOL	± 0.5°	EC NO: 610884		2019/01/23		SALES ASSY, 1.0MM BOARD TO BOARD		PLUG CONNECTOR 2.30 STACK HEIGHT	
4 PLACES	±	DRWN: TTAO03		2019/02/01		PRODUCT CUSTOMER DRAWING			
3 PLACES	±	CHK'D: JKACHLIC		2019/02/01		DOCUMENT NUMBER		DOC TYPE   DOC PART   REVISION	
2 PLACES	± 0.13	APPR: JKACHLIC		2019/02/01		714360000		PSD   000   A1	
1 PLACE	± 0.25	INITIAL REVISION:		1995/04/03		MATERIAL NUMBER		CUSTOMER	
0 PLACES	±	DRWN: REED		1995/04/03		SEE TABLE		GENERAL MARKET	
DRAFT WHERE APPLICABLE MUST REMAIN WITHIN DIMENSIONS		THIRD ANGLE PROJECTION		DRAWING		SERIES		SHEET NUMBER	
				C-SIZE		71436		1 OF 2	

STANDARD

CIRCUIT SIZE	PLUG ASSY. PART NUMBER	PEGS	PICK & PLACE CAP	PACKAGING SPEC. NUMBER	PACKAGING TYPE
64	71436-0164	YES	NO	PK-70873-0607	TUBE
64	71436-0364	YES	YES	PK-70873-0607	TUBE
64	71436-0464	YES	YES	PK-70873-063	TAPE & REEL
64	71436-0564	NO	NO	PK-70873-0606	TUBE
64	71436-0764	NO	YES	PK-70873-0606	TUBE
64	71436-0864	NO	YES	PK-70873-063	TAPE & REEL

RECOMMENDED PLUG/RECEPTACLE COMBINATION FOR MATED STACK HEIGHT PER EIA STANDARD 700 AAAB

MATED STACK HEIGHT	RECEPTACLE HEIGHT	RECEPTACLE SERIES NO.	PLUG HEIGHT	PLUG SERIES NO.
8.00	5.30	71439-0***	2.30	71436-0***



P = PLUG STACK HEIGHT  
R = RECEPTACLE STACK HEIGHT  
H = MATED STACK HEIGHT

THIS DRAWING CONTAINS INFORMATION THAT IS PROPRIETARY TO MOLEX ELECTRONIC TECHNOLOGIES, LLC AND SHOULD NOT BE USED WITHOUT WRITTEN PERMISSION										
DIMENSION UNITS		SCALE		CURRENT REV DESC: REDRAWN IN NX						
mm		---								
GENERAL TOLERANCES (UNLESS SPECIFIED)				EC NO: 610884				SALES ASSY, 1.0MM BOARD TO BOARD PLUG CONNECTOR 2.30 STACK HEIGHT		
ANGULAR TOL		± 0.5°		DRWN: TTAO03		2019/01/23				
4 PLACES		±		CHK'D: JKACHLIC		2019/02/01				
3 PLACES		±		APPR: JKACHLIC		2019/02/01		PRODUCT CUSTOMER DRAWING		
2 PLACES		± 0.13		INITIAL REVISION:				DOCUMENT NUMBER		
1 PLACE		± 0.25		DRWN: REED		1995/04/03		714360000		
0 PLACES		±		APPR: BIXLER		1995/04/03		PSD	000	A1
DRAFT WHERE APPLICABLE MUST REMAIN WITHIN DIMENSIONS				THIRD ANGLE PROJECTION		DRAWING	SERIES	MATERIAL NUMBER	CUSTOMER	SHEET NUMBER
						C-SIZE	71436	SEE TABLE	GENERAL MARKET	2 OF 2