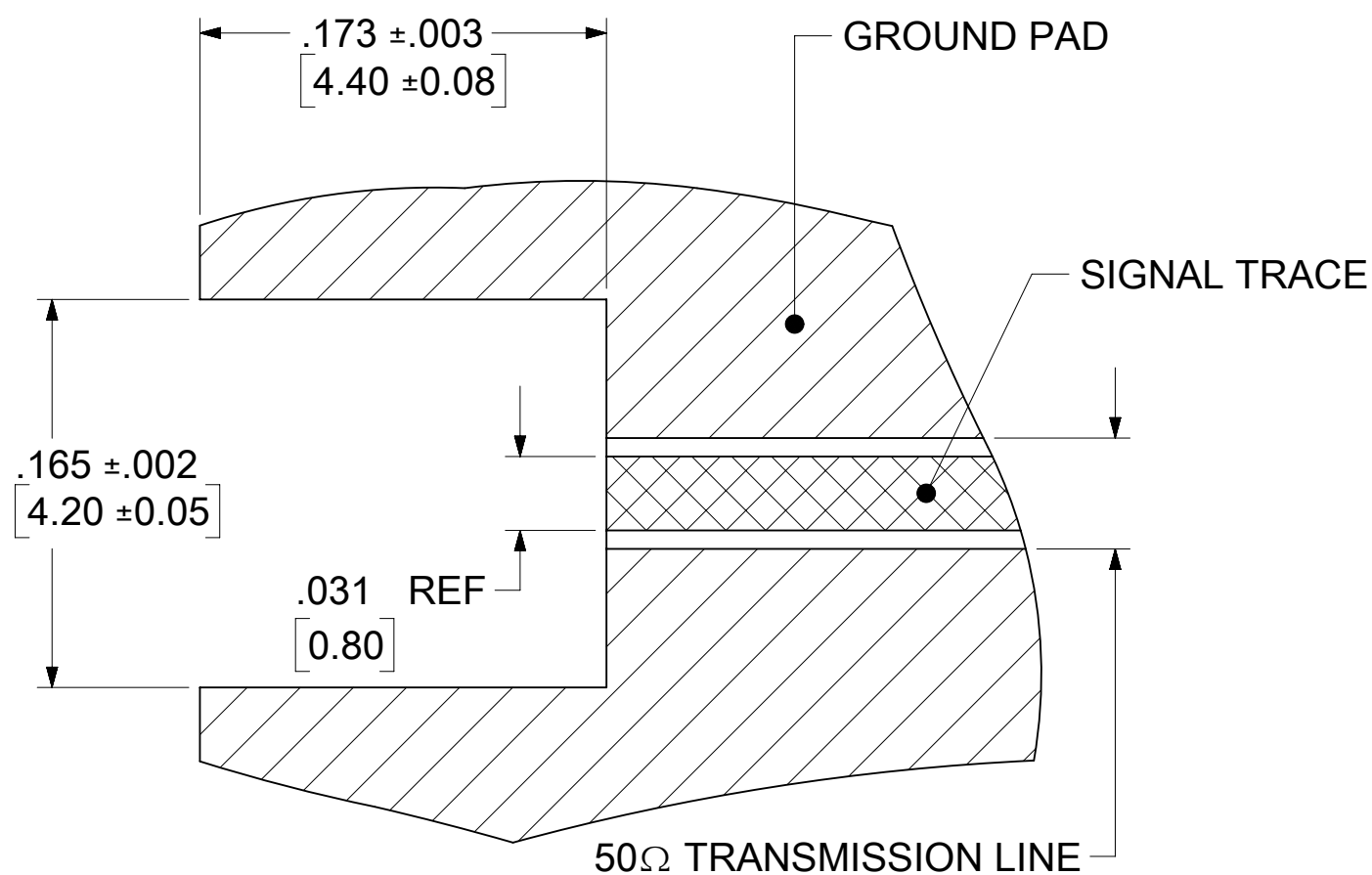
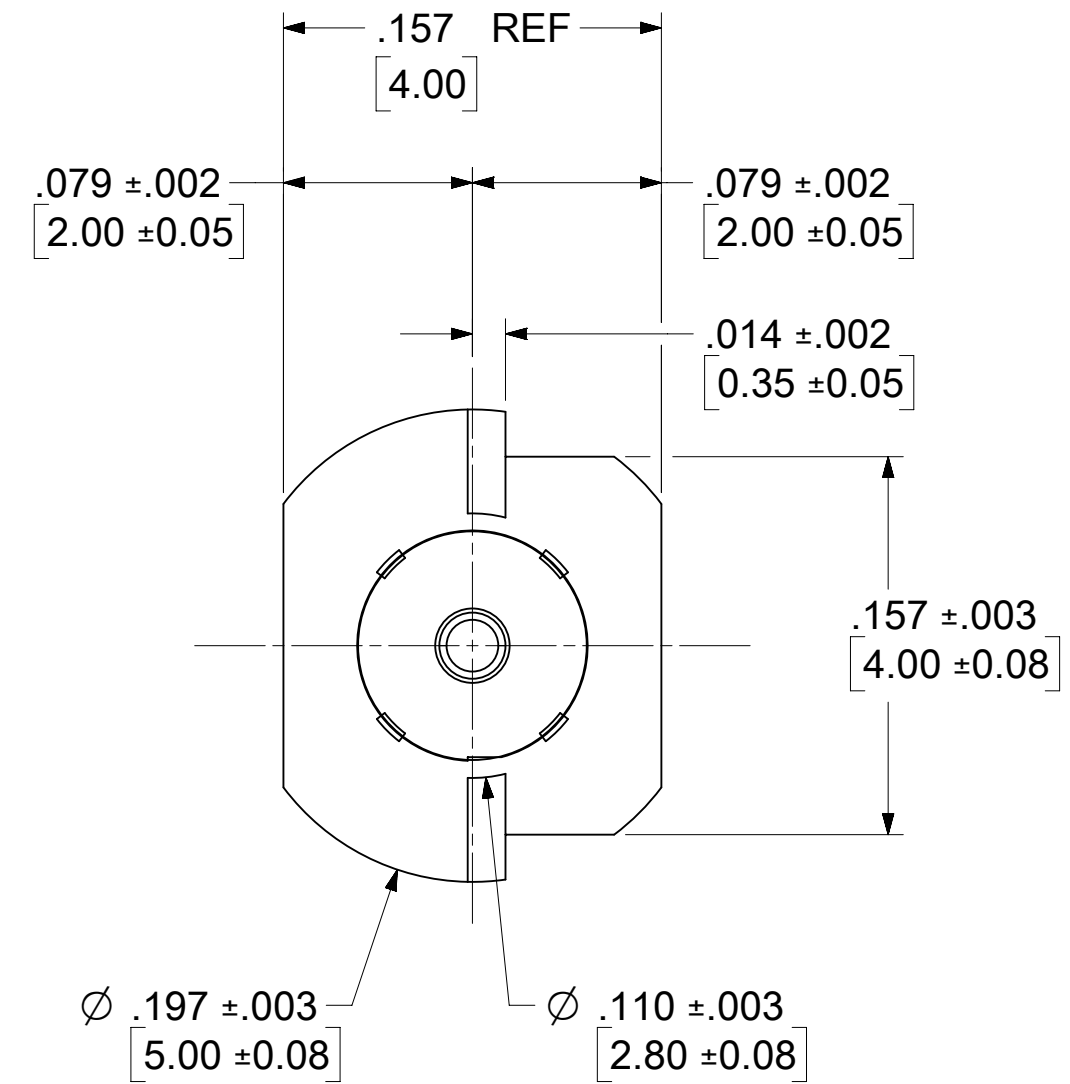
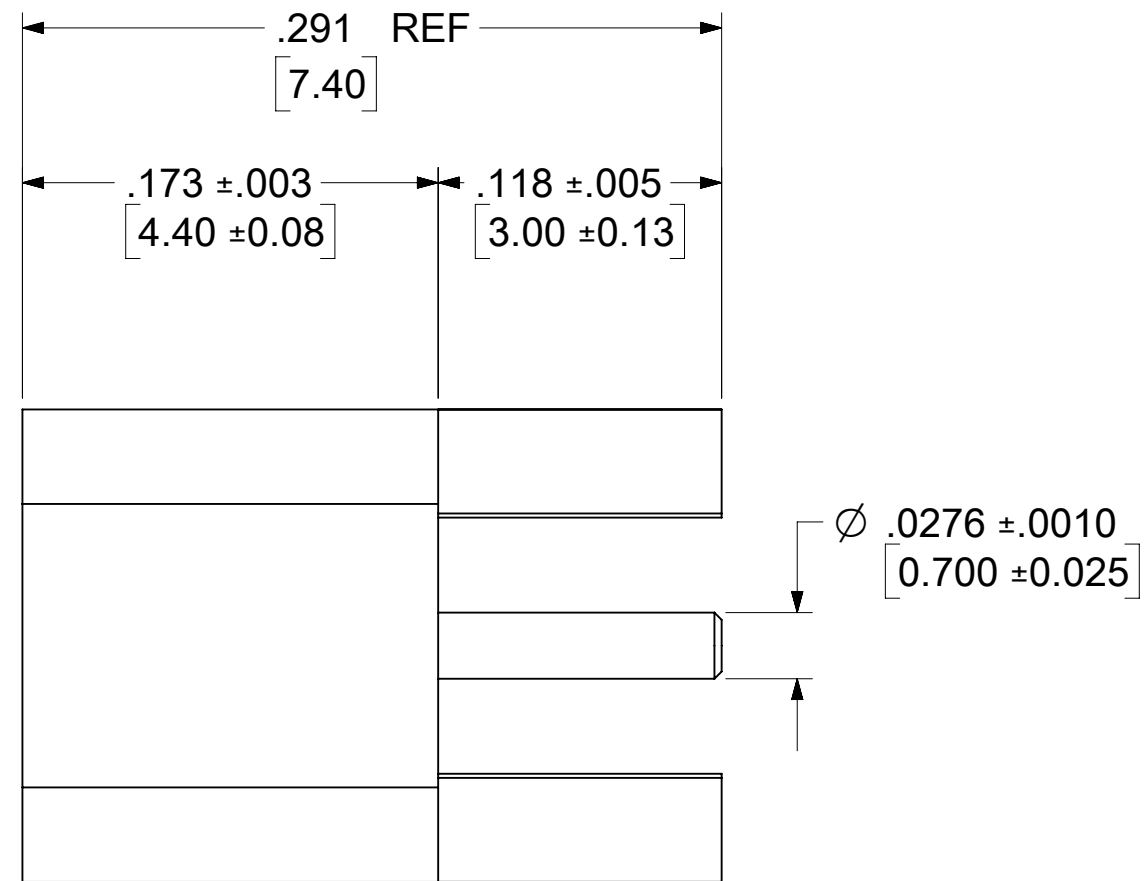
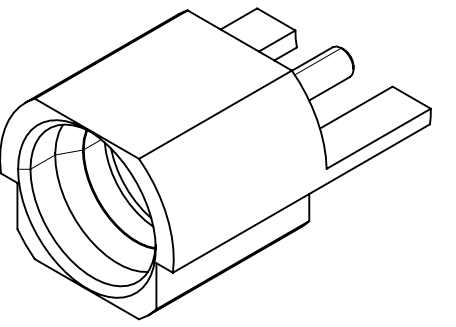


MATERIALS AND FINISHES:

BODY, CENTER CONTACT: BRASS
PLATED GOLD (30μ-in MIN)

INSULATOR: PTFE



RECOMMENDED PCB LAYOUT
NOTE: ADJUST .031 [0.80] AS NEEDED
TO MAINTAIN 50Ω LINE

LABEL FORMAT FOR
73406-6182

PART NUMBER: 73406-6180
ORDER NUMBER: 73406-6182
MOLEX
DATE: YYWW

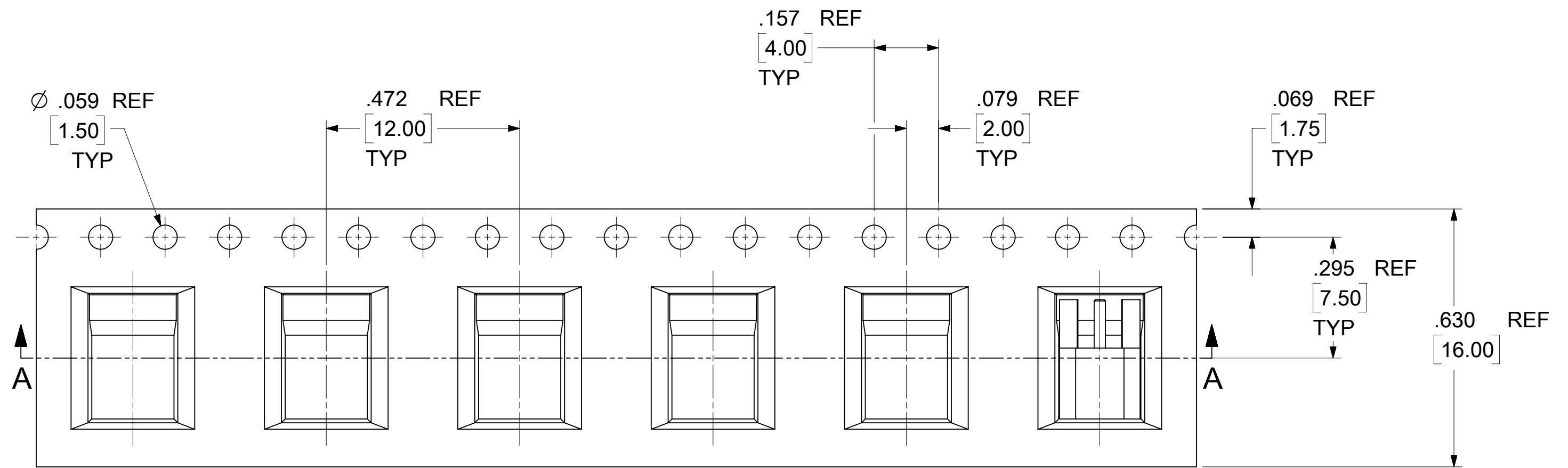
73406-6182	73406-6180 ONE PER BAG	895420470
73406-6181	73406-6180 TAPE AND REEL	SHEET 2 & 3
73406-6180	73406-6180 TRAY	895420040
PART NO.	DESCRIPTION	PACKING SPEC

PS-89675-3320	PRODUCT SPECIFICATION
MIL-STD-348A, FIG. 326-3	INTERFACE
SPECIFICATION	DESCRIPTION

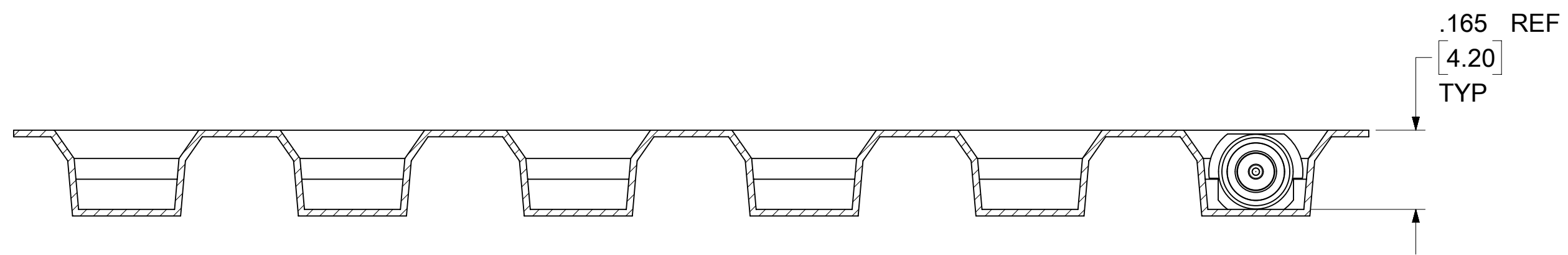
DOCUMENT STATUS	P1	RELEASE DATE	2022/08/26 09:18:47
-----------------	----	--------------	---------------------

THIS DRAWING CONTAINS INFORMATION THAT IS PROPRIETARY TO MOLEX ELECTRONIC TECHNOLOGIES, LLC AND SHOULD NOT BE USED WITHOUT WRITTEN PERMISSION

DIMENSION UNITS INCH/MM	SCALE NTS	CURRENT REV DESC: ADD 73406-6182 PER EWR #15321-B	molex		
GENERAL TOLERANCES (UNLESS SPECIFIED)					
ANGULAR TOL ± 2.0°	EC NO: 719042		PRODUCT CUSTOMER DRAWING		
4 PLACES ±	DRWN: RYEH	2022/08/09	DOCUMENT NUMBER		
3 PLACES ±	CHK'D: YCHENG	2022/08/26	SD-73406-618		
2 PLACES ±	APPR: YCHENG	2022/08/26	DOC TYPE	DOC PART	REVISION
1 PLACE ±	INITIAL REVISION:		PSD	001	A2
0 PLACES ±	DRWN: JLEE02	2009/01/23	SHEET NUMBER		
	APPR: JWIENER	2009/01/23	1 OF 3		
DRAFT WHERE APPLICABLE MUST REMAIN WITHIN DIMENSIONS	THIRD ANGLE PROJECTION	DRAWING C-SIZE	SERIES 73406	MATERIAL NUMBER SEE TABLE	CUSTOMER GENERAL MARKET



VIEWS FOR 73406-6181

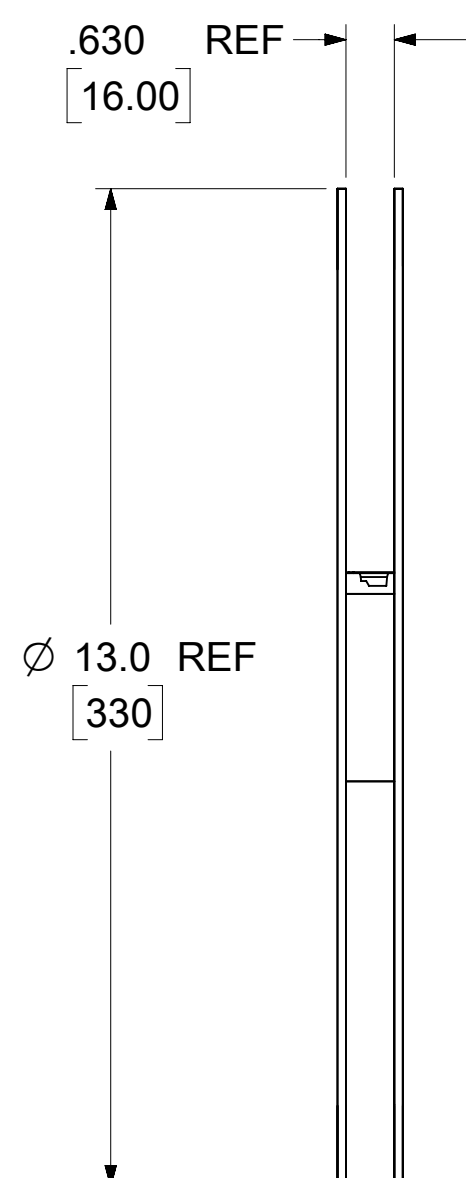


SECTION A-A

THIS DRAWING CONTAINS INFORMATION THAT IS PROPRIETARY TO MOLEX ELECTRONIC TECHNOLOGIES, LLC AND SHOULD NOT BE USED WITHOUT WRITTEN PERMISSION

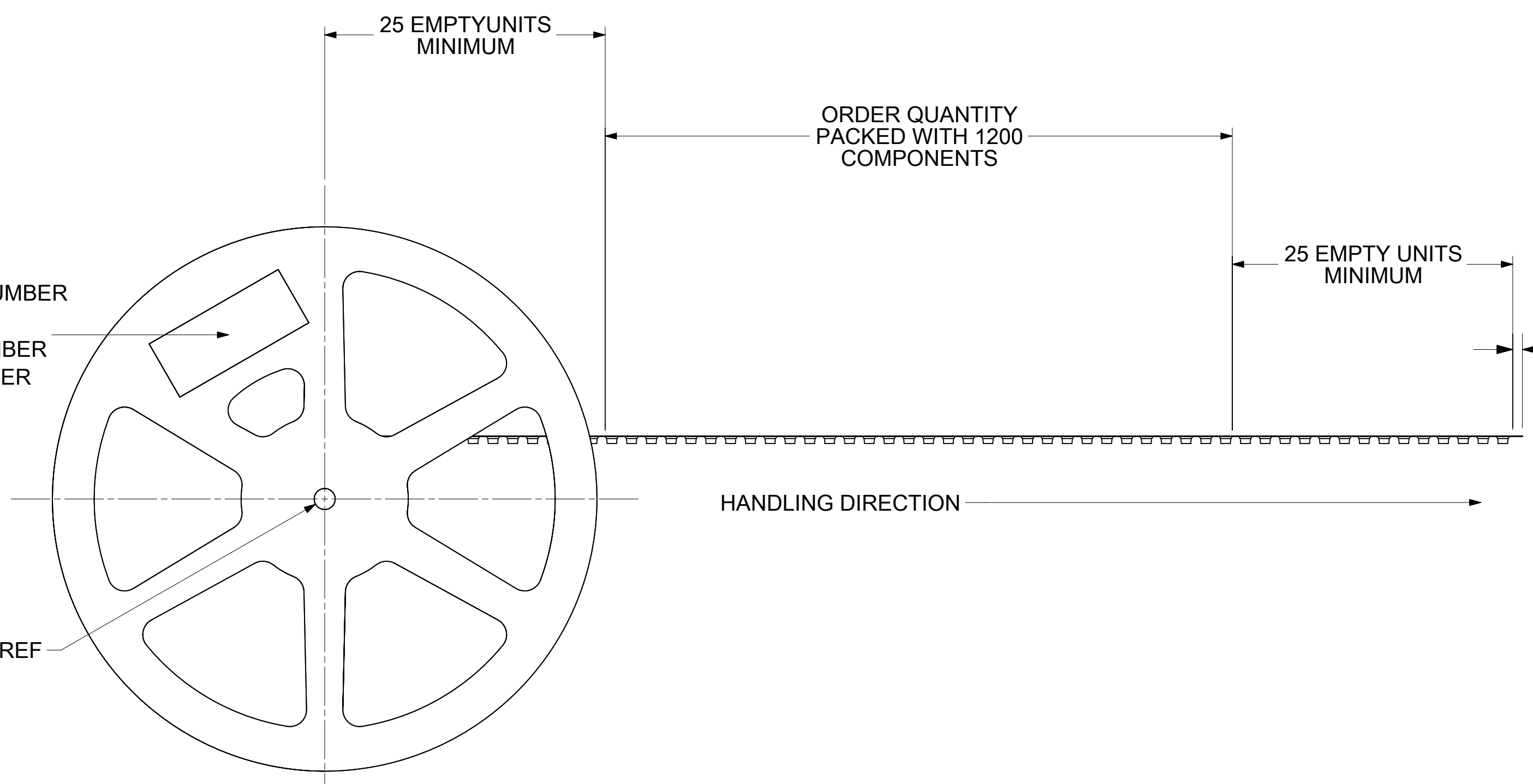
DIMENSION UNITS INCH/MM		SCALE NTS	CURRENT REV DESC: ADD 73406-6182 PER EWR #15321-B		molex			
GENERAL TOLERANCES (UNLESS SPECIFIED)		EC NO: 719042		SMP PLUG, PCB EDGEMOUNT 50 OHMS LIMITED DETENT SMP-P/PCB				
ANGULAR TOL	± 2.0°	DRWN: RYEH		2022/08/09		PRODUCT CUSTOMER DRAWING		
4 PLACES	±	CHK'D: YCHENG		2022/08/26		DOCUMENT NUMBER		
3 PLACES	±	APPR: YCHENG		2022/08/26		SD-73406-618		
2 PLACES	±	INITIAL REVISION:		2009/01/23		DOC TYPE	DOC PART	
1 PLACE	±	DRWN: JLEE02		2009/01/23		PSD	001	
0 PLACES	±	APPR: JWIENER		2009/01/23		REVISION	A2	
DRAFT WHERE APPLICABLE MUST REMAIN WITHIN DIMENSIONS		THIRD ANGLE PROJECTION	DRAWING	SERIES	MATERIAL NUMBER	CUSTOMER	SHEET NUMBER	
			C-SIZE	73406	SEE TABLE	GENERAL MARKET	2 OF 3	

DOCUMENT STATUS	P1	RELEASE DATE	2022/08/26	09:18:47
-----------------	----	--------------	------------	----------

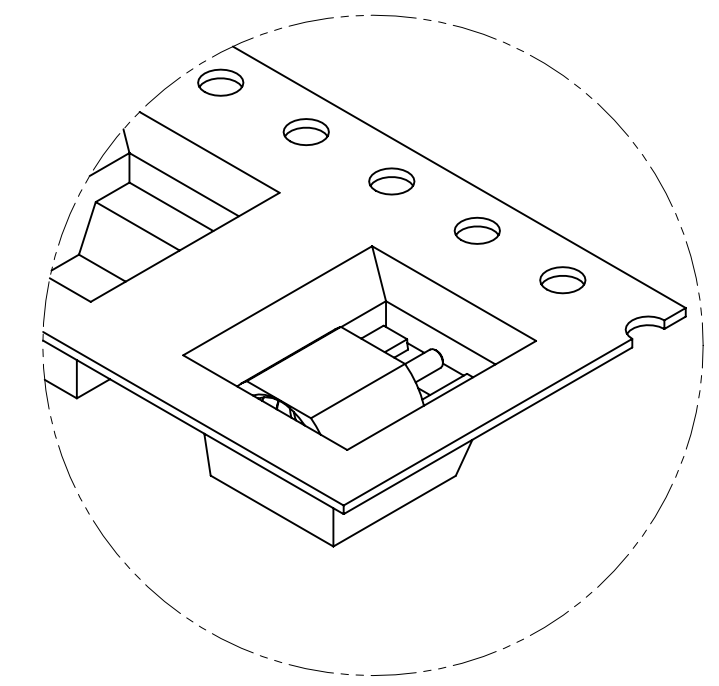
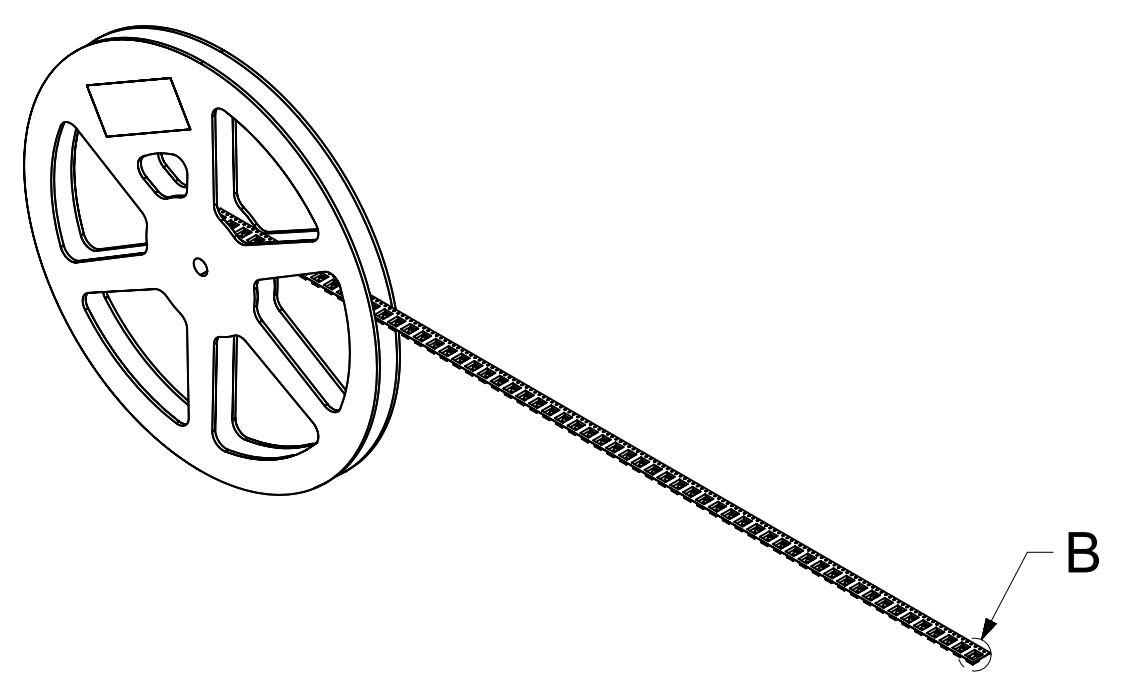


LABEL:
 -ORDER NUMBER
 -QUANTITY
 -PART NUMBER
 -LOT NUMBER

Ø .502 REF [12.75]



VIEWS FOR 73406-6181



DETAIL B

THIS DRAWING CONTAINS INFORMATION THAT IS PROPRIETARY TO MOLEX ELECTRONIC TECHNOLOGIES, LLC AND SHOULD NOT BE USED WITHOUT WRITTEN PERMISSION									
DIMENSION UNITS INCH/MM		SCALE NTS		CURRENT REV DESC: ADD 73406-6182 PER EWR #15321-B				molex	
GENERAL TOLERANCES (UNLESS SPECIFIED)				EC NO: 719042					
ANGULAR TOL ± 2.0°		4 PLACES ±		DRWN: RYEH		2022/08/09		SMP PLUG, PCB EDGEMOUNT 50 OHMS LIMITED DETENT SMP-P/PCB	
3 PLACES ±		2 PLACES ±		CHK'D: YCHENG		2022/08/26		PRODUCT CUSTOMER DRAWING	
1 PLACE ±		0 PLACES ±		APPR: YCHENG		2022/08/26		DOCUMENT NUMBER	
INITIAL REVISION:				DRWN: JLEE02		2009/01/23		SD-73406-618	
APPR: JWIENER				2009/01/23		MATERIAL NUMBER		CUSTOMER	
DRAFT WHERE APPLICABLE MUST REMAIN WITHIN DIMENSIONS		THIRD ANGLE PROJECTION		DRAWING C-SIZE		SERIES 73406		SHEET NUMBER 3 OF 3	

DOCUMENT STATUS	P1	RELEASE DATE	2022/08/26	09:18:47
-----------------	----	--------------	------------	----------