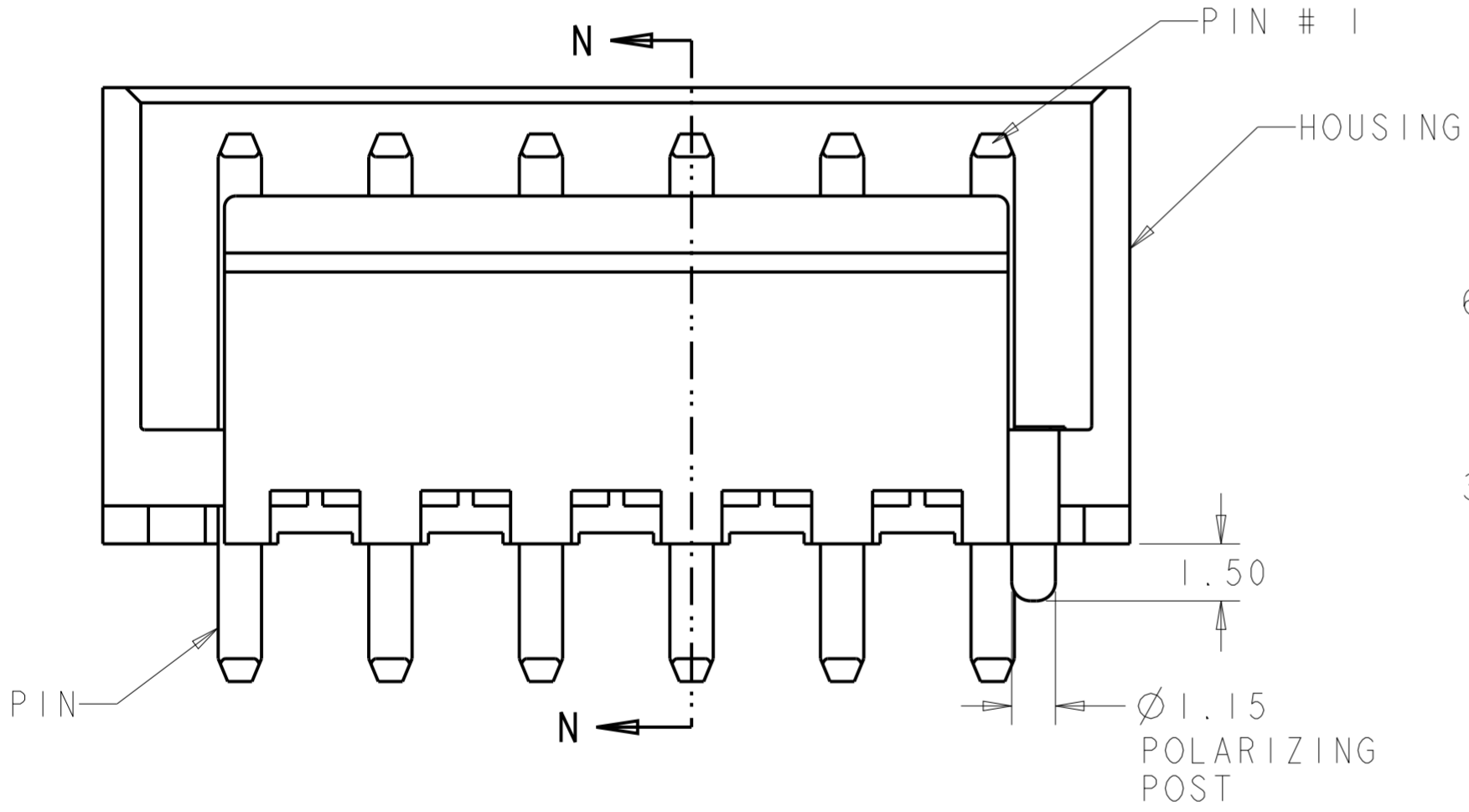
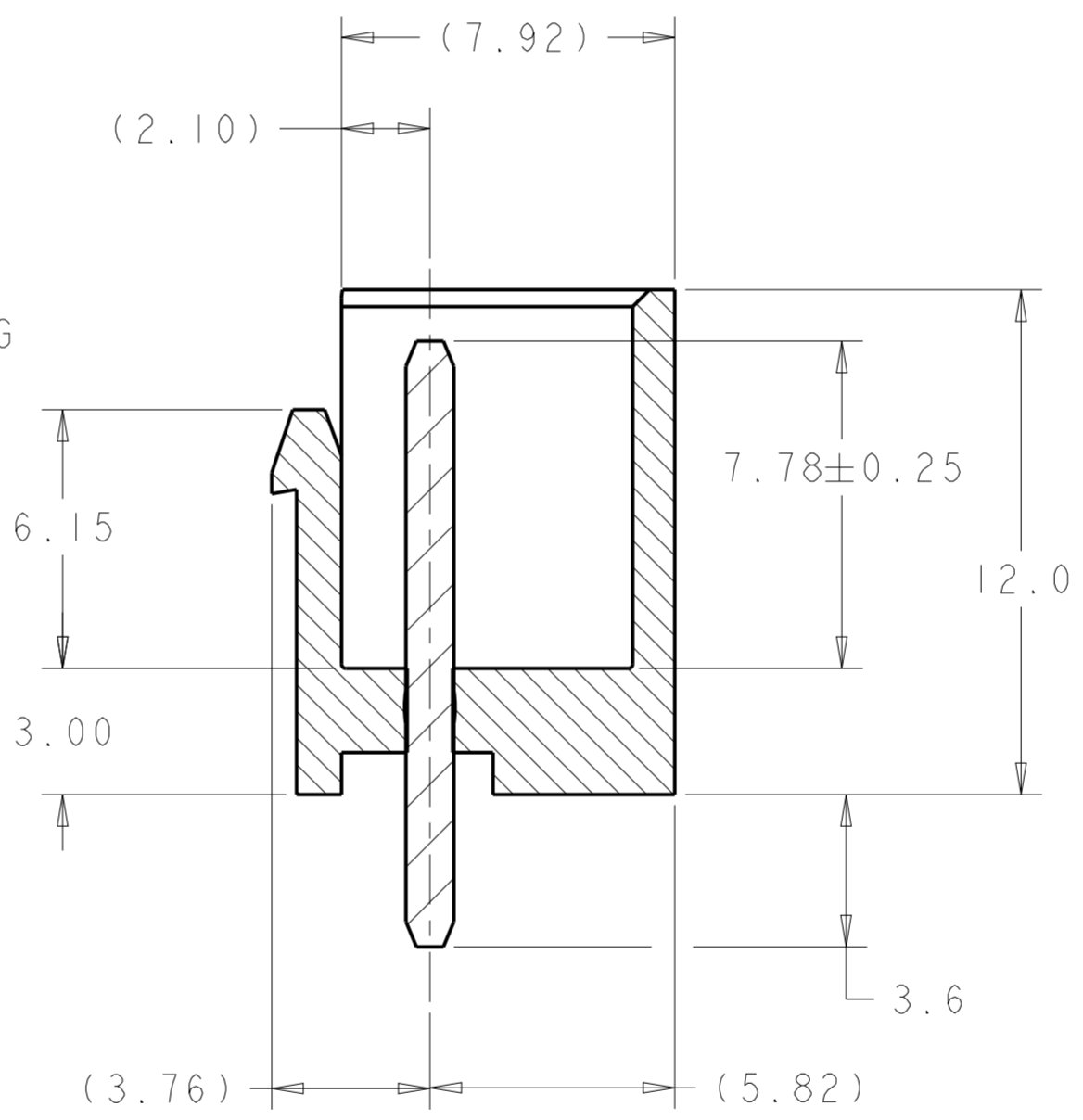
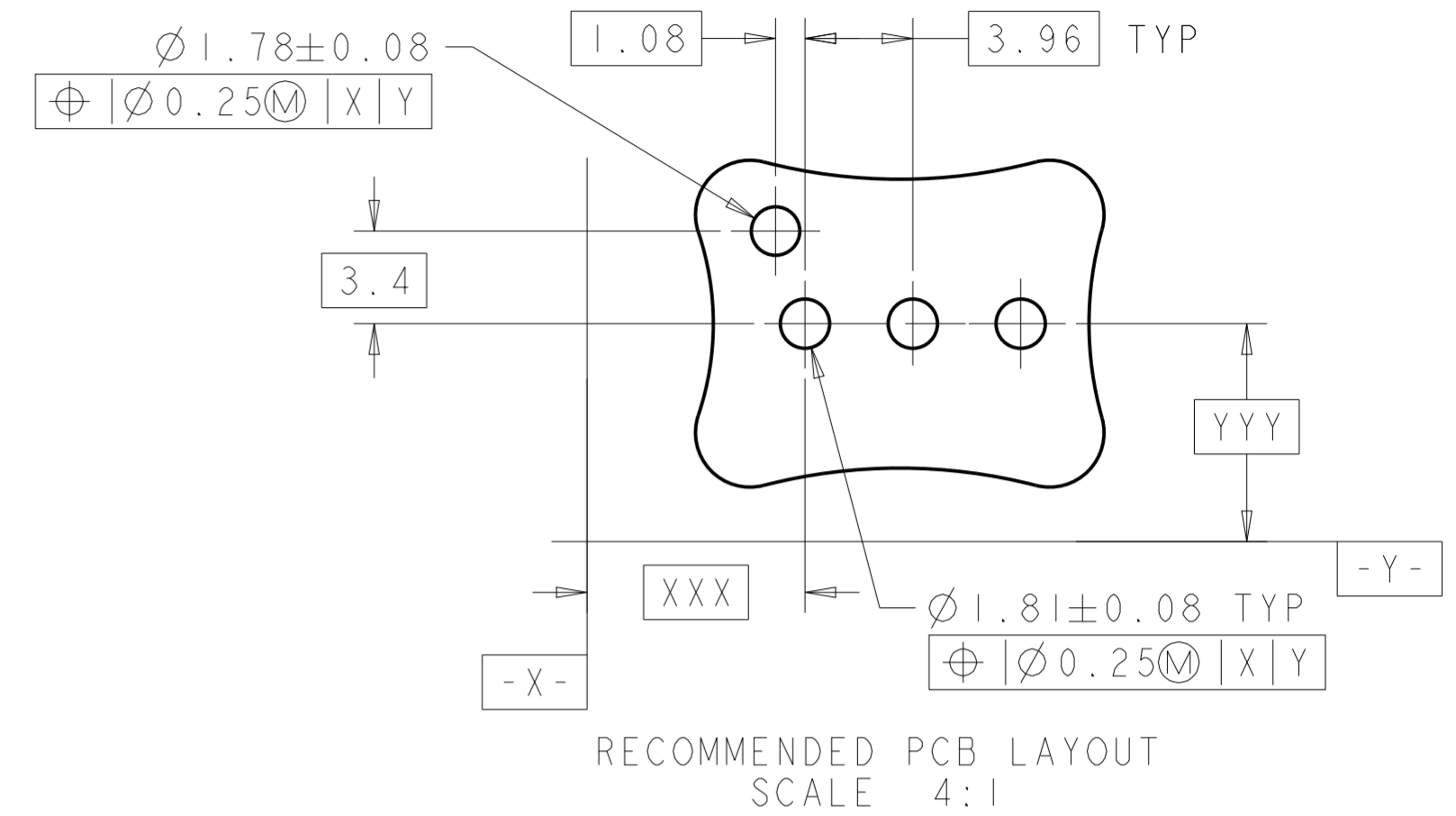
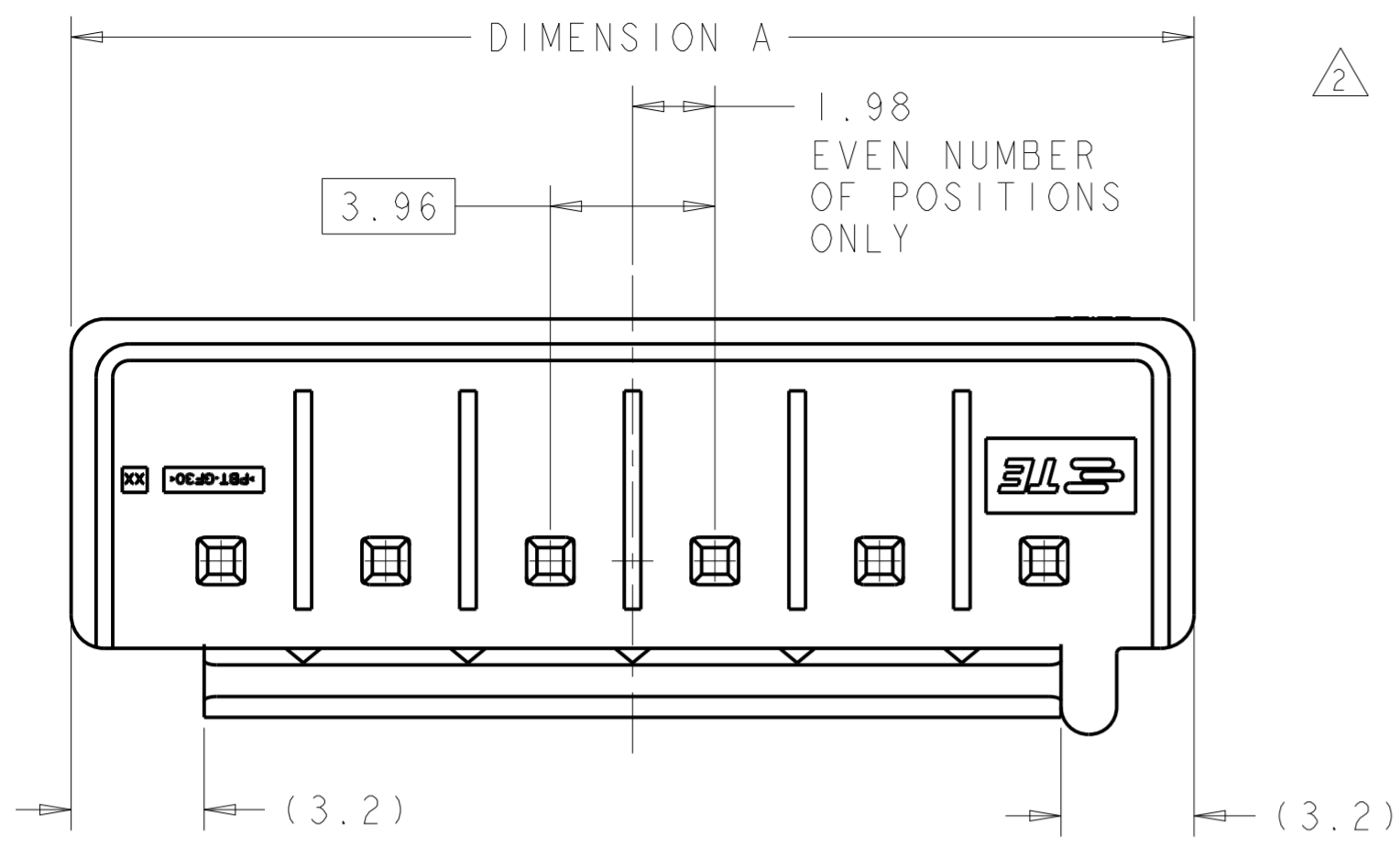


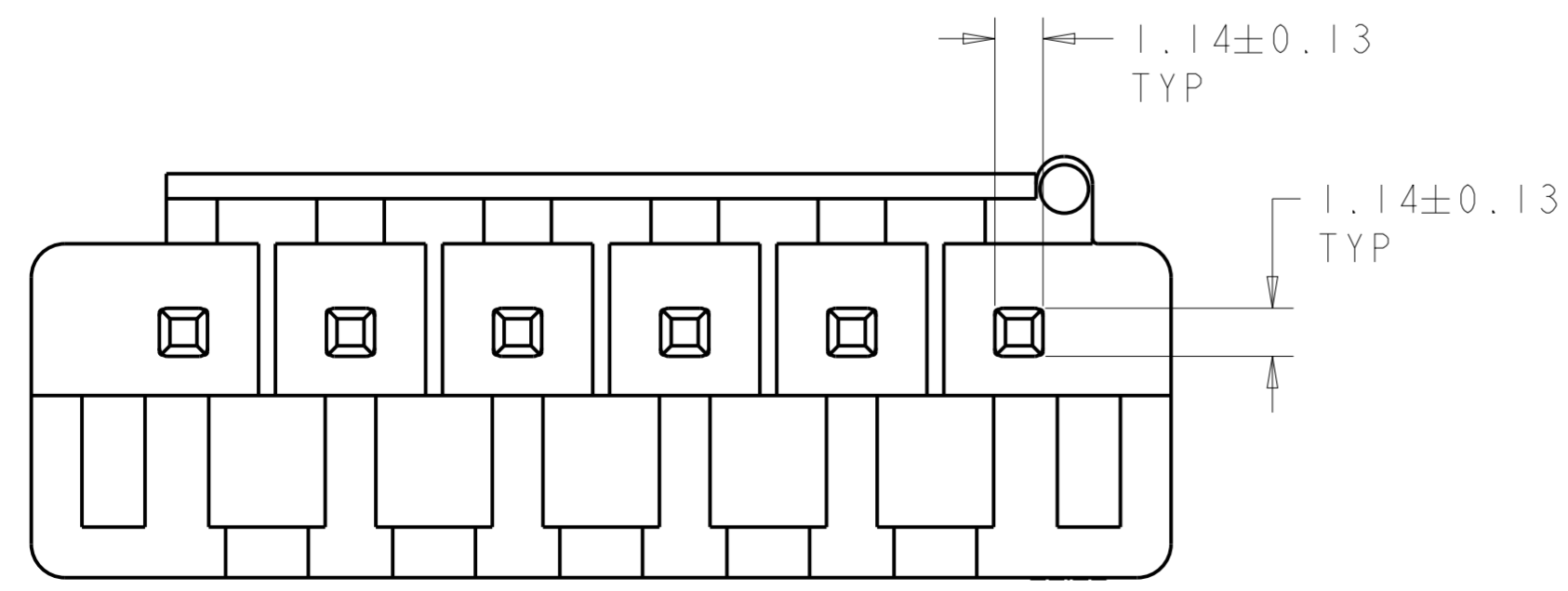
THIS DRAWING IS UNPUBLISHED. RELEASED FOR PUBLICATION 20
 © COPYRIGHT 20 BY - ALL RIGHTS RESERVED.

LOC	DIST	REVISIONS					
GP	00	P	LTR	DESCRIPTION	DATE	DWN	APVD
		A		REVISED PER ECR-14-002687	07MAR2014	NK	TM

1 MATERIAL: HOUSING; PBT GLASS FILLED UL94V-0
 PIN; BRASS
 2 FINISH: PIN, 1.0µm MIN TIN OVER 0.8µm MIN NICKEL.



BLACK	50.77	12	1-1744490-2
BLACK	46.81	11	1-1744490-1
BLACK	42.85	10	1-1744490-0
BLACK	38.89	9	1744490-9
BLACK	34.93	8	1744490-8
BLACK	30.97	7	1744490-7
BLACK	27.01	6	1744490-6
BLACK	23.05	5	1744490-5
BLACK	19.09	4	1744490-4
BLACK	15.13	3	1744490-3
BLACK	11.17	2	1744490-2
COLOR	DIM A	POS	ASSEMBLY PART NO.



THIS DRAWING IS A CONTROLLED DOCUMENT.

DIMENSIONS:	TOLERANCES UNLESS OTHERWISE SPECIFIED:	DWN	25FEB2013	TE Connectivity NAME EP 10P HEADER SHROUD PEG BLACK EP 10P HEADER SHROUD PEG BLACK			
mm	0 PLC ±	CHK	25FEB2013				
	1 PLC ±0.50	APVD	25FEB2013				
	2 PLC ±0.30	PRODUCT SPEC	108-5609				
	3 PLC ±	APPLICATION SPEC	-	SIZE	CAGE CODE	DRAWING NO	RESTRICTED TO
	4 PLC ±	WEIGHT	-	A2	00779	C-1744490	-
MATERIAL	FINISH	Customer Drawing	SCALE	6:1	SHEET	OF	REV
1	2						A