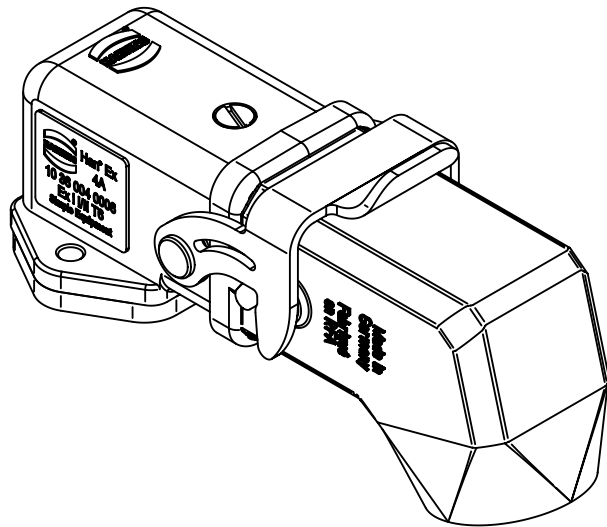
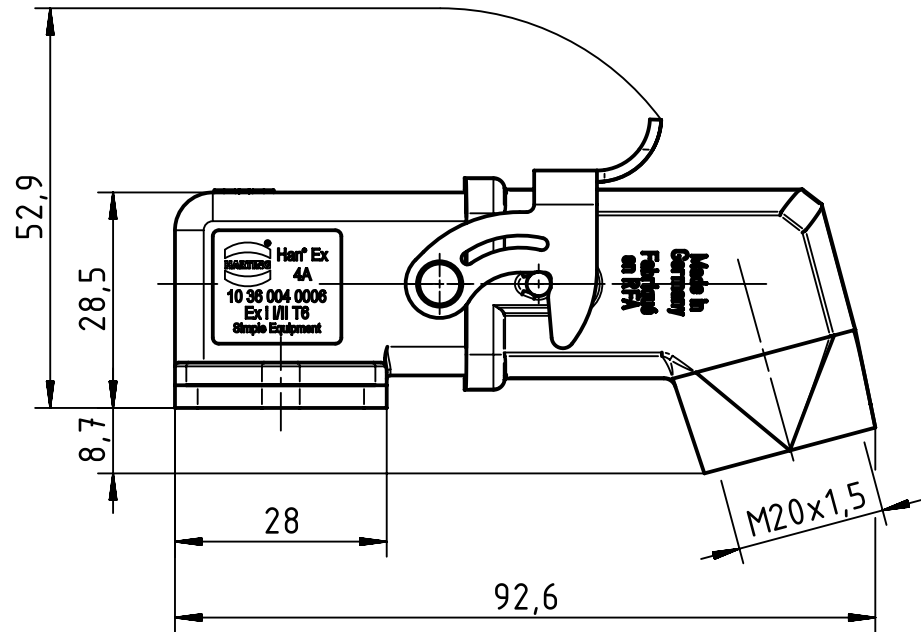
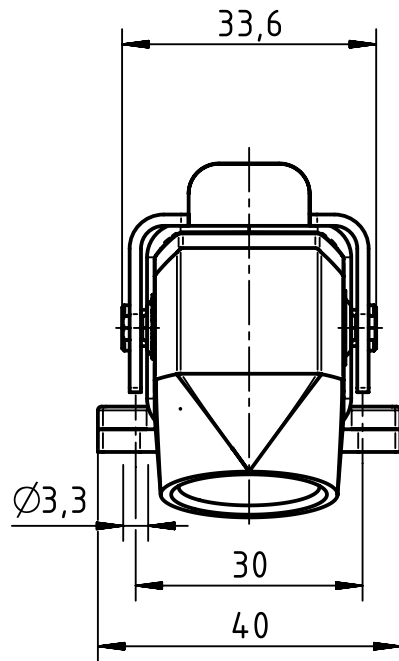
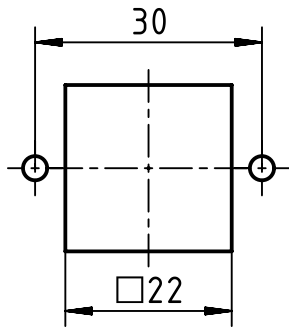


panel cut out



	All Dimensions in mm Original Size DIN A4		Scale 1:1	Free size tol.		Ref.
			Created by HARLASSK	Inspected by MOOR	Standardisation TIEMANNA	Sub.
All rights reserved Department EL PD - DE		Title Han Ex 4A Kit HBM angled/HSE-M20		Date 2015-05-19	State Final Release	Doc-Key / ECM-Nr. 100571982/UGD/002/B 500000089331
HARTING Electric GmbH & Co. KG D-32339 Espelkamp		Type TB	Number 10 36 004 0006		Rev. B	Page 1/1