

TERMSERIES TRZ 230VAC RC 1CO

Weidmüller Interface GmbH & Co. KG
 Klingenbergstraße 16
 D-32758 Detmold
 Germany
 Fon: +49 5231 14-0
 Fax: +49 5231 14-292083
 www.weidmueller.com

Product image



TERMSERIES relay module, complete modules consisting of

a relay and a base with AC/DC/UC coils, available in different versions:

- With screw and tension-clamp connection
- AgNi contact, optionally with hard gold-plated contacts
- 1 and 2 COs
- Optionally with multiple-voltage input: 24...230 V UC
- With various protective circuits in the input (free-wheel diode, RC element)
- Illuminated ejection lever

General ordering data

| | |
|------------|--|
| Type | TRZ 230VAC RC 1CO |
| Order No. | 1122950000 |
| Version | TERMSERIES, Relay module, No. of contacts: 1 CO contact AgNi, Rated control voltage: 230 V AC $\pm 10\%$, Continuous current: 6 A, Tension clamp connection |
| GTIN (EAN) | 4032248904969 |
| Qty. | 10 pc(s). |

TERMSERIES
TRZ 230VAC RC 1CO

Weidmüller Interface GmbH & Co. KG
 Klingenbergstraße 16
 D-32758 Detmold
 Germany
 Fon: +49 5231 14-0
 Fax: +49 5231 14-292083
 www.weidmueller.com

Technical data**Dimensions and weights**

| | | | |
|------------|---------|-----------------|------------|
| Width | 6.4 mm | Width (inches) | 0.252 inch |
| Height | 90.5 mm | Height (inches) | 3.563 inch |
| Depth | 87.8 mm | Depth (inches) | 3.457 inch |
| Net weight | 32.1 g | | |

Temperatures

| | | | |
|-----------------------------|---|-----------------------------|----------------|
| Humidity | 5–95% rel. humidity, $T_u = 40^\circ\text{C}$, no condensation | Operating temperature, max. | 60 °C |
| Operating temperature, min. | -40 °C | Storage temperature, max. | 85 °C |
| Storage temperature, min. | -40 °C | Operating temperature | -40 °C...60 °C |
| Storage temperature | -40 °C...85 °C | | |

Environmental Product Compliance

REACH SVHC Lead 7439-92-1

Rated data UL

| | | | |
|---|--------|------------------------------------|--|
| Ambient temperature (operational), max. | 60 °C | Connection cross-section AWG, min. | AWG 26 |
| Connection cross-section AWG, max. | AWG 14 | Type of conductor | rigid copper conductor, flexible copper conductor |
| Pollution severity level | 2 | | |

Input

| | | | |
|--|-----------------------|---------------------------------------|----------------------|
| Rated control voltage | 230 V AC $\pm 10\%$ | Rated current AC | 8.8 mA |
| Power rating | 2.3 VA | Pull-in/drop-out voltage, typ. | 122 V / 45.5 V AC |
| Pull-in/drop-out current, typ. | 5.5 mA / 2 mA AC | Status indicator | Green LED |
| Protective circuit | Rectifier, RC element | RC filter | 94 Ω / 100 nF |
| Coil voltage of the replacement relay deviating from the rated control voltage | Yes | Coil voltage of the replacement relay | 60 V DC |

Output

| | | | |
|---|--------------|---|---|
| Rated switching voltage | 250 V AC | Max. switching voltage, AC | 250 V |
| Max. switching voltage, DC | 250 V | Continuous current | 6 A |
| Inrush current | 20 A / 20 ms | AC switching capacity (resistive), max. | 1500 VA |
| DC switching capacity (resistive), max. | 144 W @ 24 V | Switch-on delay | ≤ 10 ms |
| Switch-off delay | ≤ 12 ms | Min. switching power | 1 mA @ 24 V, 10 mA @ 12 V, 100 mA @ 5 V |
| Max. switching frequency at rated load | 0.1 Hz | | |

Contact data

| | | | |
|--------------|---------------------|-------------------------|--------------------------------------|
| Contact type | 1 CO contact (AgNi) | Mechanical service life | 5 x 10 ⁶ switching cycles |
|--------------|---------------------|-------------------------|--------------------------------------|

General data

| | | | |
|--------------------------------------|-------|-------------|-------|
| Mounting rail | TS 35 | Test button | No |
| Mechanical switch position indicator | No | Colour | Black |
| UL 94 flammability rating | V-0 | | |

TERMSERIES
TRZ 230VAC RC 1CO

Weidmüller Interface GmbH & Co. KG
 Klingenbergstraße 16
 D-32758 Detmold
 Germany
 Fon: +49 5231 14-0
 Fax: +49 5231 14-292083
 www.weidmueller.com

Technical data
Insulation coordination

| | | | |
|-------------------------------------|------------------------------|--|------------------------------|
| Rated voltage | 300 V | Surge voltage category | III |
| Pollution severity | 2 | Protection degree | IP20 |
| Dielectric strength input – output | 4 kV _{eff} / 1 min. | Creepage and clearance distance input – output | ≥ 5.5 mm |
| Dielectric strength of open contact | 1 kV _{eff} / 1 min | Dielectric strength to mounting rail | 4 kV _{eff} / 1 min. |
| Impulse withstand voltage | 6 kV (1.2/50 µs) | | |

Further details of approvals / standards

| | | | |
|-------------------------|--|-------------------------|------------|
| Standards | EN 50178, EN 55011, EN 61000-6-1, 2, 4 | Certificate No. (DNVGL) | TAA00001E5 |
| Certificate no. (cULus) | E141197 | | |

Connection data

| | | | |
|---|--------------------------|---|----------------------|
| Wire connection method | Tension clamp connection | Stripping length, rated connection | 8 mm |
| Clamping range, rated connection | 1.5 mm ² | Clamping range, min. | 0.14 mm ² |
| Clamping range, max. | 2.5 mm ² | Wire connection cross section AWG, min. | AWG 26 |
| Wire connection cross section AWG, max. | AWG 14 | Wire cross-section, solid, min. | 0.14 mm ² |
| Wire cross-section, solid, max. | 2.5 mm ² | Wire connection cross-section, finely stranded, min. | 0.14 mm ² |
| Wire connection cross section, finely stranded, max. | 2.5 mm ² | Wire cross-section, finely stranded, min. (AWG) | AWG 26 |
| Wire cross-section, finely stranded, max. (AWG) | AWG 14 | Wire connection cross-section, finely stranded with wire-end ferrules DIN 46228/4, min. | 0.14 mm ² |
| Wire connection cross-section, finely stranded with wire-end ferrules DIN 46228/4, max. | 1.5 mm ² | Conductor cross-section, flexible, AEH (DIN 46228-1), min. | 0.14 mm ² |
| Conductor cross-section, flexible, AEH (DIN 46228-1), max. | 1.5 mm ² | Twin wire-end ferrules, min. | 0.5 mm ² |
| Twin wire-end ferrules, max. | 1 mm ² | Blade size | 0.6 x 3.5 mm |
| Gauge to IEC 60947-1 | A1, B1 | | |

Classifications

| | | | |
|------------|-------------|------------|-------------|
| ETIM 5.0 | EC001437 | ETIM 6.0 | EC001437 |
| eClass 6.2 | 27-37-16-01 | eClass 7.1 | 27-37-16-01 |
| eClass 8.1 | 27-37-16-01 | eClass 9.0 | 27-37-16-01 |
| eClass 9.1 | 27-37-16-01 | | |

Product information

| | |
|---------------------------------|---|
| Descriptive text ordering data | Spare relay Type: RSS1 13060 Orderno.: 4061630000 |
| Descriptive text technical data | Accessories and dimensional drawings: refer to the TERMSERIES Accessories page. |

Data sheet**TERMSERIES
TRZ 230VAC RC 1CO****Weidmüller Interface GmbH & Co. KG**
Klingenbergstraße 16
D-32758 Detmold
Germany
Fon: +49 5231 14-0
Fax: +49 5231 14-292083
www.weidmueller.com**Technical data****Approvals**

Approvals



ROHS

Conform

Downloads

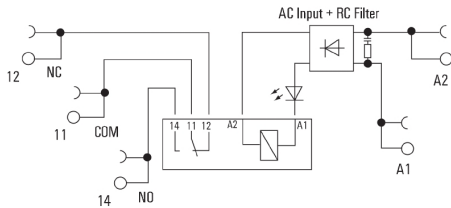
| | |
|---|--|
| Approval/Certificate/Document of Conformity | DE_PA5600_16Q229_001.pdf |
| Brochure/Catalogue | CAT 4.2 ELECTR 18/19 EN |
| Engineering Data | EPLAN_WSCAD_Zuken E3.S |
| Engineering Data | STEP |
| User Documentation | Operating Instructions |

**TERMSERIES
TRZ 230VAC RC 1CO**

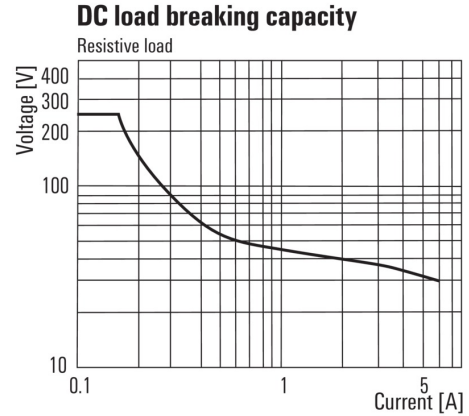
Weidmüller Interface GmbH & Co. KG
 Klingenbergstraße 16
 D-32758 Detmold
 Germany
 Fon: +49 5231 14-0
 Fax: +49 5231 14-292083
 www.weidmueller.com

Drawings

Wiring diagram

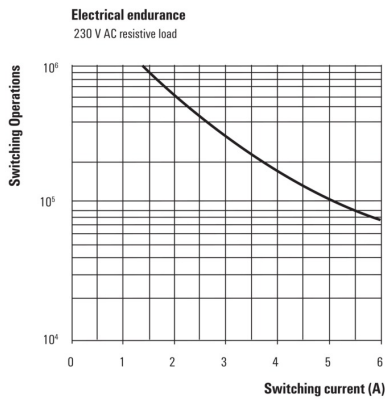


Graph



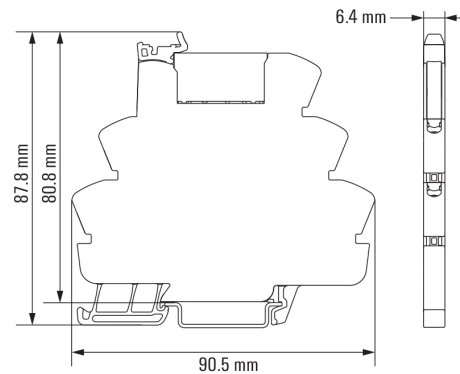
DC load limit curve

Graph



Electrical service life 230 V AC resistive load
230 V AC resistive load

Dimensional drawing

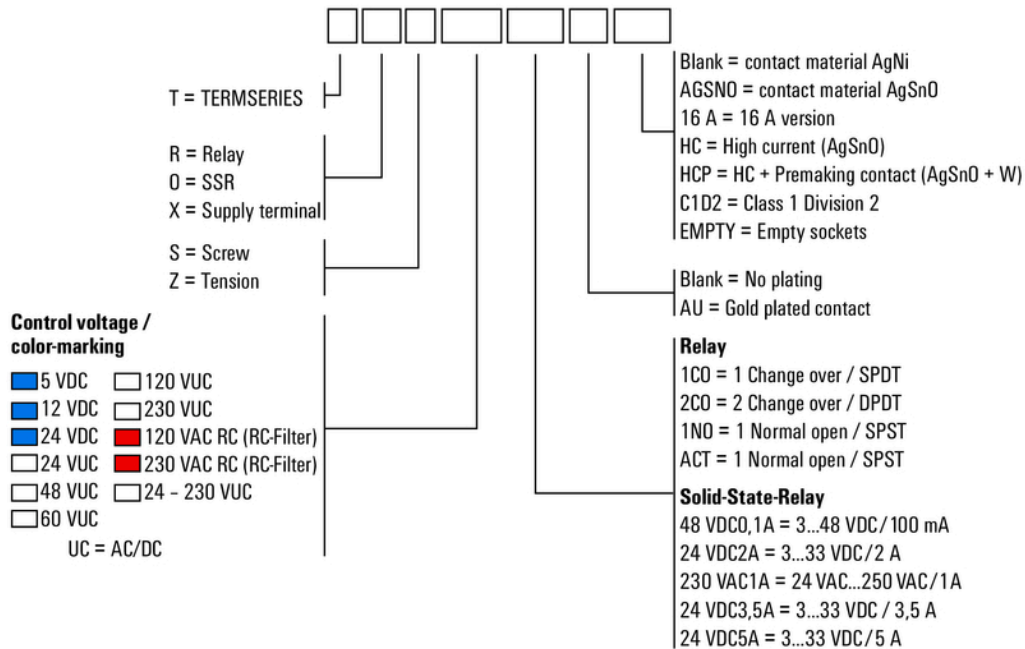


**TERMSERIES
TRZ 230VAC RC 1CO**

Weidmüller Interface GmbH & Co. KG
 Klingenbergstraße 16
 D-32758 Detmold
 Germany
 Fon: +49 5231 14-0
 Fax: +49 5231 14-292083
 www.weidmueller.com

Drawings

Miscellaneous



Type codes