

TABLE 1

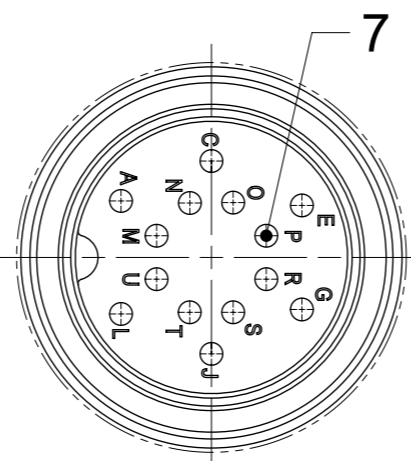
MOLEX PN	ENG. NO.	LED
1202470065	BNBA01P-FBC	YES

TABLE 2 BILL OF MATERIAL

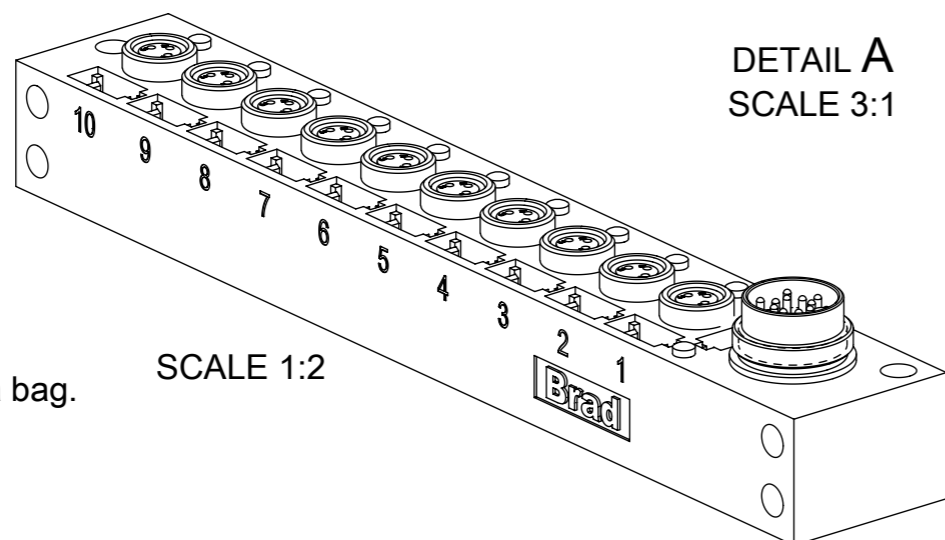
ITEM	DESCRIPTION	MATERIAL	FINISH
1	INSERT	TPU	BLACK
2	CONTACT	COPPER ALLOY	GOLD OVER NICKEL
3	O-RING	VITON	RED
4	RECEPTACLE SHELL	BRASS	NICKEL PLATED
5	HOUSING	PBT	BLACK
6	SHELL	BRASS	NICKEL PLATED
7	CONTACT	COPPER ALLOY	GOLD OVER NICKEL
8	LED	NO LED = PA	BLACK
		WITH LED = PA	TRANSPARENT
9	RESIN	EPOXY	TRANSPARENT
10	LABEL	ABS	WHITE
11	LABEL ADHESIVE	PE	WHITE

GENERAL CHARACTERISTICS:

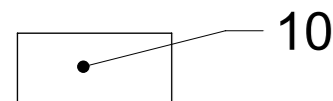
NOMINAL VOLTAGE: 24 V DC
 RATED CURRENT: 2 A PER PORT / 6 A MAX: TOTAL
 IP DEGREE OF PROTECTION: IP 67
 TEMPERATURE RANGE: -25°C to + 85°C



DETAIL A
SCALE 3:1

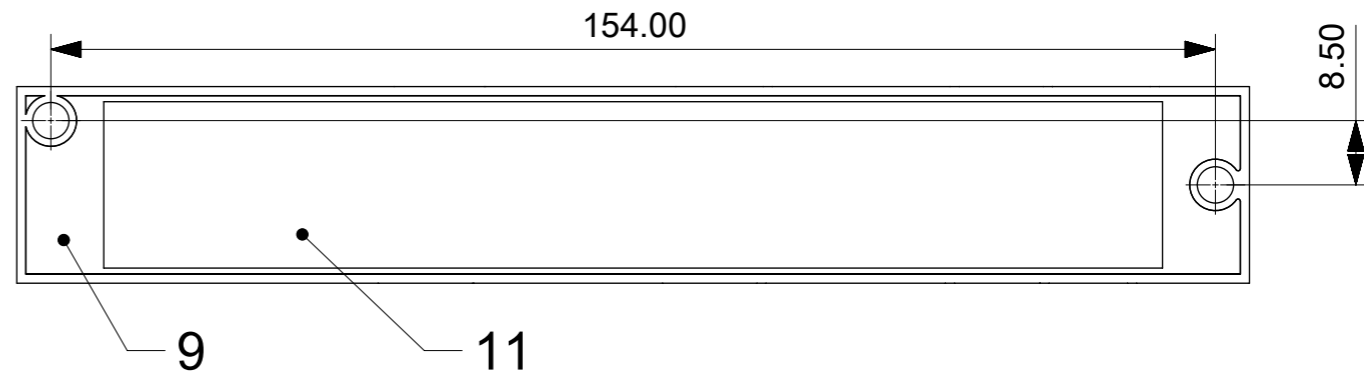
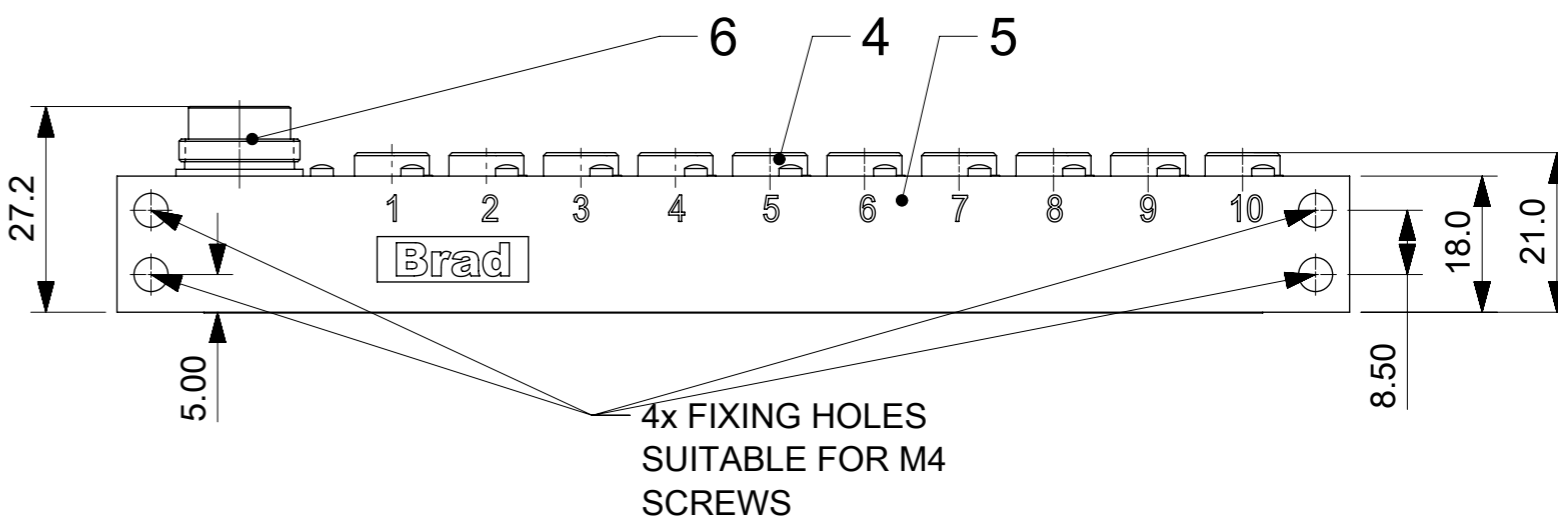
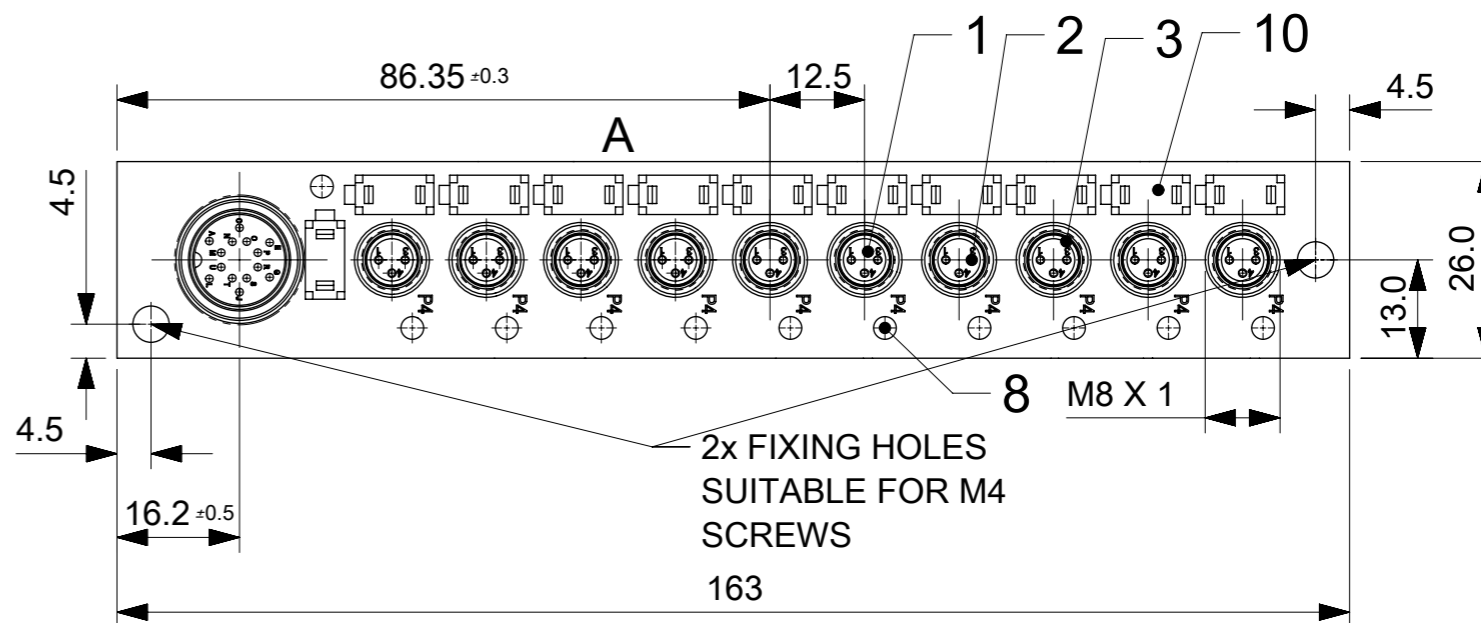


SCALE 1:2



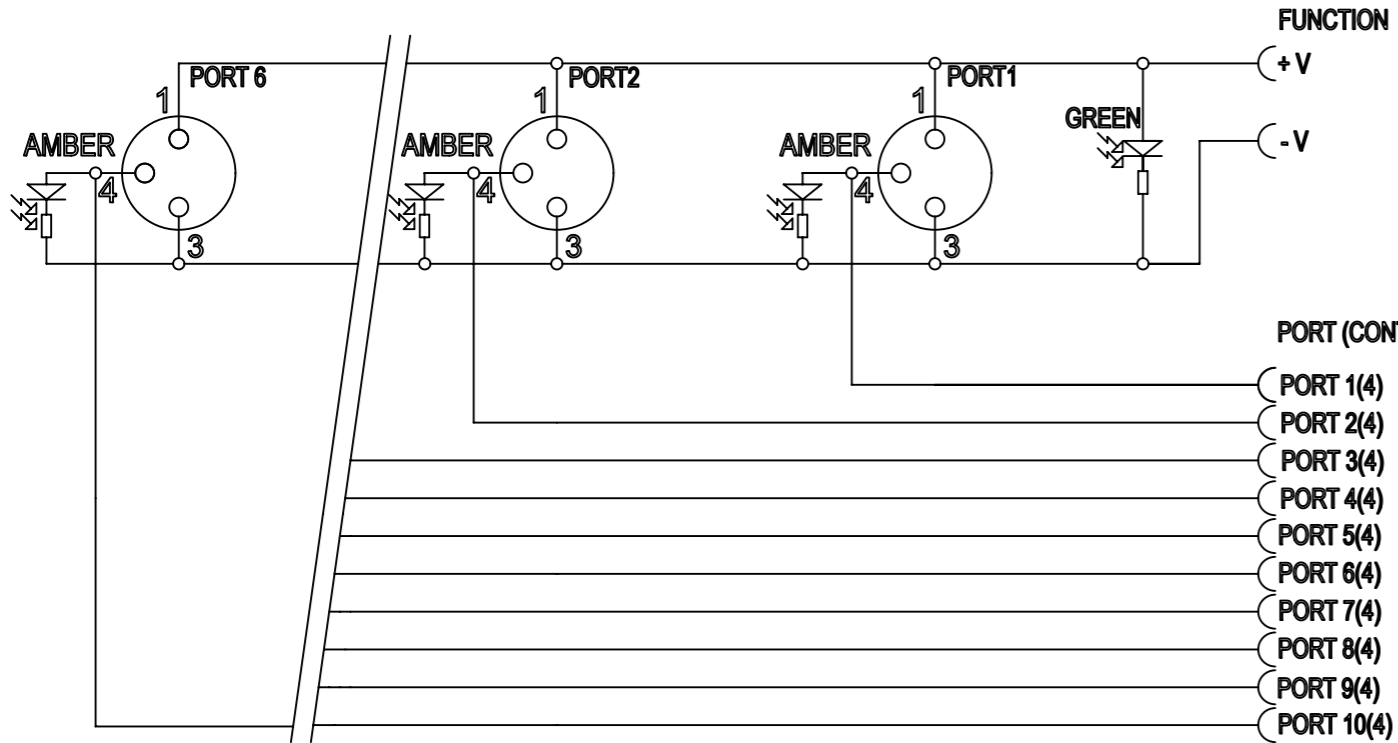
LABEL
11x packed in a bag.

SCALE 2:1



THIS DRAWING CONTAINS INFORMATION THAT IS PROPRIETARY TO MOLEX INCORPORATED AND SHOULD NOT BE USED WITHOUT WRITTEN PERMISSION														
EC DESCRIPTION EC NO: 100833 DRWN: AAHLERS CHK'D: RSILLER APPR: RSILLER	2015/07/29	2015/08/27	2015/08/27	QUALITY SYMBOLS ▽ = 0 ▽ = 0 ▽ = 0 ▽ = 0 ▽ = 0 ▽ = 0 ▽ = 0 ▽ = 0 ▽ = 0 ▽ = 0	GENERAL TOLERANCES (UNLESS SPECIFIED)		DIMENSION UNITS	SCALE						
	mm		1:1		DRWN BY		DATE							
	4 PLACES ±		AAHLERS		2015/07/21		CHK'D BY		DATE		MPIS M8 PNP 3P 10PT 14P M16 BK SINGLE			
	3 PLACES ±		RSILLER		2015/07/23		APPR BY		DATE		PRODUCT CUSTOMER DRAWING			
2 PLACES ± 0.2		RSILLER		2015/07/23		DRAWING SIZE		THIRD ANGLE PROJECTION		SERIES	MATERIAL NUMBER	CUSTOMER		
1 PLACE ± 0.3		RSILLER		2015/07/23		A3		THIRD ANGLE PROJECTION		120247	SEE TABLE 1	GENERAL MARKET		
0 PLACES ± 0.5		RSILLER		2015/07/23		A3		THIRD ANGLE PROJECTION		DOCUMENT NUMBER		DOC TYPE	DOC PART	SHEET NUMBER
DRAFT WHERE APPLICABLE MUST REMAIN WITHIN DIMENSIONS		RSILLER		2015/07/23		A3		THIRD ANGLE PROJECTION		1202470065		PSD	000	1 OF 2

Wiring Diagram Single PNP



THIS DRAWING CONTAINS INFORMATION THAT IS PROPRIETARY TO MOLEX INCORPORATED AND SHOULD NOT BE USED WITHOUT WRITTEN PERMISSION

EC DESCRIPTION EC NO: 100833 DRWN: AAHLERS CHK'D: RSILLER APPR: RSILLER	2015/07/29 2015/08/27 2015/08/27	QUALITY SYMBOLS ∇ = 0 ∇ = 0 ∇ = 0 ▼ = 0 ∇ = 0 ☒ = 0 ■ = 0 ∇ = 0	GENERAL TOLERANCES (UNLESS SPECIFIED)		DIMENSION UNITS mm	SCALE 1:1							
	DRWN BY AAHLERS		DATE 2015/07/21		CHK'D BY RSILLER						DATE 2015/07/23		MPIS M8 PNP 3P 10PT 14P M16 BK SINGLE
	APPR BY RSILLER		DATE 2015/07/23		DRAWING SIZE A3		THIRD ANGLE PROJECTION		PRODUCT CUSTOMER DRAWING				
	DRAFT WHERE APPLICABLE MUST REMAIN WITHIN DIMENSIONS		0 PLACES ± 0.5		DRWN BY AAHLERS		DATE 2015/07/21		SERIES 120247	MATERIAL NUMBER SEE TABLE 1	CUSTOMER GENERAL MARKET		
A1	REV	MUST REMAIN WITHIN DIMENSIONS		DRAFT WHERE APPLICABLE MUST REMAIN WITHIN DIMENSIONS		DRWN BY AAHLERS		DATE 2015/07/21		DOCUMENT NUMBER 1202470065	DOC TYPE PSD	DOC PART 000	SHEET NUMBER 2 OF 2