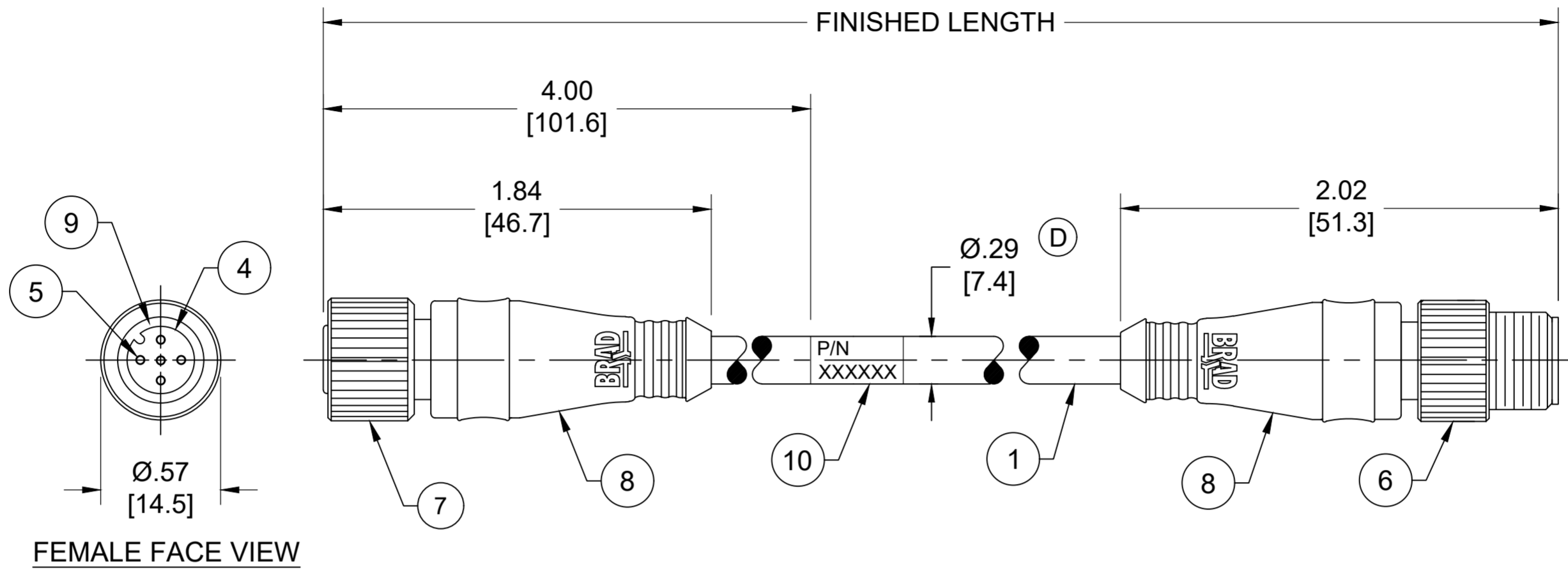
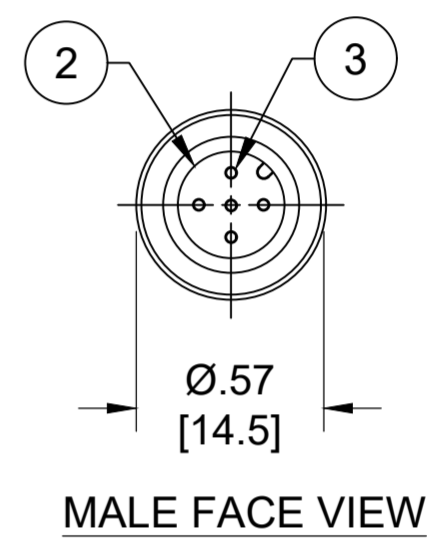
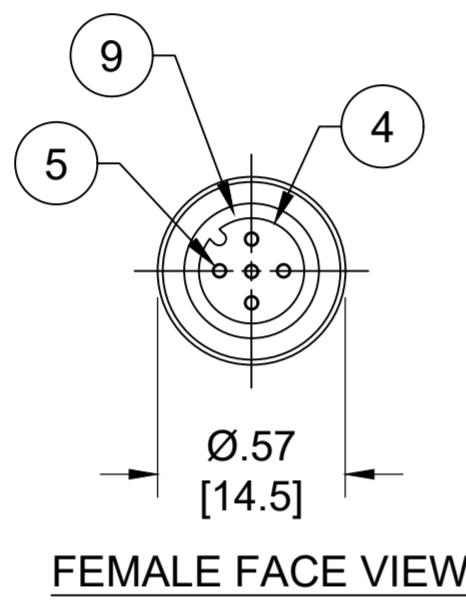




| MATERIAL NUMBER | ENGINEERING NUMBER | FINISHED LENGTH  |
|-----------------|--------------------|------------------|
| 1300280021      | DND22A-M002        | 0.2M [8 IN]      |
| 1300280050      | DND22A-M200        | 20M [65FT 7 IN]  |
| 1300280055      | DND22A-M400        | 40M [131FT 3 IN] |



- NOTES:
- MATERIAL: AS NOTED
  - FINISH: AS NOTED
  - ELECTRICAL:  
VOLTAGE : 250V AC/DC (D)  
CURRENT: 4A
  - TEMP RATING: -20° TO +80°C
  - PROTECTION: IP67 (WHEN MATED)
  - COUPLING THREAD: M12X1
  - UL LISTED FILE: E152210  
CSA CERTIFIED FILE: LR6837
  - ALL DIMENSIONS ARE FOR REFERENCE  
UNLESS TOLERACED OR NOTED OTHERWISE



### PART NUMBER LEGEND

**DND22A-M005**

FINISHED LENGTH:  
M005= 0.5 METER  
M010= 1 METER  
M100= 10 METER



| 10   | WRAP LABEL          | VINYL         | BLACK/YELLOW     |
|------|---------------------|---------------|------------------|
| 9    | O-RING              | NITRILE       | RED              |
| 8    | OVERMOLD            | TPC           | GRAY             |
| 7    | FEMALE COUPLING NUT | ZINC DIE CAST | BLACK E-COATED   |
| 6    | MALE COUPLING NUT   | ZINC DIE CAST | BLACK E-COATED   |
| 5    | CONTACT SOCKET      | COPPER ALLOY  | GOLD OVER NICKEL |
| 4    | FEMALE INSERT       | NYLON 6/6     | BLACK            |
| 3    | CONTACT PIN         | COPPER ALLOY  | GOLD OVER NICKEL |
| 2    | MALE INSERT         | NYLON 6/6     | BLACK            |
| 1    | CABLE #22 AWG       | PVC           | GRAY             |
| ITEM | COMPONENT           | MATERIAL      | FINISH           |

(D)  
(D)

### SCHEMATIC



(D)

| CABLE LENGTH TOLERANCES  |                         |
|--------------------------|-------------------------|
| <.3M [1FT]:              | +19mm-0 [ +.75in-0]     |
| .3 - .9M [1 - 3FT]:      | +44.5mm-0 [+1.75in-0]   |
| .9 - 1.8M [3 - 6FT]:     | +55.6mm-0 [+2.19in-0]   |
| 1.8 - 3.7M [6 - 12FT]:   | +88.9mm-0 [+3.50in-0]   |
| 3.7 - 7.3M [12 - 24FT]:  | +165.1mm-0 [+6.50in-0]  |
| 7.3-14.6M [24 - 48FT]:   | +317.5mm-0 [+12.50in-0] |
| 14.6 - 30.5M [48-100FT]: | +622.3mm-0 [+24.50in-0] |
| OVER 30M [100FT]         | +2% OF FINISHED LENGTH  |

|  |                                       |   |        |  |                           |
|--|---------------------------------------|---|--------|--|---------------------------|
| FUNCTIONAL SYMBOLS                                   |                                       | THIS DRAWING CONTAINS INFORMATION THAT IS PROPRIETARY TO MOLEX ELECTRONIC TECHNOLOGIES, LLC AND SHOULD NOT BE USED WITHOUT WRITTEN PERMISSION |        | CURRENT REV DESC: ITEM #8 WAS PVC. VOLTAGE WAS 250V. ADDED O-RING ITEM #9, CABLE DIA & TOL CHART. MODIFIED PN TABLE. |                           |
| FA=0   | DIMENSION UNITS                       | INCH/MM   | SCALE  | NTS  | EC NO: 704134             |
|  | GENERAL TOLERANCES (UNLESS SPECIFIED) | mm  |        | INCH   |                           |
| FC=0   | 4 PLACES                              | ±----   | ±----  |  | 2022/04/27                |
|  | 3 PLACES                              | ±----   | ±----  |  | CHK'D: RSTONE             |
| FP=0   | 2 PLACES                              | ±----   | ±----  |  | 2022/05/04                |
|  | 1 PLACE                               | ±----   | ±----  |  | APPR: BWOODMAN            |
| DIVISIONAL SYMBOLS                                   | 0 PLACES                              | ±----   | ±----  |  | INITIAL REVISION:         |
|  | ANGULAR TOL ± ---- °                  |   |        |  | DRWN: BWOODMAN 2009/03/13 |
| DRAFT WHERE APPLICABLE MUST REMAIN WITHIN DIMENSIONS | THIRD ANGLE PROJECTION                | DRAWING   |        | SERIES   | 2009/03/31                |
|  |                                       | C-SIZE  | 130028 | MATERIAL NUMBER  | SEE CHART                 |
| CUSTOMER   |                                       | GENERAL MARKET  |        | DOC TYPE/DOC PART  | PSD 001                   |
| SHEET NUMBER   |                                       | 1 OF 1  |        | DOCUMENT NUMBER  |                           |
| SD-130028-001  |                                       | E   |        | REVISION   |                           |