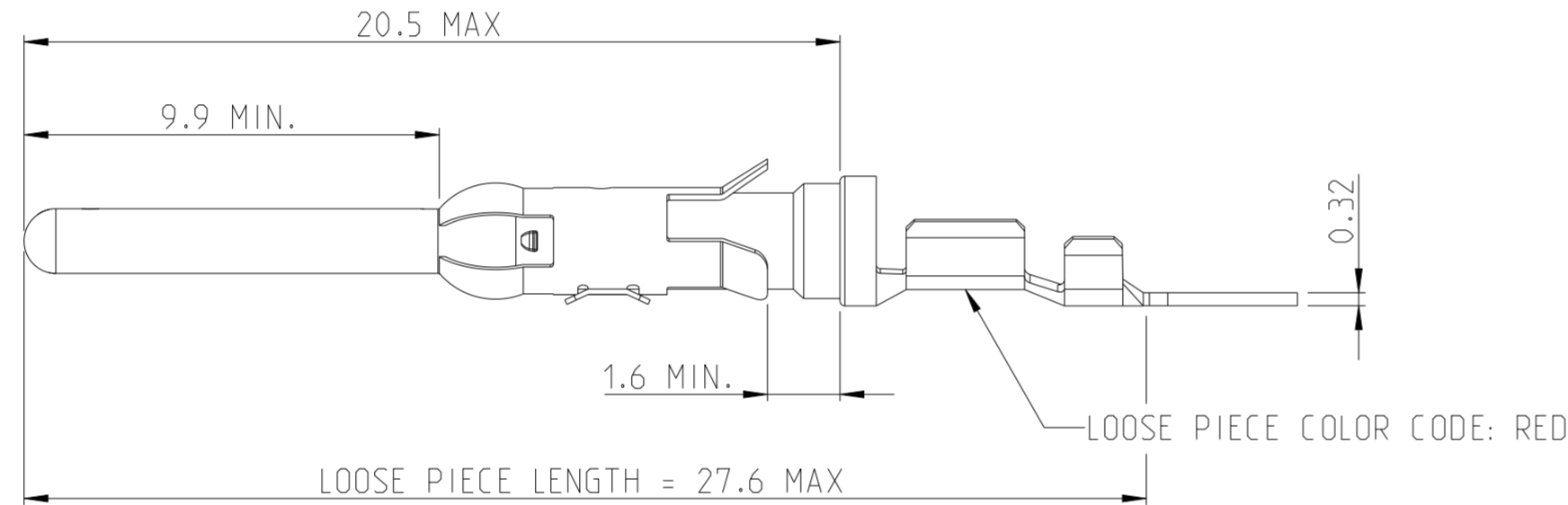
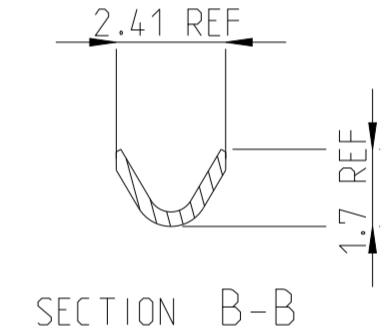
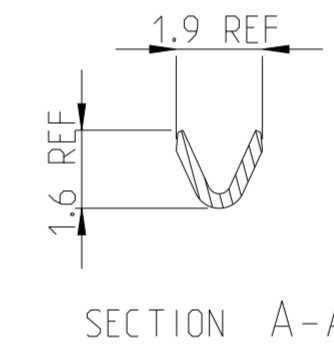
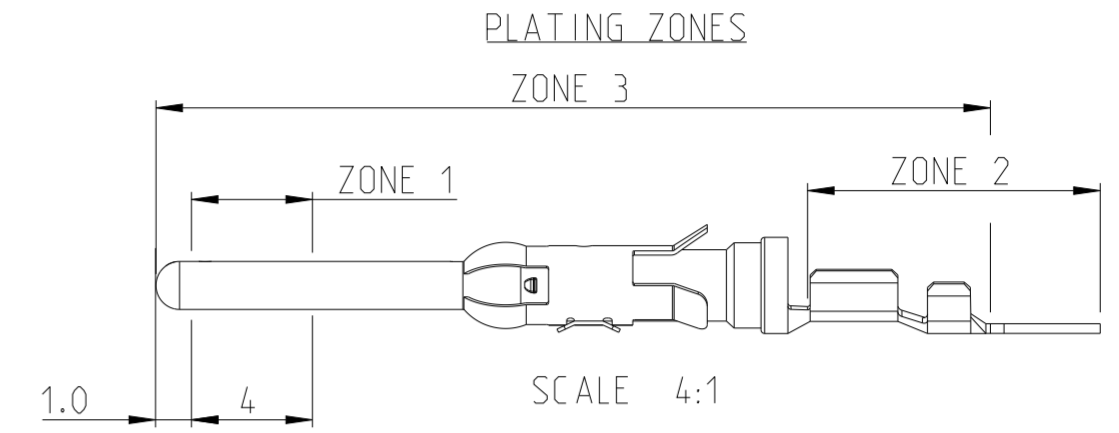
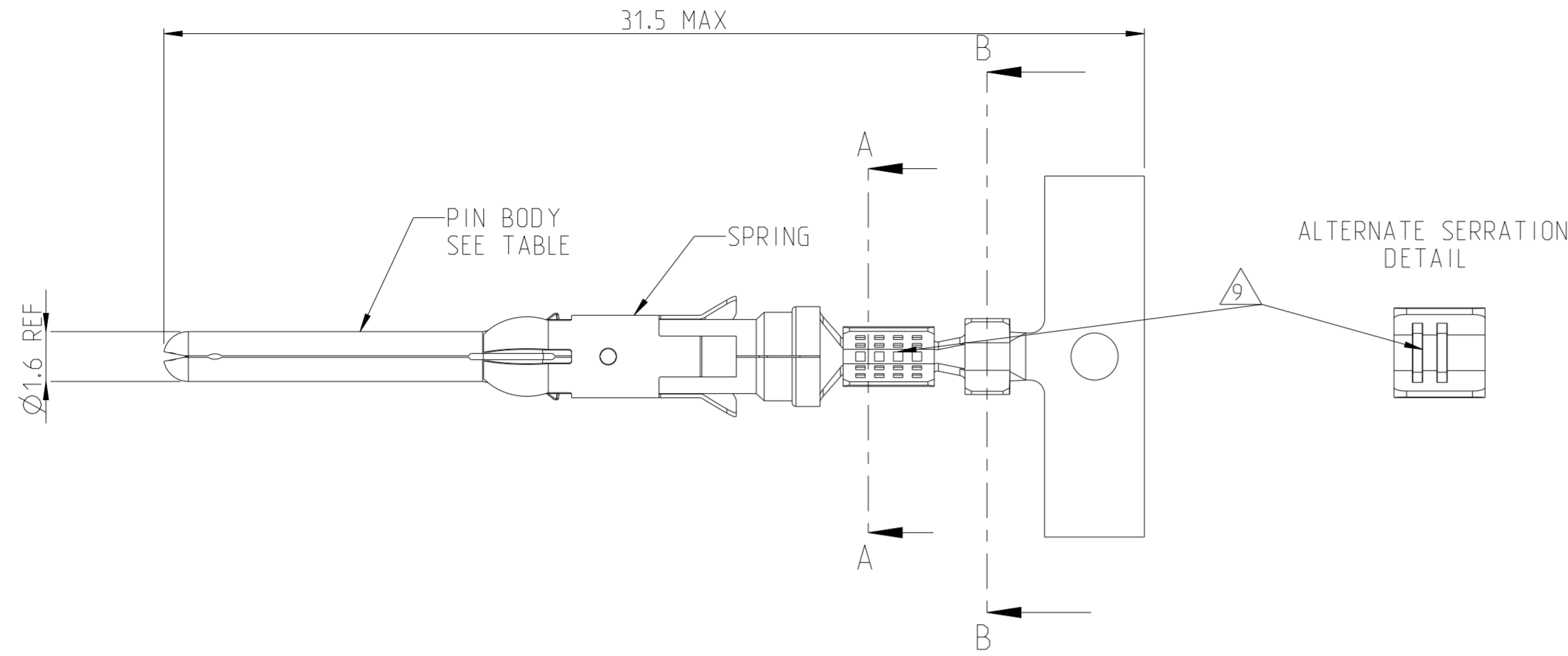


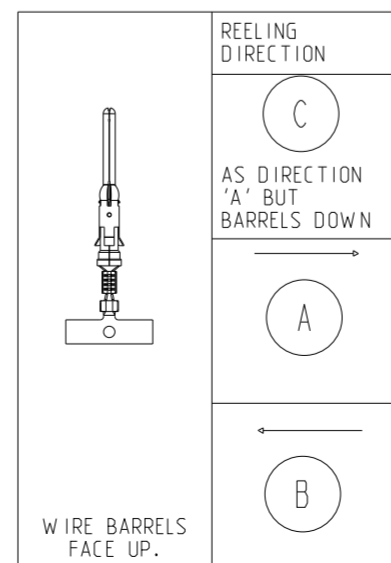
THIS DRAWING IS UNPUBLISHED. RELEASED FOR PUBLICATION 2011
 © COPYRIGHT 2011 ALL RIGHTS RESERVED.

LOC	DIST	REVISIONS					
		P	LTR	DESCRIPTION	DATE	DWN	APVD
B	-	AB		ECO-21-006957	25JUN2021	RK	MZ



NOTES

- 1 1.27 MICRON MIN NICKEL PLATE OVER ZONE 3.
0.76 MICRON MIN PRECIOUS METAL PLATE OVER ZONE 1.
1 MICRON MIN TIN PLATE OVER ZONE 2.
(CONFORMS TO THE REQUIREMENTS OF TE CONNECTIVITY PRODUCT SPEC 108-10042
BASED ON EIA/ECA-364-1000.01A (CONTROLLED ENVIRONMENT APPLICATIONS)
- 2 1.27 MICRON MIN NICKEL PLATE OVER ZONE 3.
0.76 MICRON MIN PRECIOUS METAL PLATE OVER ZONE 1.
0.076 MICRON MIN GOLD FLASH PLATE OVER THE REMAINDER OF ZONE 3.
(CONFORMS TO THE REQUIREMENTS OF TE CONNECTIVITY PRODUCT SPEC 108-10042
BASED ON EIA/ECA-364-1000.01A (CONTROLLED ENVIRONMENT APPLICATIONS)
- 3 1.54 - 2.54 MICRON SILVER PLATE OVER ZONE 3.
- 4 1.27 MICRONS MIN NICKEL PLATE OVER ZONE 3.
0.76 MICRON MIN GOLD PLATE OVER ZONE 1.
0.076 MICRON MIN GOLDFLASH PLATE OVER THE REMAINDER OF ZONE 3.
- 5 1.27 MICRONS MIN NICKEL PLATE OVER ZONE 3.
0.76 MICRONS MIN GOLD PLATE OVER ZONE 1.
1 MICRON MIN TIN PLATE OVER ZONE 2.
- 6 HOT-DIPPED PRETIN
- 7 1.27 MICRON MIN NICKEL PLATE OVER ZONE 3.
1 - 3 MICRONS ELECTRO-TIN PLATE OVER ZONE 3
- 8 0.76 MICRONS MIN NICKEL PLATE OVER ZONE 3 PER QQ-N-290
1.5 - 2.54 MICRONS SILVER PLATE OVER ZONE 3.
- 9 SERRATIONS CAN BE MULTILOCK OR TWO SLOTS
- 10. WIRE RANGE: 0.12-0.20 mm² (26-24 AWG)
- 11. INSULATION RANGE: 0.9-1.4 mm (.035-.055) DIA
- 12 LUBRICATE
- 13. OMISSION OF 6 CONTACTS MAX PER REEL OF 5000PCS.



THIS DRAWING IS A CONTROLLED DOCUMENT.	
DIMENSIONS: mm	TOLERANCES UNLESS OTHERWISE SPECIFIED:
0 PLC ±0.5	1 PLC ±0.25
2 PLC ±0.15	3 PLC ±0.15
4 PLC ±	ANGLES ±2°
MATERIAL SEE TABLE	FINISH SEE TABLE

REELING	FINISH	SPRING MATERIAL	PIN BODY	LOOSE PIECE	PART NUMBER
A	12	7	STAINLESS STEEL	BRASS	1-163089-3
A	1	7	STAINLESS STEEL	BRASS	1-163089-1
B	1	7	STAINLESS STEEL	BRASS	1-163090-0
A	7	7	STAINLESS STEEL	BRASS	163090-1
A	1	7	STAINLESS STEEL	BRASS	163089-8
B	7	7	STAINLESS STEEL	BRASS	163089-1

DWN J. BRIGHT 26/03/12	 TE Connectivity	NAME TYPE III+, SIZE 16, PIN ASS'Y 26-24 AWG, 0.9-1.4mm DIA INSULATION			
CHK M. GREENER 26/03/12					
APVD D. PENNINGTON 26/03/12					
PRODUCT SPEC 108-10042					
APPLICATION SPEC 114-10004	SIZE A2	CAGE CODE 00779	DRAWING NO C-163089	RESTRICTED TO	
WEIGHT -	CUSTOMER DRAWING		SCALE NTS	SHEET 1 OF 1	REV AB