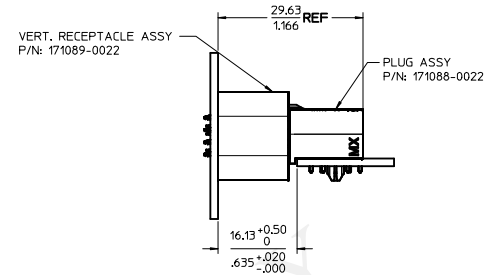
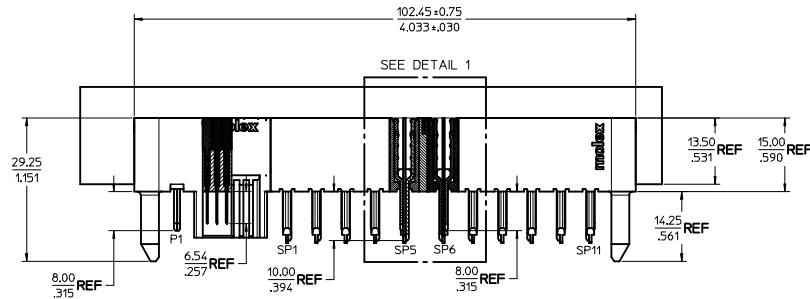
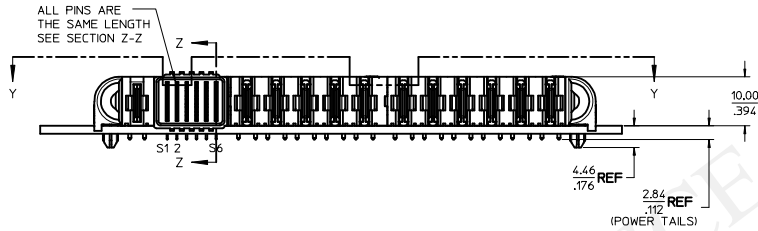
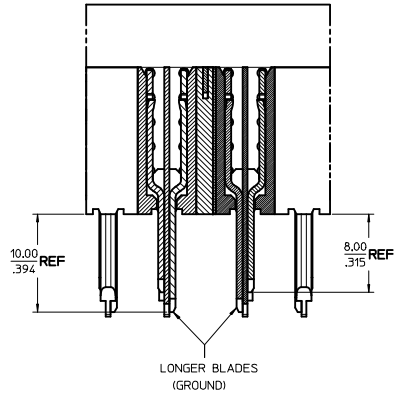


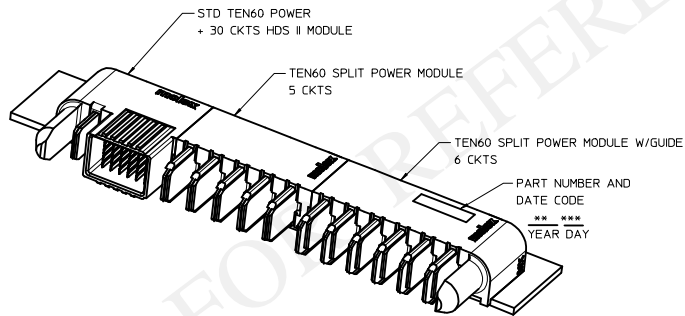
3D MODEL NO.: TM-171088-0022



DETAIL 1
SCALE 4:1

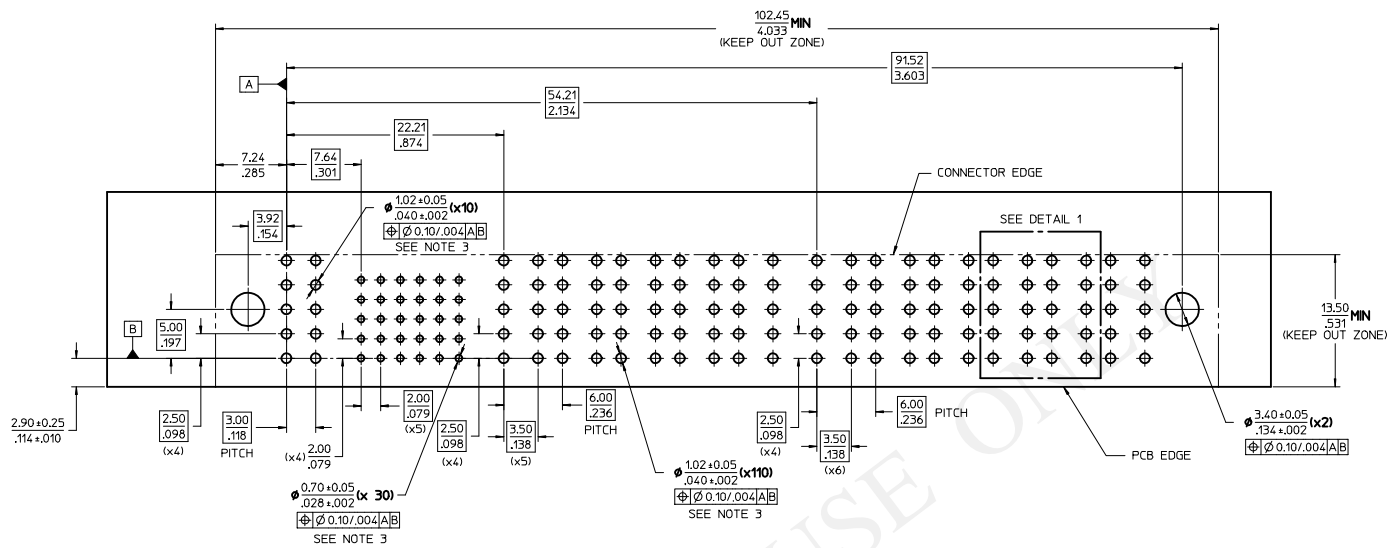


SECTION Z-Z

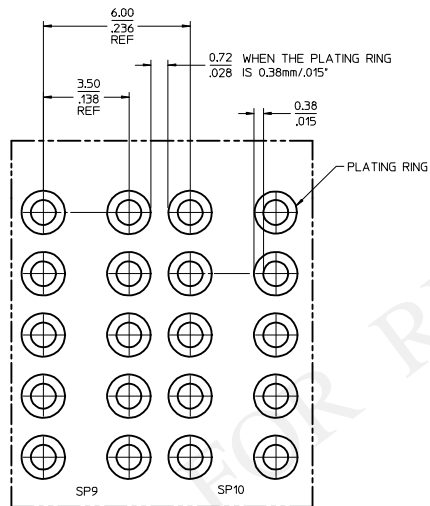


- NOTES:
- MATERIAL:
 - HOUSINGS: LCP UL94, V-0, COLOR : BLACK
 - TERMINALS: HIGH CONDUCTIVITY COPPER ALLOY
 - PLATING: 127 MICROMETER (50 MICROINCH) NICKEL OVERALL
WITH 254 MICROMETER (100 MICROINCH) SELECTIVE TIN ON TAILS
AND 0.762 MICROMETER (30 MICROINCH) SELECTIVE GOLD ON CONTACT AREA
 - PACKAGING: ASSEMBLIES TO BE TRAY PACKED PER PACKAGING SPEC: TBD
 - PLATED THRU HOLE SIZE REFERS TO PS-171088-0000 FOR DETAILS
 - PRODUCT SPEC: PS-171088-0000
 - APPLICATION SPEC: AS-46436-100
 - PRODUCT TO MEET RoHS REQUIREMENTS
 - ASSEMBLY MATES TO MOLEX RECEPTACLE ASSEMBLY P/N 171089-0022
 - TAIL DESIGN: SOLDER TAIL
 - SIGNAL CONTACTS ARE LUBRICATED.

ENTER DESCRIPTION IEC NO. UCP2013-1517 U DRAWN/VL IN 2012/10/10 CHXK: APPR:VL IN 2012/10/17	QUALITY SYMBOLS	GENERAL TOLERANCES (UNLESS SPECIFIED)	DIMENSION STYLE	SCALE	DESIGN UNITS	THIRD ANGLE PROJECTION	
	∇=0 ∇=0 ∇=0	mm INCH 4 PLACES ± --- ± --- 3 PLACES ± --- ± --- 2 PLACES ± 0.13 ± --- 1 PLACE ± 0.25 ± --- 0 PLACE ± --- ± ---	MM/IN	2:1	METRIC	DRAWN BY DATE VL IN 2012/09/12 CHECKED BY DATE APPROVED BY DATE VL IN 2012/10/10	TITLE TEN60 SPLIT POWER PLUG ASSY G-1P-30S-5SP-6SP-G molex
	ANGULAR ±1/2° DRAFT WHERE APPLICABLE MUST REMAIN WITHIN DIMENSIONS	MATERIAL NO. 171088-0022	DOCUMENT NO. SD-171088-0022	SHEET NO. 1 OF 3			
	THIS DRAWING CONTAINS INFORMATION THAT IS PROPRIETARY TO MOLEX INCORPORATED AND SHOULD NOT BE USED WITHOUT WRITTEN PERMISSION						



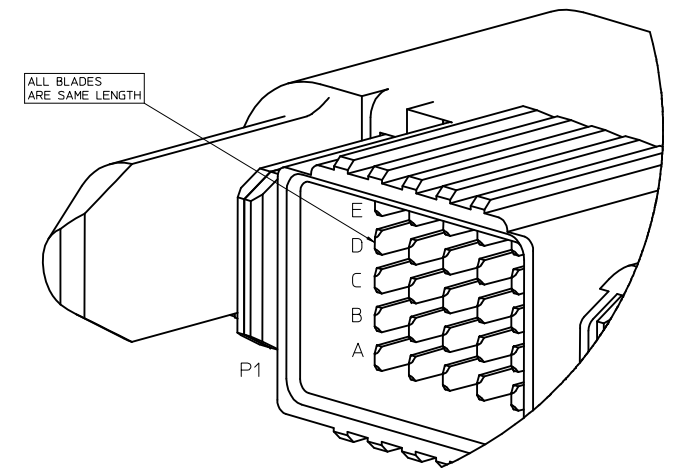
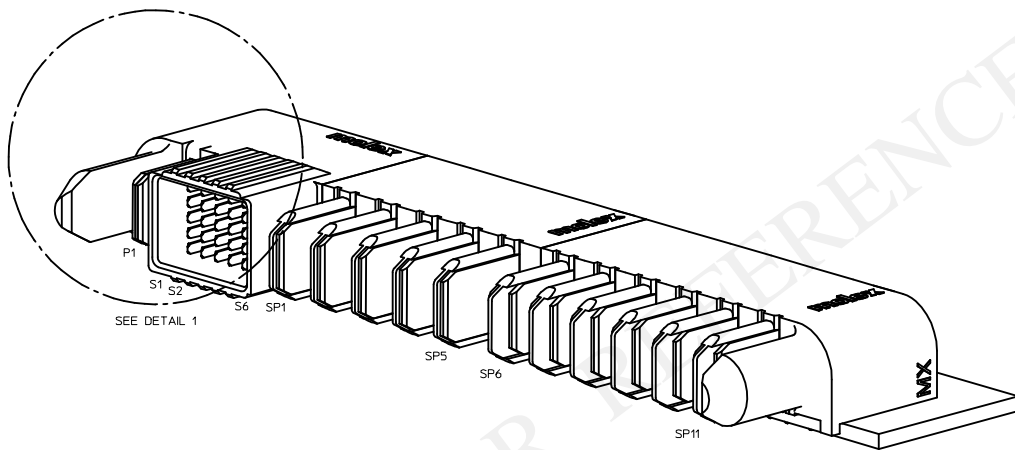
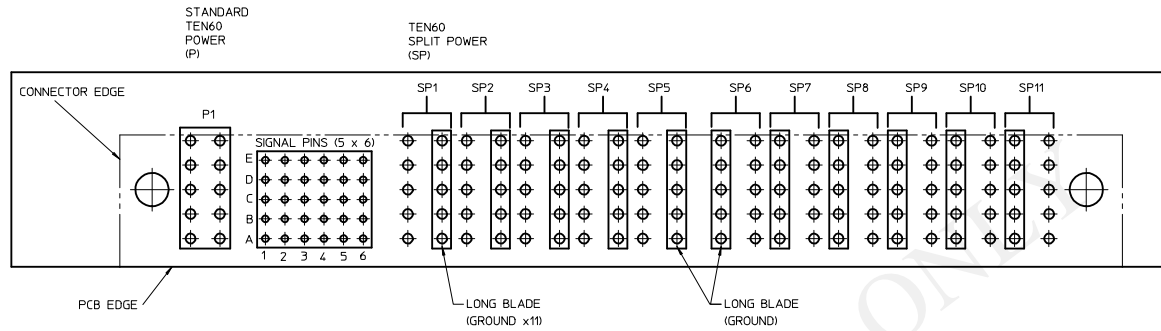
RECOMMENDED PCB LAYOUT AND KEEP OUT ZONE
(SEE SHEET 3 FOR PIN ASSIGNMENT)



DETAIL 1
SCALE 10:1

ENTER DESCRIPTION IEC NO. UCP2013-1517 2012/10/10 UJ DRAWN/VL IN CHYK APPR: VL IN REV	QUALITY SYMBOLS	GENERAL TOLERANCES (UNLESS SPECIFIED)	DIMENSION STYLE	SCALE	DESIGN UNITS	THIRD ANGLE PROJECTION
	▽=0	mm INCH	MM/IN	4:1	METRIC	☉
	▽=0	4 PLACES ± --- ± ---	DRAWN BY DATE	TITLE		
	▽=0	3 PLACES ± --- ± ---	VL IN 2012/09/12	TEN60 SPLIT POWER PLUG ASSY		
	2 PLACES ± 0.13 ± ---	CHECKED BY DATE	G-1P-30S-5SP-6SP-G			
	1 PLACE ± 0.25 ± ---	APPROVED BY DATE	moLEX			
	0 PLACE ± --- ± ---	VL IN 2012/10/10	DOCUMENT NO.			SHEET NO.
	ANGULAR ±1/2°	MATERIAL NO.	171088-0022		SD-171088-0022	2 OF 3
	DRAFT WHERE APPLICABLE MUST REMAIN WITHIN DIMENSIONS	SIZE	THIS DRAWING CONTAINS INFORMATION THAT IS PROPRIETARY TO MOLEX INCORPORATED AND SHOULD NOT BE USED WITHOUT WRITTEN PERMISSION			

PCB PIN ASSIGNMENT



DETAIL 1
SCALE 10:1

ENTER DESCRIPTION IEC NO. UCP2013-1517 DRAWN BY VLIN CHKD: VLIN APPR: VLIN DATE: 2012/10/17	QUALITY SYMBOLS ▽=0 ▽=0 ▽=0	GENERAL TOLERANCES (UNLESS SPECIFIED)		DIMENSION STYLE MM/IN	SCALE 4:1	DESIGN UNITS METRIC	THIRD ANGLE PROJECTION		
		4 PLACES ± --- ± --- 3 PLACES ± --- ± --- 2 PLACES ± 0.13 ± --- 1 PLACE ± 0.25 ± --- 0 PLACE ± --- ± ---	mm INCH	DRAWN BY DATE VLIN 2012/09/12	CHECKED BY DATE	TITLE TEN60 SPLIT POWER PLUG ASSY G-1P-30S-5SP-6SP-G			
		ANGULAR ±1/2° DRAFT WHERE APPLICABLE MUST REMAIN WITHIN DIMENSIONS		APPROVED BY DATE VLIN 2012/10/10	MATERIAL NO. 171088-0022	DOCUMENT NO. SD-171088-0022	SHEET NO. 3 OF 3		
		THIS DRAWING CONTAINS INFORMATION THAT IS PROPRIETARY TO MOLEX INCORPORATED AND SHOULD NOT BE USED WITHOUT WRITTEN PERMISSION							