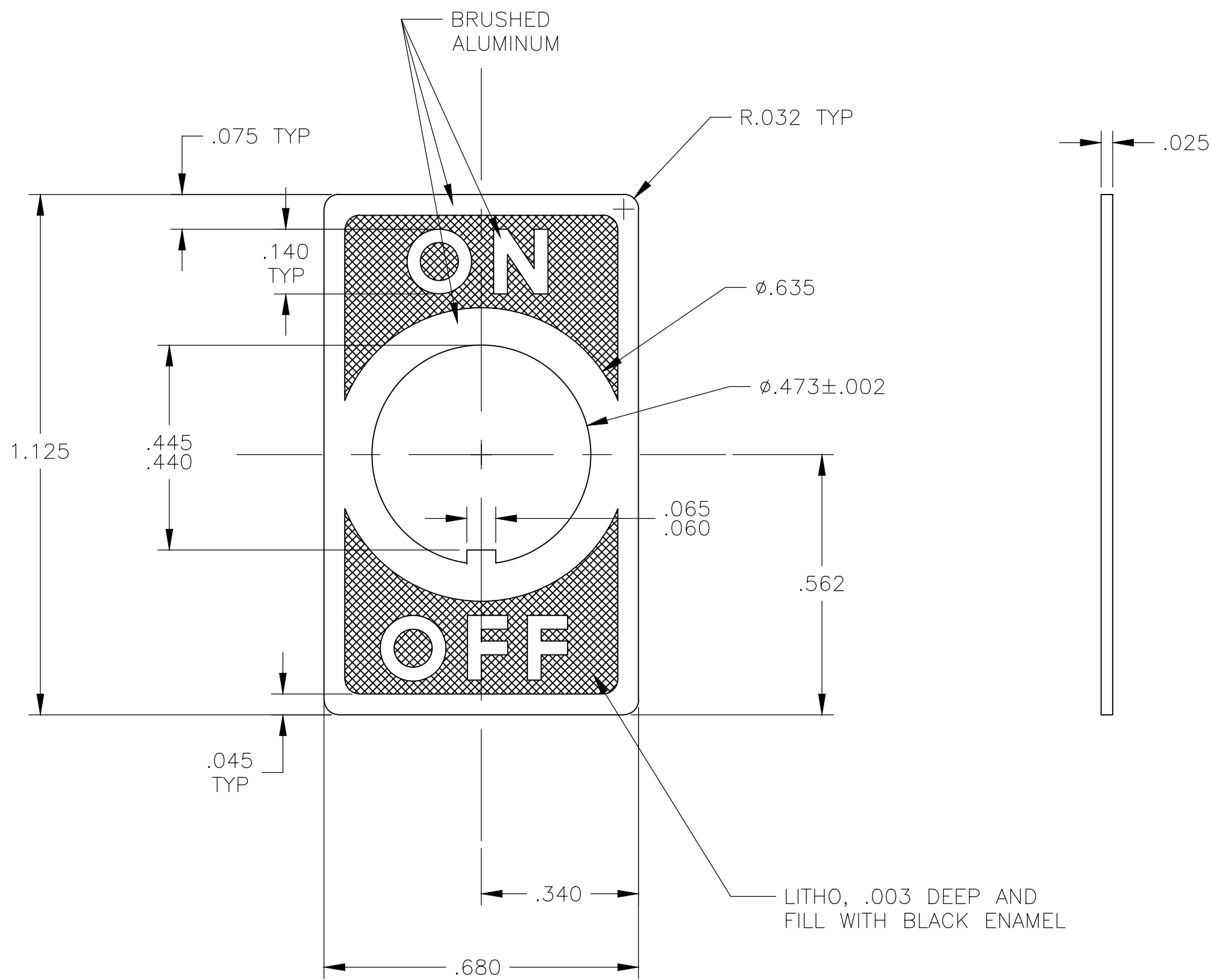
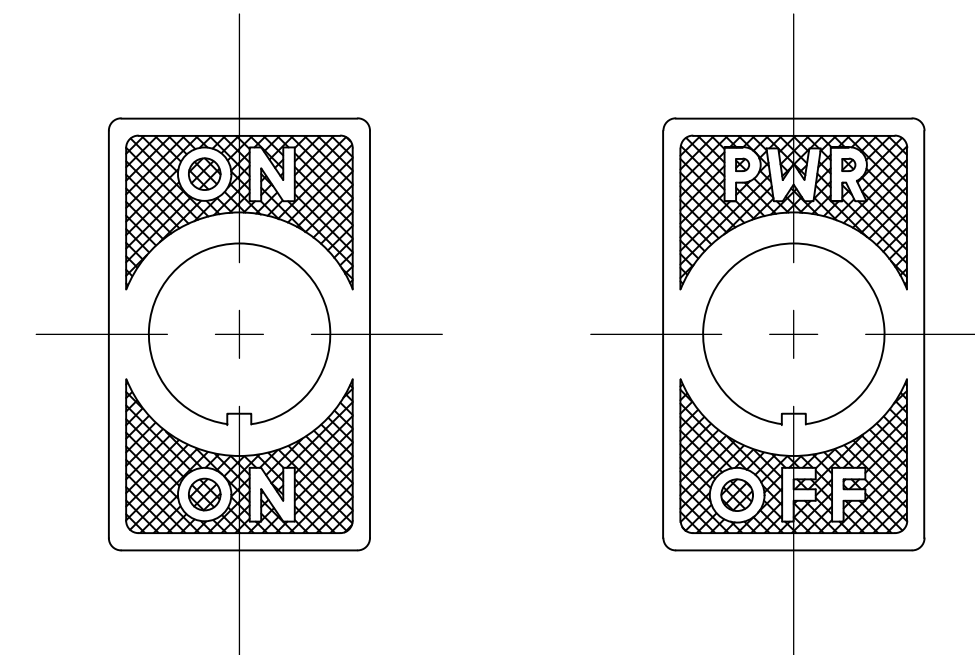


THIS DRAWING IS UNPUBLISHED. RELEASED FOR PUBLICATION
 © COPYRIGHT - TE Connectivity Ltd. ALL RIGHTS RESERVED.

REVISIONS					
P	LTR	DESCRIPTION	DATE	DWN	APVD
A1		ECR-16-017266	01JUN2018	SR	PO



SPA-42



SCALE 2:1

OBSOLETE	SPA-43	2-1437628-7
	SPA-42	2-1437628-6
	SPA-41	2-1437628-5
	ALCO PT. NO.	TYCO PT. NO.

THIS DRAWING IS A CONTROLLED DOCUMENT.		DWN	R BROWN	19NOV02	 TE Connectivity Ltd.
DIMENSIONS: INCHES		CHK	M ZITTO	19NOV02	
TOLERANCES UNLESS OTHERWISE SPECIFIED:		APVD	M ZITTO	19NOV02	
0 PLC ± - 1 PLC ± - 2 PLC ± - 3 PLC ± .005 4 PLC ± - ANGLES ± -		PRODUCT SPEC	NAME		
MATERIAL		FINISH	WEIGHT		SIZE
			A2		CAGE CODE
			00779		DRAWING NO
			C-2-1437628-5		RESTRICTED TO
			CUSTOMER DRAWING		SCALE
			4:1		SHEET
			1 OF 1		REV
			A1		