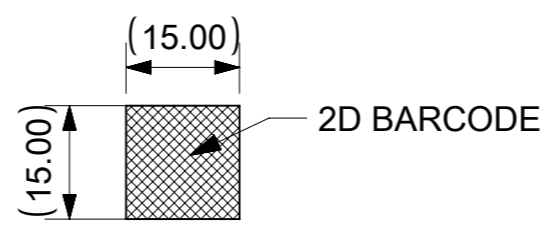


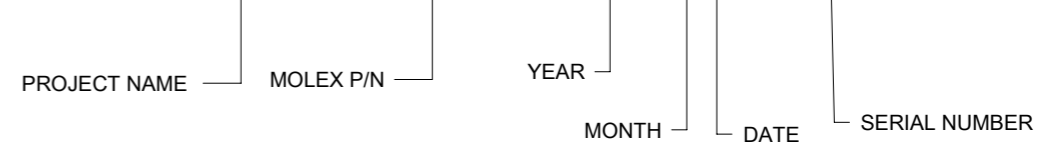
REV	DATE	DESCRIPTION
A	10/28/2022	INITIAL RELEASE



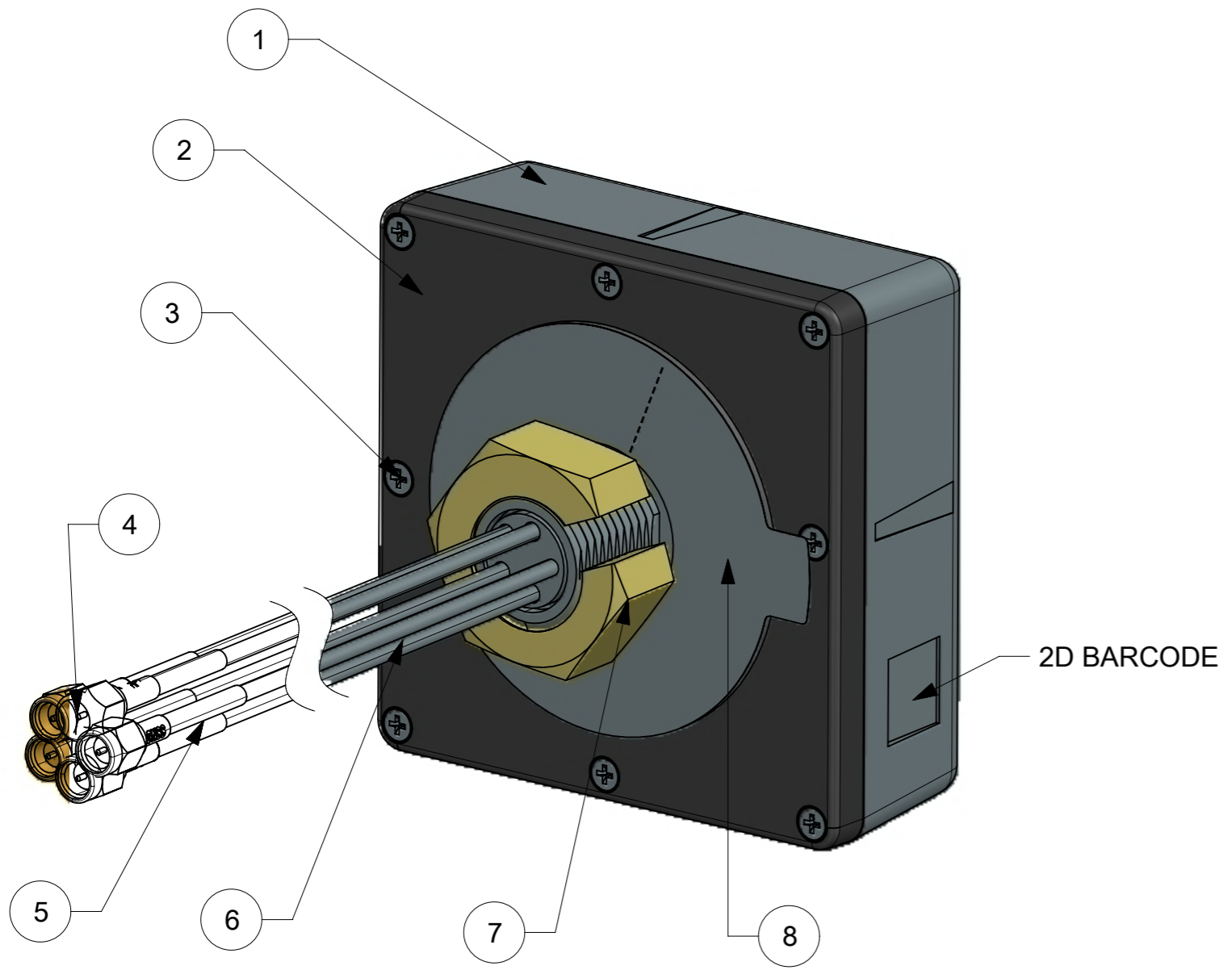
2D BARCODE CONTENT

SIZE:15X15mm

DEFINITION:5IN1 ANTENNA#2205731000#XXXXXXXXXX#XXXX



FOR EXAMPLE:5IN1 ANTENNA#2205731000#20220322#0001



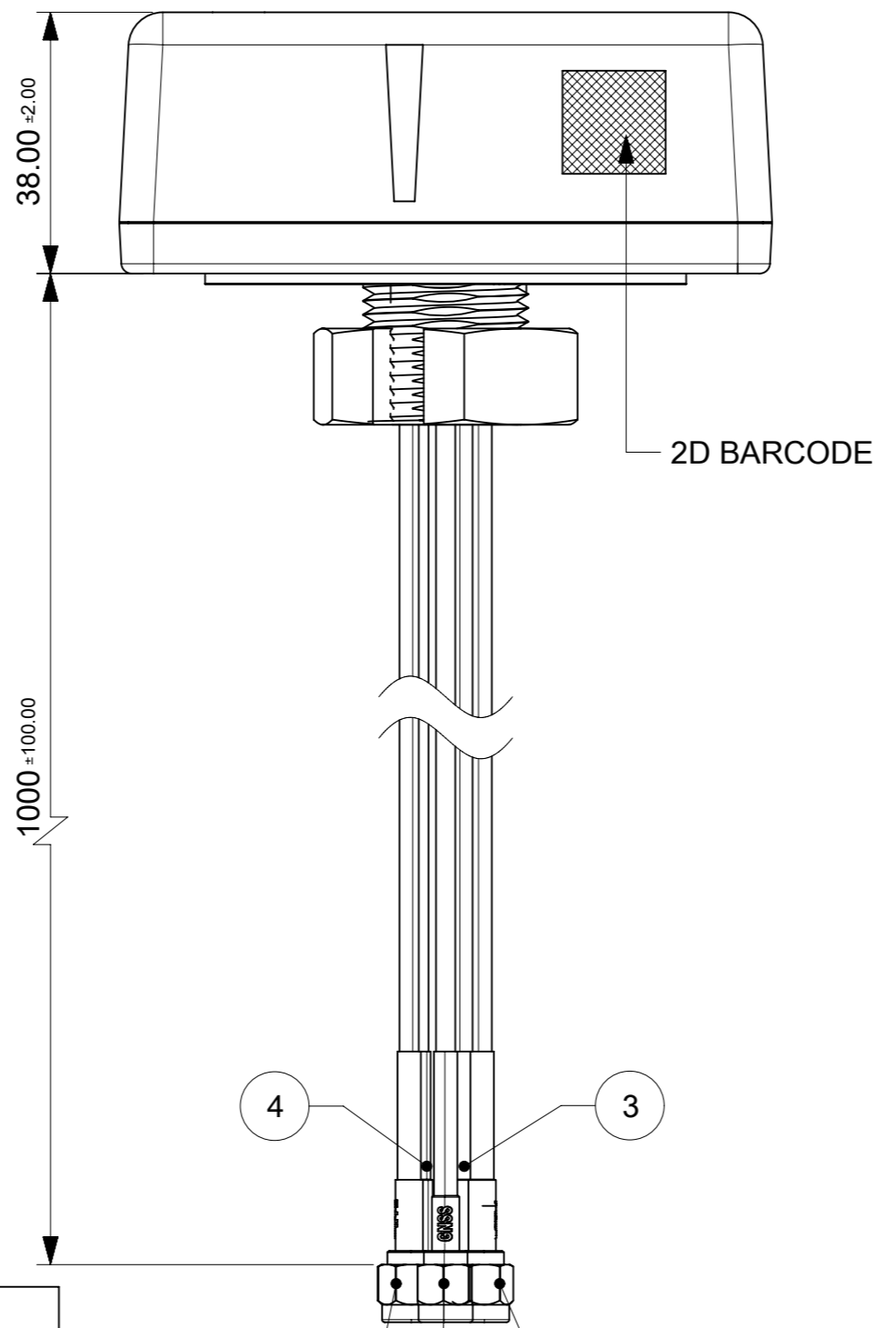
BOM TABLE			
ITEM	DESCRIPTION	REMARK	QTY
1	TOP HOUSING	PC/ABS BLACK	1 PCS
2	BOTTOM COVER	PC/ABS BLACK	1 PCS
3	SCREW	METAL	6 PCS
4	CONNECTOR	SMA PLUG MALE GOLDEN PLATING	1 PCS
5	HEAT SHRINK TUBE	BLACK IN COLOR	5 PCS
6	CABLE	RG174 CABLE BLACK JACK	5 PCS
7	NUT	METAL	1 PCS
8	PSA	DOUBLE-SIDE ADHESIVE	1 PCS

FUNCTIONAL SYMBOLS $\nabla_A = 0$ $\nabla_E = 0$ $\nabla_V = 0$	THIS DRAWING CONTAINS INFORMATION THAT IS PROPRIETARY TO MOLEX ELECTRONIC TECHNOLOGIES, LLC AND SHOULD NOT BE USED WITHOUT WRITTEN PERMISSION	SCALE	CURRENT REV DESC:				
	mm	1:1	molex				
	GENERAL TOLERANCES (UNLESS SPECIFIED)		BOTTOM FEED 5 IN 1 ANTENNA PRO				
	ANGULAR TOL $\pm 2.0^\circ$		PRODUCT CUSTOMER DRAWING				
DIVISIONAL SYMBOLS 4 PLACES ± 0.3 3 PLACES ± 0.5 2 PLACES ± 1.0 1 PLACE ± 2.0 0 PLACES ± 3.0	EC NO: 726397	2022/10/28	DOCUMENT NUMBER	DOC TYPE	DOC PART	REVISION	
	DRWN: VINCEJ3	2022/10/28	2205731000	PSD	000	A	
	CHK'D: HORACM1	2022/10/28	INITIAL REVISION:				
	APPR: HORACM1	2022/10/28	DRWN: VINCEJ3 2022/10/28				
DRAFT WHERE APPLICABLE MUST REMAIN WITHIN DIMENSIONS		THIRD ANGLE PROJECTION	DRAWING	SERIES	MATERIAL NUMBER	CUSTOMER	SHEET NUMBER
			A3-SIZE	220573	2205731000	GENERAL MARKET	1 OF 2

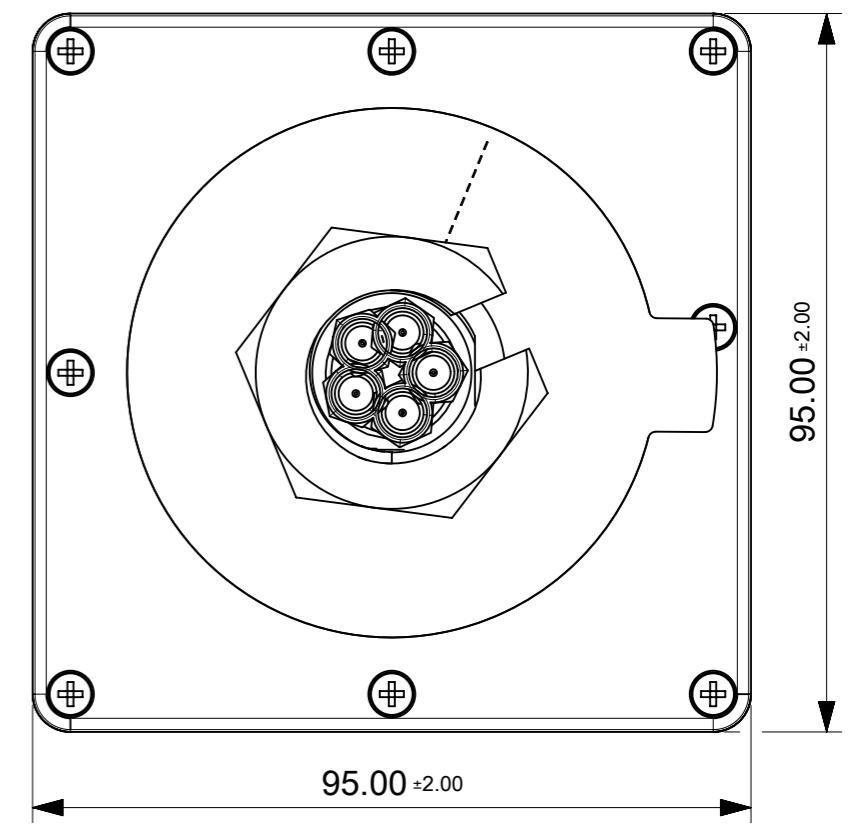
TOP SIDE



SIDE VIEW



BOTTOM SIDE



CABLE INFORMATION		
ITEM	REMARK	PRINT TEXT
1	Ø2.8±0.15	GNSS
2	Ø2.8±0.15	WIF1
3	Ø2.8±0.15	LTE2
4	Ø2.8±0.15	LTE1
5	Ø2.8±0.15	WIF12

FUNCTIONAL SYMBOLS	THIS DRAWING CONTAINS INFORMATION THAT IS PROPRIETARY TO MOLEX ELECTRONIC TECHNOLOGIES, LLC AND SHOULD NOT BE USED WITHOUT WRITTEN PERMISSION		CURRENT REV DESC:					
	△/A = 0	mm						SCALE 1:1
DIVISIONAL SYMBOLS	GENERAL TOLERANCES (UNLESS SPECIFIED)		EC NO: 726397 DRWN: VINCEJ3 2022/10/28 CHK'D: HORACM1 2022/10/28 APPR: HORACM1 2022/10/28 INITIAL REVISION: DRWN: VINCEJ3 2022/10/28 APPR: HORACM1 2022/10/28			BOTTOM FEED 5 IN 1 ANTENNA PRO PRODUCT CUSTOMER DRAWING		
	△/E = 0	ANGULAR TOL ± 2.0°						
	△/V = 0	4 PLACES ± 0.3						
		3 PLACES ± 0.5						
		2 PLACES ± 1.0						
	1 PLACE ± 2.0							
	0 PLACES ± 3.0							
DRAFT WHERE APPLICABLE MUST REMAIN WITHIN DIMENSIONS		THIRD ANGLE PROJECTION	DRAWING	SERIES	MATERIAL NUMBER	CUSTOMER	SHEET NUMBER	
			A3-SIZE	220573	2205731000	GENERAL MARKET	2 OF 2	