



Power contactor, AC-3 7 A, 3 kW / 400 V 1 NO, AC 277, 60 Hz 3-pole, Size S00 screw terminal

product brand name	SIRIUS
product designation	Power contactor
product type designation	3RT2
General technical data	
size of contactor	S00
product extension	
<ul style="list-style-type: none"> function module for communication auxiliary switch 	<p>No</p> <p>Yes</p>
power loss [W] for rated value of the current	
<ul style="list-style-type: none"> at AC in hot operating state at AC in hot operating state per pole without load current share typical 	<p>0.6 W</p> <p>0.2 W</p> <p>4.8 W</p>
insulation voltage	
<ul style="list-style-type: none"> of main circuit with degree of pollution 3 rated value of auxiliary circuit with degree of pollution 3 rated value 	<p>690 V</p> <p>690 V</p>
surge voltage resistance	
<ul style="list-style-type: none"> of main circuit rated value of auxiliary circuit rated value 	<p>6 kV</p> <p>6 kV</p>
maximum permissible voltage for safe isolation between coil and main contacts according to EN 60947-1	400 V
shock resistance at rectangular impulse	
<ul style="list-style-type: none"> at AC 	6,7g / 5 ms, 4,2g / 10 ms
shock resistance with sine pulse	
<ul style="list-style-type: none"> at AC 	10,5g / 5 ms, 6,6g / 10 ms
mechanical service life (switching cycles)	
<ul style="list-style-type: none"> of contactor typical of the contactor with added electronically optimized auxiliary switch block typical of the contactor with added auxiliary switch block typical 	<p>30 000 000</p> <p>5 000 000</p> <p>10 000 000</p>
reference code according to IEC 81346-2	Q
Substance Prohibitance (Date)	10/01/2009
Ambient conditions	
installation altitude at height above sea level maximum	2 000 m
ambient temperature	
<ul style="list-style-type: none"> during operation during storage 	<p>-25 ... +60 °C</p> <p>-55 ... +80 °C</p>
relative humidity minimum	10 %
relative humidity at 55 °C according to IEC 60068-2-30 maximum	95 %

Main circuit

number of poles for main current circuit	3
number of NO contacts for main contacts	3
operating voltage	
• at AC-3 rated value maximum	690 V
• at AC-3e rated value maximum	690 V
operational current	
• at AC-1 at 400 V at ambient temperature 40 °C rated value	18 A
• at AC-1	
— up to 690 V at ambient temperature 40 °C rated value	18 A
— up to 690 V at ambient temperature 60 °C rated value	16 A
• at AC-3	
— at 400 V rated value	7 A
— at 500 V rated value	6 A
— at 690 V rated value	4.9 A
• at AC-3e	
— at 400 V rated value	7 A
— at 500 V rated value	6 A
— at 690 V rated value	4.9 A
• at AC-4 at 400 V rated value	6.5 A
• at AC-5a up to 690 V rated value	15.8 A
• at AC-5b up to 400 V rated value	5.8 A
• at AC-6a	
— up to 230 V for current peak value n=20 rated value	4 A
— up to 400 V for current peak value n=20 rated value	4 A
— up to 500 V for current peak value n=20 rated value	3.8 A
— up to 690 V for current peak value n=20 rated value	3.6 A
• at AC-6a	
— up to 230 V for current peak value n=30 rated value	2.7 A
— up to 400 V for current peak value n=30 rated value	2.7 A
— up to 500 V for current peak value n=30 rated value	2.5 A
— up to 690 V for current peak value n=30 rated value	2.4 A
minimum cross-section in main circuit at maximum AC-1 rated value	2.5 mm ²
operational current for approx. 200000 operating cycles at AC-4	
• at 400 V rated value	2.6 A
• at 690 V rated value	1.8 A
operational current	
• at 1 current path at DC-1	
— at 24 V rated value	15 A
— at 110 V rated value	1.5 A
— at 220 V rated value	0.6 A
— at 440 V rated value	0.42 A
— at 600 V rated value	0.42 A
• with 2 current paths in series at DC-1	
— at 24 V rated value	15 A
— at 110 V rated value	8.4 A
— at 220 V rated value	1.2 A
— at 440 V rated value	0.6 A
— at 600 V rated value	0.5 A
• with 3 current paths in series at DC-1	

— at 24 V rated value	15 A
— at 110 V rated value	15 A
— at 220 V rated value	15 A
— at 440 V rated value	0.9 A
— at 600 V rated value	0.7 A
● at 1 current path at DC-3 at DC-5	
— at 24 V rated value	15 A
— at 110 V rated value	0.1 A
● with 2 current paths in series at DC-3 at DC-5	
— at 24 V rated value	15 A
— at 110 V rated value	0.25 A
● with 3 current paths in series at DC-3 at DC-5	
— at 24 V rated value	15 A
— at 110 V rated value	15 A
— at 220 V rated value	1.2 A
— at 440 V rated value	0.14 A
— at 600 V rated value	0.14 A
operating power	
● at AC-2 at 400 V rated value	3 kW
● at AC-3	
— at 230 V rated value	1.5 kW
— at 400 V rated value	3 kW
— at 500 V rated value	3 kW
— at 690 V rated value	4 kW
● at AC-3e	
— at 230 V rated value	1.5 kW
— at 400 V rated value	3 kW
— at 500 V rated value	3 kW
— at 690 V rated value	4 kW
operating power for approx. 200000 operating cycles at AC-4	
● at 400 V rated value	1.15 kW
● at 690 V rated value	1.15 kW
operating apparent power at AC-6a	
● up to 230 V for current peak value n=20 rated value	1.5 kVA
● up to 400 V for current peak value n=20 rated value	2.7 kVA
● up to 500 V for current peak value n=20 rated value	3.3 kVA
● up to 690 V for current peak value n=20 rated value	4.3 kVA
operating apparent power at AC-6a	
● up to 230 V for current peak value n=30 rated value	1 kVA
● up to 400 V for current peak value n=30 rated value	1.8 kVA
● up to 500 V for current peak value n=30 rated value	2.2 kVA
● up to 690 V for current peak value n=30 rated value	2.9 kVA
short-time withstand current in cold operating state up to 40 °C	
● limited to 1 s switching at zero current maximum	120 A; Use minimum cross-section acc. to AC-1 rated value
● limited to 5 s switching at zero current maximum	86 A; Use minimum cross-section acc. to AC-1 rated value
● limited to 10 s switching at zero current maximum	67 A; Use minimum cross-section acc. to AC-1 rated value
● limited to 30 s switching at zero current maximum	52 A; Use minimum cross-section acc. to AC-1 rated value
● limited to 60 s switching at zero current maximum	43 A; Use minimum cross-section acc. to AC-1 rated value
no-load switching frequency	
● at AC	10 000 1/h
operating frequency	
● at AC-1 maximum	1 000 1/h
● at AC-2 maximum	750 1/h
● at AC-3 maximum	750 1/h
● at AC-3e maximum	750 1/h
● at AC-4 maximum	250 1/h
Control circuit/ Control	
type of voltage of the control supply voltage	AC

control supply voltage at AC	
• at 60 Hz rated value	277 V
operating range factor control supply voltage rated value of magnet coil at AC	
• at 60 Hz	0.85 ... 1.1
apparent pick-up power of magnet coil at AC	
• at 60 Hz	31.7 VA
inductive power factor with closing power of the coil	
• at 60 Hz	0.81
apparent holding power of magnet coil at AC	
• at 60 Hz	4.8 VA
inductive power factor with the holding power of the coil	
• at 60 Hz	0.25
closing delay	
• at AC	9 ... 35 ms
opening delay	
• at AC	7 ... 13 ms
arcing time	10 ... 15 ms
control version of the switch operating mechanism	Standard A1 - A2
Auxiliary circuit	
number of NO contacts for auxiliary contacts instantaneous contact	1
operational current at AC-12 maximum	10 A
operational current at AC-15	
• at 230 V rated value	10 A
• at 400 V rated value	3 A
• at 500 V rated value	2 A
• at 690 V rated value	1 A
operational current at DC-12	
• at 24 V rated value	10 A
• at 48 V rated value	6 A
• at 60 V rated value	6 A
• at 110 V rated value	3 A
• at 125 V rated value	2 A
• at 220 V rated value	1 A
• at 600 V rated value	0.15 A
operational current at DC-13	
• at 24 V rated value	10 A
• at 48 V rated value	2 A
• at 60 V rated value	2 A
• at 110 V rated value	1 A
• at 125 V rated value	0.9 A
• at 220 V rated value	0.3 A
• at 600 V rated value	0.1 A
contact reliability of auxiliary contacts	1 faulty switching per 100 million (17 V, 1 mA)
UL/CSA ratings	
full-load current (FLA) for 3-phase AC motor	
• at 480 V rated value	4.8 A
• at 600 V rated value	6.1 A
yielded mechanical performance [hp]	
• for single-phase AC motor	
— at 110/120 V rated value	0.25 hp
— at 230 V rated value	0.75 hp
• for 3-phase AC motor	
— at 200/208 V rated value	1.5 hp
— at 220/230 V rated value	2 hp
— at 460/480 V rated value	3 hp
— at 575/600 V rated value	5 hp
contact rating of auxiliary contacts according to UL	A600 / Q600

Short-circuit protection	
design of the fuse link <ul style="list-style-type: none"> ● for short-circuit protection of the main circuit <ul style="list-style-type: none"> — with type of coordination 1 required — with type of assignment 2 required ● for short-circuit protection of the auxiliary switch required 	gG: 35A (690V,100kA), aM: 20A (690V,100kA), BS88: 35A (415V,80kA) gG: 20A (690V,100kA), aM: 16A (690V, 100kA), BS88: 20A (415V, 80kA) gG: 10 A (500 V, 1 kA)
Installation/ mounting/ dimensions	
mounting position	+/-180° rotation possible on vertical mounting surface; can be tilted forward and backward by +/- 22.5° on vertical mounting surface
fastening method	screw and snap-on mounting onto 35 mm standard mounting rail according to DIN EN 60715
<ul style="list-style-type: none"> ● side-by-side mounting 	Yes
height	58 mm
width	45 mm
depth	73 mm
required spacing	
<ul style="list-style-type: none"> ● with side-by-side mounting <ul style="list-style-type: none"> — forwards 10 mm — upwards 10 mm — downwards 10 mm — at the side 0 mm ● for grounded parts <ul style="list-style-type: none"> — forwards 10 mm — upwards 10 mm — at the side 6 mm — downwards 10 mm ● for live parts <ul style="list-style-type: none"> — forwards 10 mm — upwards 10 mm — downwards 10 mm — at the side 6 mm 	
Connections/ Terminals	
type of electrical connection	
<ul style="list-style-type: none"> ● for main current circuit ● for auxiliary and control circuit ● at contactor for auxiliary contacts ● of magnet coil 	screw-type terminals screw-type terminals Screw-type terminals Screw-type terminals
type of connectable conductor cross-sections	
<ul style="list-style-type: none"> ● for main contacts <ul style="list-style-type: none"> — solid 2x (0.5 ... 1.5 mm²), 2x (0.75 ... 2.5 mm²), 2x 4 mm² — solid or stranded 2x (0,5 ... 1,5 mm²), 2x (0,75 ... 2,5 mm²), 2x 4 mm² — finely stranded with core end processing 2x (0.5 ... 1.5 mm²), 2x (0.75 ... 2.5 mm²) ● at AWG cables for main contacts 2x (20 ... 16), 2x (18 ... 14), 2x 12 	
connectable conductor cross-section for main contacts	
<ul style="list-style-type: none"> ● solid 0.5 ... 4 mm² ● stranded 0.5 ... 4 mm² ● finely stranded with core end processing 0.5 ... 2.5 mm² 	
connectable conductor cross-section for auxiliary contacts	
<ul style="list-style-type: none"> ● solid or stranded 0.5 ... 4 mm² ● finely stranded with core end processing 0.5 ... 2.5 mm² 	
type of connectable conductor cross-sections	
<ul style="list-style-type: none"> ● for auxiliary contacts <ul style="list-style-type: none"> — solid or stranded 2x (0.5 ... 1.5 mm²), 2x (0.75 ... 2.5 mm²), 2x 4 mm² — finely stranded with core end processing 2x (0.5 ... 1.5 mm²), 2x (0.75 ... 2.5 mm²) ● at AWG cables for auxiliary contacts 2x (20 ... 16), 2x (18 ... 14), 2x 12 	
AWG number as coded connectable conductor cross section	

- for main contacts 20 ... 12
- for auxiliary contacts 20 ... 12

Safety related data

product function	
<ul style="list-style-type: none"> • mirror contact according to IEC 60947-4-1 	Yes; with 3RH29
B10 value with high demand rate according to SN 31920	1 000 000
proportion of dangerous failures	
<ul style="list-style-type: none"> • with low demand rate according to SN 31920 	40 %
<ul style="list-style-type: none"> • with high demand rate according to SN 31920 	73 %
failure rate [FIT] with low demand rate according to SN 31920	100 FIT
T1 value for proof test interval or service life according to IEC 61508	20 y
protection class IP on the front according to IEC 60529	IP20
touch protection on the front according to IEC 60529	finger-safe, for vertical contact from the front
suitability for use	
<ul style="list-style-type: none"> • safety-related switching OFF 	Yes

Certificates/ approvals

General Product Approval



[Confirmation](#)



[KC](#)



EMC	Functional Safety/Safety of Machinery	Declaration of Conformity	Test Certificates
-----	---------------------------------------	---------------------------	-------------------



[Type Examination Certificate](#)



[Special Test Certificate](#)

[Type Test Certificates/Test Report](#)

Marine / Shipping



Marine / Shipping	other
-------------------	-------



[Confirmation](#)



Further information

Information- and Downloadcenter (Catalogs, Brochures,...)

<https://www.siemens.com/ic10>

Industry Mall (Online ordering system)

<https://mall.industry.siemens.com/mall/en/en/Catalog/product?mfb=3RT2015-1AU61>

Cax online generator

<http://support.automation.siemens.com/WW/CAXorder/default.aspx?lang=en&mfb=3RT2015-1AU61>

Service&Support (Manuals, Certificates, Characteristics, FAQs,...)

<https://support.industry.siemens.com/cs/ww/en/ps/3RT2015-1AU61>

Image database (product images, 2D dimension drawings, 3D models, device circuit diagrams, EPLAN macros, ...)

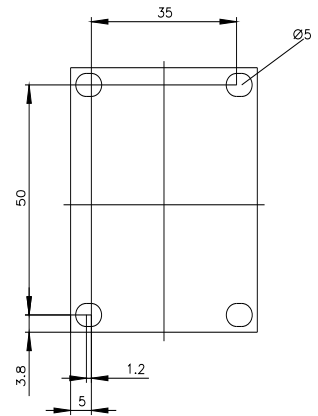
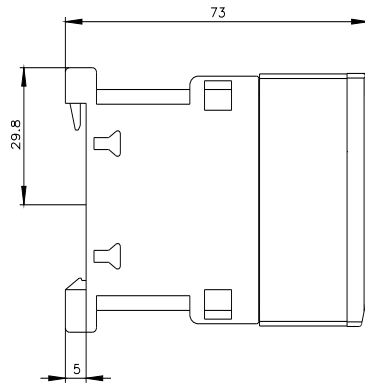
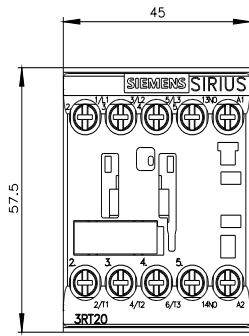
http://www.automation.siemens.com/bilddb/cax_de.aspx?mlfb=3RT2015-1AU61&lang=en

Characteristic: Tripping characteristics, I²t, Let-through current

<https://support.industry.siemens.com/cs/ww/en/ps/3RT2015-1AU61/char>

Further characteristics (e.g. electrical endurance, switching frequency)

<http://www.automation.siemens.com/bilddb/index.aspx?view=Search&mlfb=3RT2015-1AU61&objecttype=14&gridview=view1>





last modified:

6/2/2022 