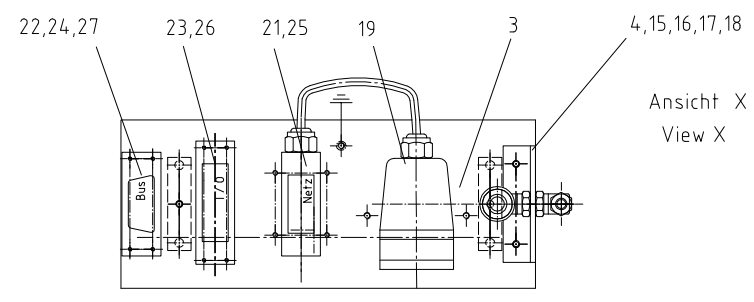
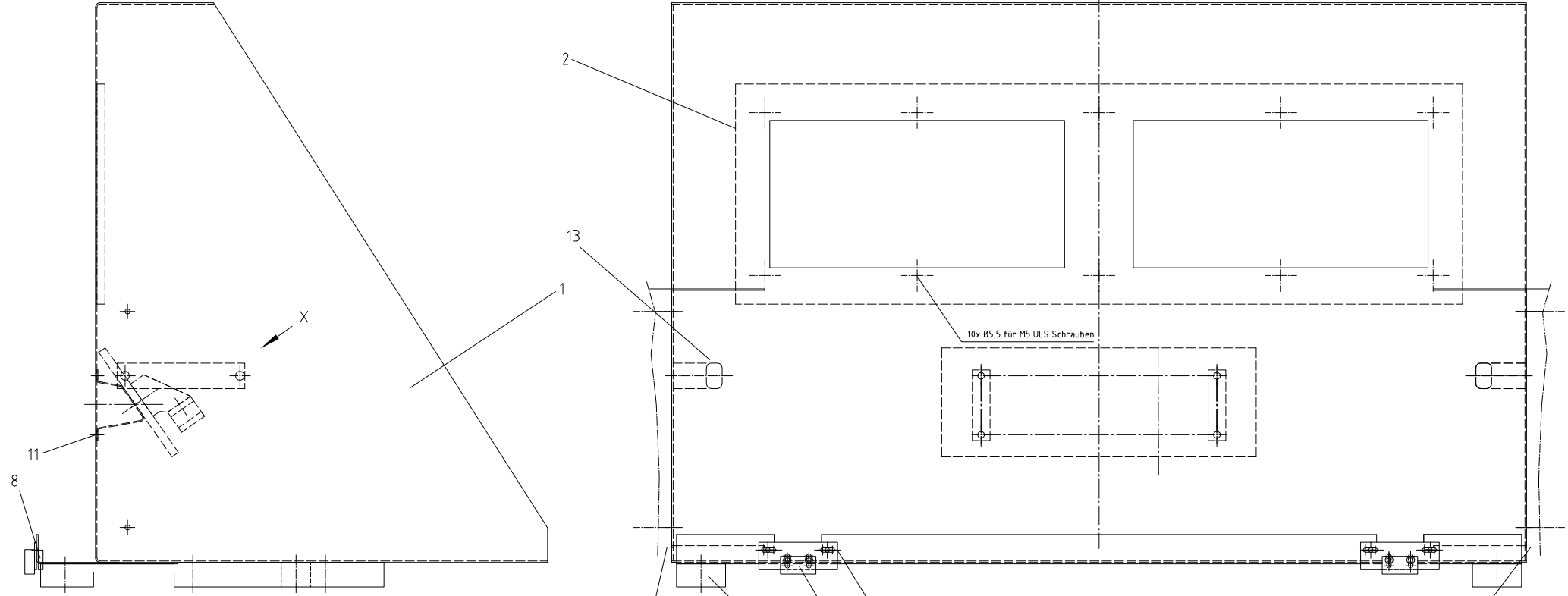
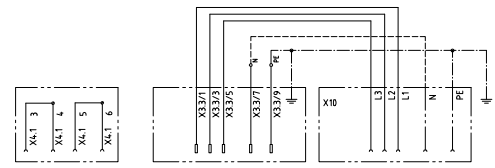


LOC		DIST		REVISIONS			
#	LR	DATE	BY	REV	APP'D	DATE	BY
01		24FEB15	RN	MD			



Verdrahtungsschema
Circuit diagram

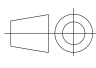



Der Stationsplatzhalter kann sowohl für eine linke als auch für eine rechte Station verwendet werden, daraus ergibt sich die Montageposition des Schutzbleches Pos. 6 in Richtung Auslauf.
 The place holder for the station can be used for a left station as well as for a right station. The outcome of this is the mounting position of the guard plate Pos. 6 in the direction of the outfeed.

Draufsicht 1:4
Top view 1:4

THIS DRAWING IS A CONTROLLED DOCUMENT.		DWG No	2094930		TE Connectivity	
DIMENSIONS: mm		REV	03/02/15		STATION PLACE HOLDER, FHM-IDC (DUMMY)	
TOLERANCES UNLESS OTHERWISE SPECIFIED		DESIGNER	03/02/15	Stationsplatzhalter, FHM-IDC (Dummy)		
D: PLC		APPROVED		APPLICATION SPEC		
P: PLC		DATE		SIZE: A1		
M: PLC		SCALE	1:2	SHEET 1 OF 2		
H: PLC		WEIGHT	15kg	REV D1		
MATERIAL		FINISH		CUSTOMER DRAWING		

POS	QTY	TE/PN	REV	DESCRIPTION	S=Spare Parts W=Wear Parts	S	W
1	1	6-1481233-3	C	SAFETY GUARD SICHERHEITSSCHUTZ		<input checked="" type="checkbox"/>	<input type="checkbox"/>
2	1	6-1481233-4	A	WASHER SCHEIBE		<input checked="" type="checkbox"/>	<input type="checkbox"/>
3	1	6-1481233-5	A	PLUG PLATE STECKERPLATTE		<input checked="" type="checkbox"/>	<input type="checkbox"/>
4	1	6-1481233-6	A	ANGLE FOR AIR SUPPLY WINKEL FÜR LUFTANSCHLUSS		<input checked="" type="checkbox"/>	<input type="checkbox"/>
5	2	4-1481237-3	A	SUPPORTING PLATE AUFLAGEPLATTE		<input checked="" type="checkbox"/>	<input type="checkbox"/>
6	1	7-1481237-2	A	GUARD SHEET		<input checked="" type="checkbox"/>	<input type="checkbox"/>
7	2	8-1481237-6	B	HOLDING PLATE 1		<input checked="" type="checkbox"/>	<input type="checkbox"/>
8	2	8-1481237-7	A	HOLDING PLATE 2 HALTEPLATTE 2		<input checked="" type="checkbox"/>	<input type="checkbox"/>
10	2	0-2079887-2	B	SWITCH UNIT, SQUARE DESIGN, PSEN MA1.4-03MM/ACTUAT		<input checked="" type="checkbox"/>	<input type="checkbox"/>
11	2	0-0547988-3	A	STRIP RETAINER TSTW (M5) WEIDMÜLLER:017810		<input checked="" type="checkbox"/>	<input type="checkbox"/>
13	2	6-1372299-9	A	HANDLE BOSCH REXROTH:3842525480		<input checked="" type="checkbox"/>	<input type="checkbox"/>
15	1	0-2030356-4	B	COUPLING SOCKET KD4-3/8-A FESTO:2144		<input checked="" type="checkbox"/>	<input type="checkbox"/>
16	1	0-2030664-2	A	QUICK COUPLING PLUG KS4-3/8-A FESTO:2155		<input checked="" type="checkbox"/>	<input type="checkbox"/>
17	2	0-0993009-3	A	ELBOW G-3/8-A/I FESTO:3616		<input checked="" type="checkbox"/>	<input type="checkbox"/>
18	1	0-0510987-4	O	SCHOTT-FITTING SCM-3/8 FESTO:9972		<input checked="" type="checkbox"/>	<input type="checkbox"/>
19	1	0-0547614-7	C	CEE SOCKET 5-POLE 16-A-6H KUPPLUNGSDOSE		<input checked="" type="checkbox"/>	<input type="checkbox"/>
21	1	1-1102123-2	B	HA.10.SG.LB.1.16 SURFACE MOUNTED HOUSING SIDE ENT.		<input checked="" type="checkbox"/>	<input type="checkbox"/>
22	1	1-1102121-2	A	HA.10.AG.LB (BUS)		<input checked="" type="checkbox"/>	<input type="checkbox"/>
23	1	1-1102140-2	A	SURFACE MOUNTED HOUSING BOTTOM ENTRY,HA.16.AG-LB		<input checked="" type="checkbox"/>	<input type="checkbox"/>
24	1	0-1107197-1	B	AM.1X9.BG.2-O 9-POLE (BUS)		<input checked="" type="checkbox"/>	<input type="checkbox"/>
25	1	1-1103414-1	D	HA.10.STI.S, MALE INSERT STECKEREINSATZ		<input checked="" type="checkbox"/>	<input type="checkbox"/>
26	1	1-1103416-1	D	HA.16.STI.S, PACKAGING STECKEREINSATZ, STIFT		<input checked="" type="checkbox"/>	<input type="checkbox"/>
27	1	5-0747904-2	V	9 PLUG SOLDER CUP HD-20 STECKEREINSATZ 9 POL.		<input checked="" type="checkbox"/>	<input checked="" type="checkbox"/>

REMARKS: STATIONSPLATZHALTER FÜR FHM-IDC						USED ON 1-0528035-0-A						
P	LTR	REVISION RECORD	DATE	DWN	APVD	PRINTED	DWN	24FEB15	CHK	24FEB15	APVD	24FEB15
-	C	SEE SHEET 1	-	-	-	24FEB15	R.NITSCHKE		M.DIETZER		M.DIETZER	
-	C1	SEE SHEET 1	-	-	-	WEIGHT	DIMENSION (mm)		MATERIAL		HT TR	
-	D	SEE SHEET 1	-	-	-	SEE SHEET 1	-		-		-	
-	D1	SEE SHEET 1	-	-	-		TOLERANCES UNLESS OTHERWISE SPECIFIED SEE SHEET 1	 TE Connectivity				
THIS DRAWING IS A CONTROLLED DOCUMENT FOR TYCO ELECTRONICS CORPORATION. IT IS SUBJECT TO CHANGE AND THE CONTROLLING ENGINEERING ORGANIZATION SHOULD BE CONTACTED FOR THE LATEST REVISION.						SPARE AND WEAR PARTS LIST						
NAME STATION PLACE HOLDER FOR FHM-IDC											RESTRICTED TO -	
SCALE SEE SHEET 1			SIZE A4		DRAWING NO C-4-529526-3			SHEET 2/2		REV D1		

DIESES ZEICHNUNGSDOKUMENT WIRD DURCH TYCO ELECTRONICS CORPORATION KONTROLLIERT. ÄNDERUNGEN DIE DEM TECHNISCHEN FORTSCHRITT DIENEN, SIND VORBEHALTEN. DEN JEWEILS LETZTGÜLTIGEN ÄNDERUNGSSTAND ERFAHREN SIE AUF ANFRAGE