

Materials

- 1. Center contact, C5191 phosphor bronze, 2 µm nickel plated
- 2. Insulator, PBT + 15% glass fiber, black
- 3. Shell, C2700 brass, 2 µm nickel plated

Electrical requirements

Dielectric strength: 1 min @ 500 Vac
 Insulation resistance: 100 MΩ @ 500 Vdc
 Contact resistance: 30 mΩ or less
 Rated voltage: 20 Vdc
 Rated current: 6 A

Mechanical requirements

Insertion force: 0.5-3 kgf
 Withdrawal force: 0.4-2 kgf
 Durability: 5000 mating cycles while maintaining; 0.3-2 kgf insertion force, 0.2-1.5 kgf withdrawal force and a less than 100 mΩ contact resistance.

Environmental requirements

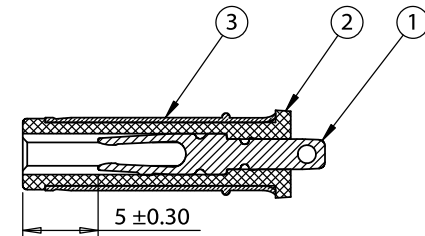
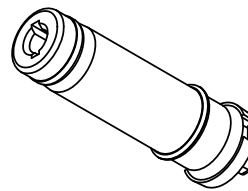
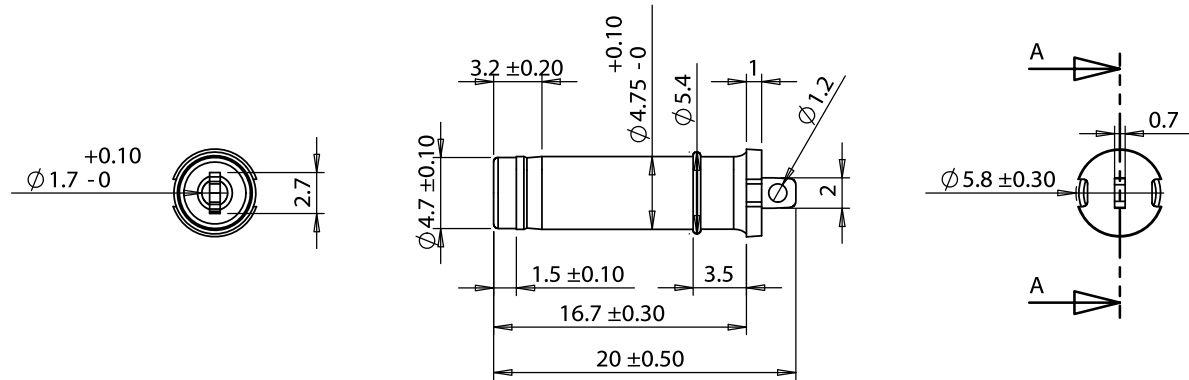
Damp test: 40 °C, RH 90-100% for 96 hrs. Cool to ambient and recover for 2 hours. Maintain dielectric strength of 500 Vac for 1 min, insulation resistance of 50 MΩ @ 500 Vdc minimum and a contact resistance of 100 mΩ or less.

Dry test: 70 °C, RH 70-85% for 96 hrs. Cool to ambient and recover for 2 hours. Maintain insulation resistance of 50 MΩ @ 500 Vdc minimum and a contact resistance of 100 mΩ or less.

Salt spray test: 35 °C, RH 90-95%, 5% NaCl mist for 24 hrs. Wash parts after test. Maintain mechanical requirements and a contact resistance of less than 80 mΩ.

Operating range

-25 to 70 °C, relative humidity of 85% or less



SECTION A-A
SCALE 2 : 1

Revision:	Date:	Description:
A	9/2/2009	Initial release
A1	11/9/2012	Added test data

Prepared: GL 2016.03.29 10:23:18 -07'00'

Verified: LA Checked against 3D, 2D and 1D drawings, manufacturing drawing 50000000-tenility.com, 1:100 Date: 2016.03.31 15:30:04 -07'00'

Dimensions are in millimeters.
 Tolerances:
 X: ± 0.5 mm
 X.X: ± 0.3 mm
 X.XX: ± 0.05 mm

Notes:
 RoHS compliant

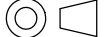
Function test: no open, no short circuit, no intermittent

Description:
 Connector, dc plug, 4.75x1.7xL20 mm, EIAJ-3, molding style, spring contacts

TENSILITY

tel 1.541.323.3228 800 877.670.7118
 fax 1.541.323.4202 web tensility.com

Size:	Part number:
A	50-00028

Scale: 5:1  Sheet 1 of 1