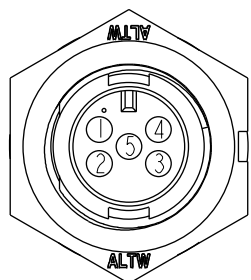
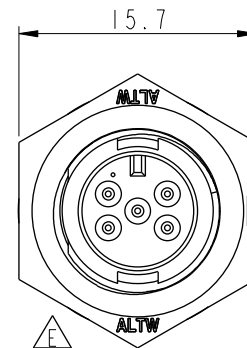
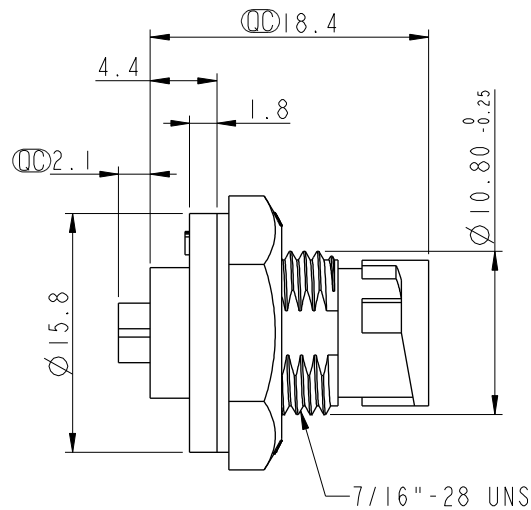
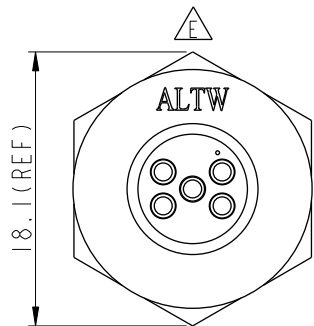


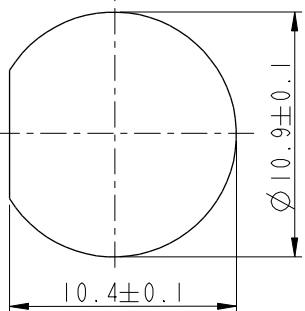
THIS DOCUMENT IS SUBJECT TO CHANGE WITHOUT NOTICE. IT IS CONFIDENTIAL AND A PROPERTY OF AMPHENOL LTW. DISCLOSURE TO THIRD PARTY HAS TO BE AUTHORIZED BY AMPHENOL LTW.

REV.	ECN NO.	DATE	SIGN	DESCRIPTION
D	LEN-8A0150	2008/09/15	Shin	Add Notes
E	LEN1640079	2016/03/30	Vicky	Update Logo
F	CI90268	2019/02/19	Ruru	Modify Note

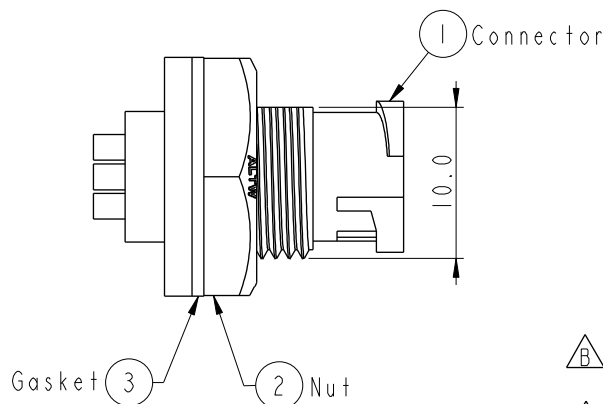
**ALTW**  
**CONFIDENTIAL**  
 2019-02-19  
**R&D DEPT.**



Pin Assignments  
Front View



Recommended Panel Cut-Out



Note:  $\triangle E$

- \*  $\text{CC}$  Important Dimension
- \* Waterproof Rate: IP67, Unmated
- \* Housing: Thermoplastic, Black
- \* Pin: Copper Alloy, Gold Plated
- \* Nut: Thermoplastic, Black
- \* Gasket: Rubber, Black
- $\triangle B$ \* Use with waterproof cap or dust cap  
Panel Thickness max: 2.5mm
- $\triangle B$ \* Use without waterproof cap or dust cap  
Panel Thickness max: 3.5mm
- \* Gasket and Nut are packed separately in PE bags.

UNIT:mm  TOLERANCE .X ±0.25 .XX ±0.1 .XXX ±0.05 ANGLES ±1°	TITLE Mini Panel Lock 5Pin M Conn. M Pin			<b>Amphenol LTW</b> 安費諾亮泰企業股份有限公司	ITEM NO AU-05PMMS-LC7001	DRAWN BY Ruru	DATE 2019-02-19
	SCALE 2:1	SIZE A4	SHEET 1 OF 1		DWG NO AU-05PMMS-LC7001	CHECKED BY Rita	DATE 2019-02-19
	REV. F	WC-REV. A.2	$\text{CC}$ : Inspection item		CUSTOMER ALTW	APPROVED BY Max	DATE 2019-02-19
					W10814-03-01A2		