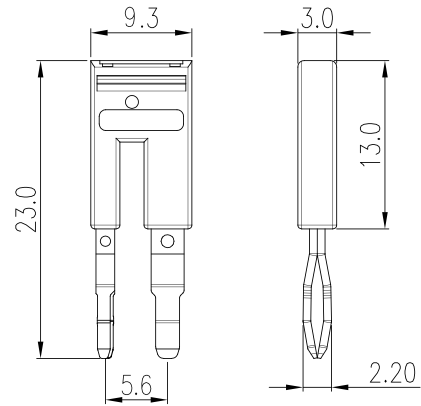


# DSD03-2.5/4



DIN Rail Terminal Blocks > Accessories > Plug-in bridge



## Specification

|                      |  |
|----------------------|--|
| Product description  | Plug-in bridge   |
| Color                | Red  |
| Housing material     | PA   |
| PIN material         | Copper Alloy   |
| Housing material     | Tin Plated   |
| Inflammability class | UL94-V0  |
| Position             | /  |
| Compatible products  | DP2.5N, DP4N, DP2.5N-TN, DP4N-TN, DP2.5N-TR, DP4N-TR, DPD10-P001, DPD16-P001 |
| Package              | 100 pcs/box  |