

# LED EP30-11W6050es

Bulb Class: PAR30

**5000K**  
CCT

## Product Description

**LED EP30-11W6050es** delivers superior brightness, valuable energy savings and long lasting performance. This PAR30 LED Short Neck bulb is ideal for ambient lighting or general purpose applications due to its uniform \*Cool white light (5000K) and replaces conventional 75 Watt incandescent light bulbs.



**Estimated Energy Cost:** \$1.32 per year



\*Note: Design, features and specifications subject to change without notice. Some features may not be available on all models. Please visit [www.eurilighting.com](http://www.eurilighting.com) or call 1-310-787-1100 for more information.

## Specifications

Input Power	Input Voltage	Lumen Output	Beam Angle	Center Beam	CCT
11 W	120V	850 lm	40°	N/A	5000 K
CRI	Luminous Efficacy	Power Factor	Input Current	Base/Cap	Lamp Lifespan
80	77.3 lm/W	0.7	0.13 A	E26	25,000 Hrs.

### Product Features



Dimmable

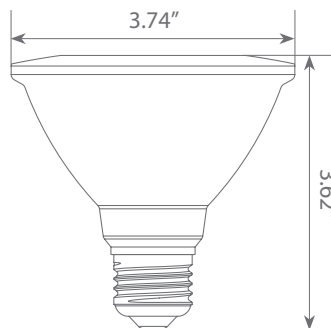


Energy Efficient

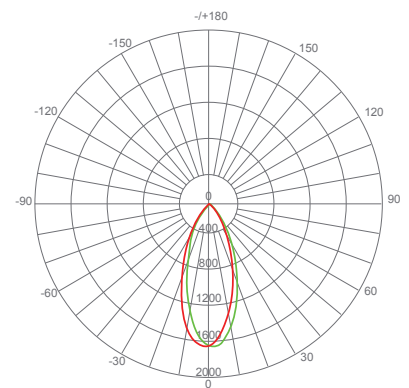


Damp Rated

### Product Dimensions



### Product Photometric Data



**Euri Lighting | A Division of IRTRONIX Inc.**