



## PFC-2828-2

### Stainless Steel Float

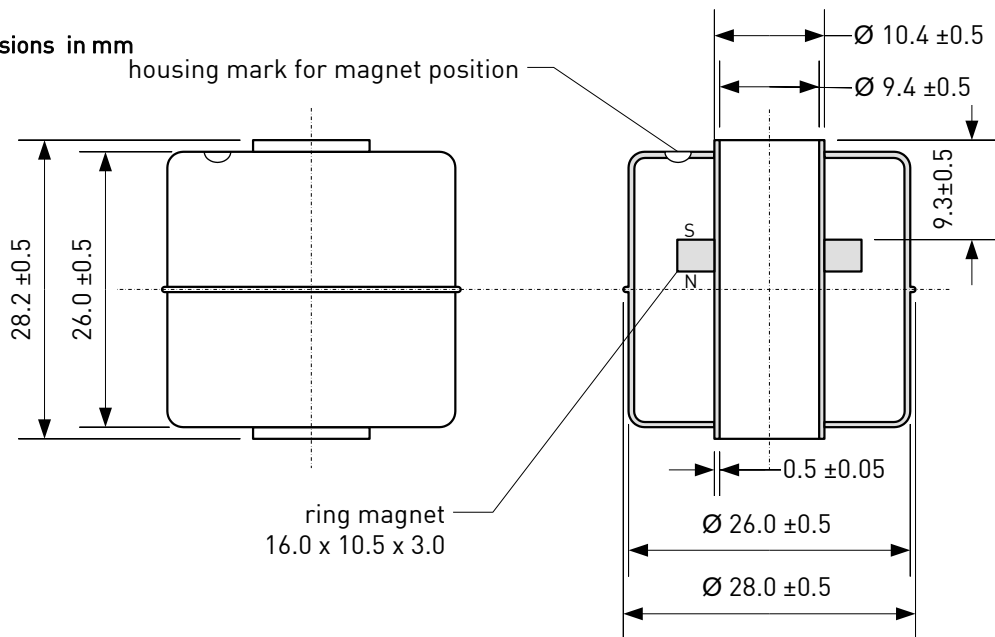
#### Data

Float housing	Stainless Steel S316L, mechanically polished
Magnet	Ferrite
Magnetical Orientation	axially

Remanence Br	mT	225
Coercivity HcB	kA/m	151
Coercivity HcJ	kA/m	271
Energy density BHmax.	mT	0.105
Operating Temperature	°C	-40 to 150

Nominal values unless otherwise specified.

#### Dimensions in mm



#### Mechanical Characteristics

@ 25°C

Density of float typ. *	g/cm <sup>3</sup>	0.7
Recommended minimum gravity of medium	g/cm <sup>3</sup>	Density of float + 20%
Pressure max.	MPa	1.0

\* In delivery condition

#### Ordering Information

Packing Unit	500 pcs
Weight per piece	8.0 g ± 0.5g