

Description : 50 Ohms Terminated SP4T 3GHz SMA N/O 12V D-SUB SWITCH  
 Options : TTL DRIVE / SUPP. DIODES

Issue 12.12.12  
 Page 1/2

**RF CHARACTERISTICS**

Number of ways : 4  
 Frequency range : 0 - 3 GHz  
 Impedance : 50 Ohms

Frequency (GHz)	0 - 3
VSWR max	1.20
Insertion loss max	0.20 dB
Isolation min	80 dB
Average power (*)	240 W

TERMINATION IMPEDANCE : 50 Ohms  
 TERM. AVG. POWER AT 25° C : 1 W per termination  
 3 W total power

**ELECTRICAL CHARACTERISTICS**

Actuator : NORMALLY OPEN  
 Nominal current \*\* : 250 mA  
 Actuator voltage (Vcc) : 12V (10.2 to 13V) / NEGATIVE COMMON  
 Terminals : 25 pins D-SUB male connector  
 TTL inputs (E) - High level : 2.2 to 5.5 V / 800µA at 5.5 V  
 - Low level : 0 to 0.8 V / 20µA at 0.8 V

**MECHANICAL CHARACTERISTICS**

Connectors : SMA female per MIL-C 39012  
 Life : 2.000.000 cycles per position  
 Switching Time\*\*\* : < 15 ms  
 Construction : Splashproof  
 Weight : < 250 g

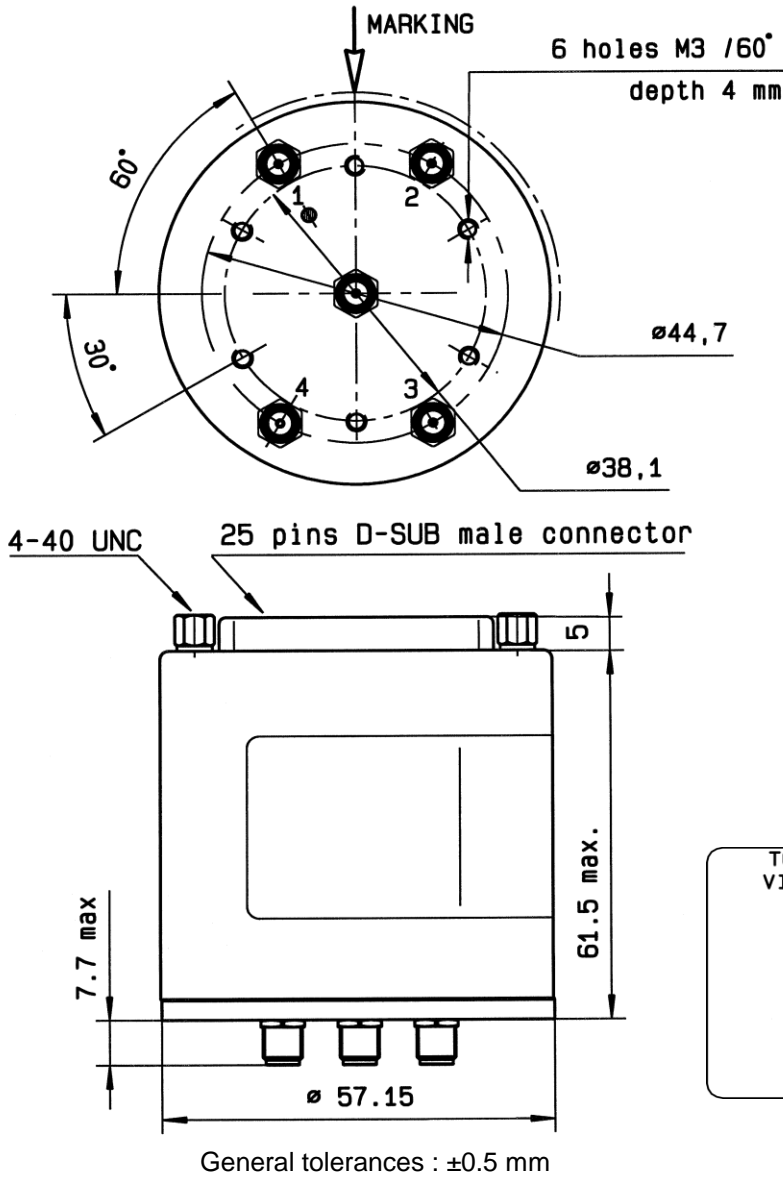
**ENVIRONMENTAL CHARACTERISTICS**

Operating temperature range : -40°C to +85°C  
 Storage temperature range : -55°C to +85°C

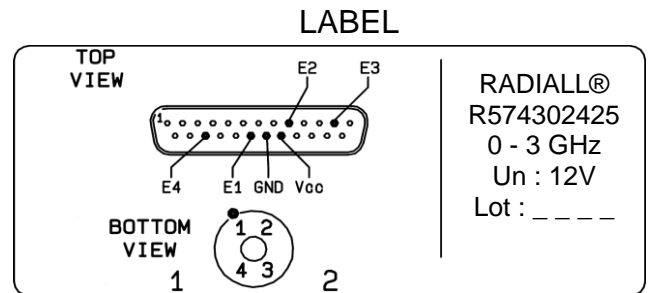


(\* Average power at 25°C per RF Path)  
 (\*\* At 25° C ±10%)  
 (\*\*\*) Nominal voltage ; 25° C)

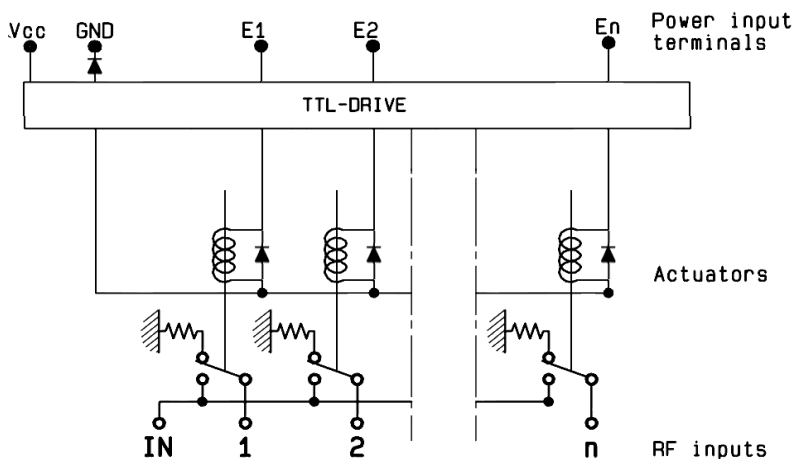
**DRAWING**



TTL input	RF Continuity
E1 = 1	IN ↔ 1
E2 = 1	IN ↔ 2
E3 = 1	IN ↔ 3
E4 = 1	IN ↔ 4



**SCHEMATIC DIAGRAM**



This information is given as an indication. In order to improve our products, we reserve the right to make any modifications judged necessary