

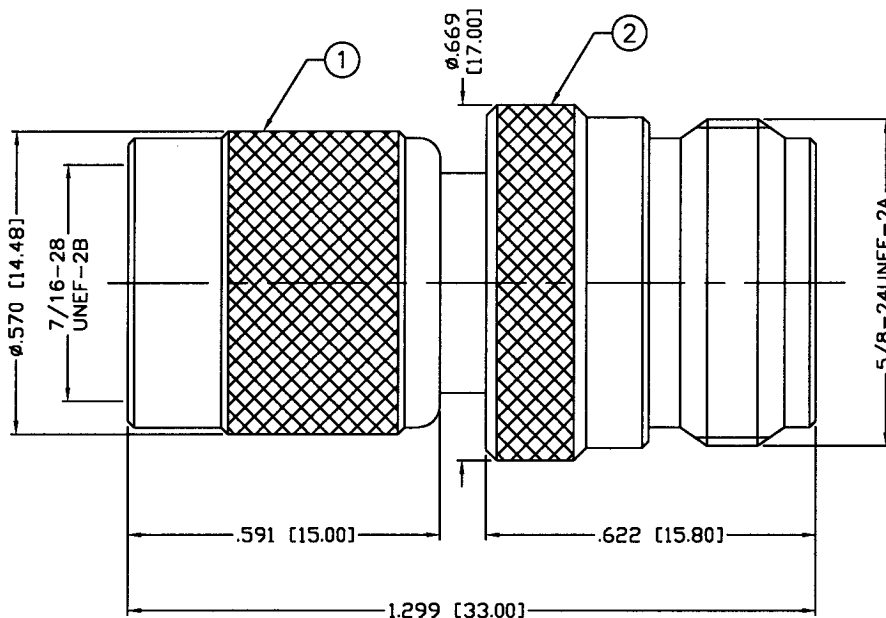
THIS DRAWING CONTAINS INFORMATION PROPRIETARY TO RF INDUSTRIES.  
 ANY UNAUTHORIZED USE OF THIS DRAWING IS EXPRESSLY PROHIBITED  
 WITHOUT WRITTEN PERMISSION FROM RF INDUSTRIES.  
 ANY VIOLATION IS PUNISHABLE UNDER U.S. COPYRIGHT LAWS.

ALL DIMENSIONS ARE REFERENCE ONLY

PART NO.

**RFT-1234**

REV	DESCRIPTION	DWN	DATE	APPROVED
A	ENGINEERING RELEASE	CZS	11/13/97	R. RICE
B	CHG BODY AND SHELL LENGHT / CHANGE ELECTRICAL SPECS	CZS	10/9/98	R. RICE
C	UPDATE DRAWING FORMART & SPECS	CZS	2/5/99	R. RICE



**SPECIFICATIONS:**

IMPEDANCE: 50 Ohms  
 FREQUENCY RANGE: 0-7 GHz  
 WORKING VOLTAGE: 500 V rms Max. @ Sea Level  
 INSULATION RESISTANCE: 5k M Ohms min.  
 TEMPERATURE RANGE: -65°C TO 85°C

1	SHELL	1	BRASS	NICKEL, 100μ"
2	BODY	1	BRASS	NICKEL, 100μ"
3	INSULATOR	1	PTFE	---
4	CONTACT	1	PHOS BRONZE	GOLD, 3μ"
5	GROUND RING	1	BRASS	NICKEL, 100μ"
6	GASKET	1	RUBBER	---
7	RETAINING RING	1	BRASS	NICKEL, 100μ"
8	RING	1	DELIRIN	---
9	WASHER	1	BRASS	NICKEL, 100μ"

008974

UNLESS OTHERWISE SPECIFIED:

1. REMOVE ALL BURRS
2. BREAK ALL CORNERS & EDGES .005 R. MAX.
3. CHAMFER 1ST & LAST THREADS 45°
4. SURFACE ROUGHNESS 63 FINISH MIL-STD-10
5. DIAMETERS ON COMMON CENTERS TO BE CONCENTRIC WITHIN .002 T.I.R.
6. ALL DIMENSIONS ARE AFTER PLATING.

DIMENSIONS ARE IN INCHES AND [MILLIMETERS]

UNLESS OTHERWISE NOTED TOLERANCES ARE:

DECIMALS	DIAMETER
.xxx±.003 [.08]	.xxx±.001 [.03]
.xx±.005 [.13]	.xx±.003 [.08]

**RF connectors**  
 DIVISION OF RF INDUSTRIES, LTD.

7610 MIRAMAR RD  
 SAN DIEGO, CA 92126  
 (858) 549-6340  
 (858) 549-6345 FAX

**TNC PLUG TO N JACK**

ADAPTER

SIZE	CABLE GROUP	DWG NO.	REV
A	N/A	RFT-1234	C

SCALE:

NTS

CAD FILE

OUTLINE

SHEET 1 OF 1

#	DESCRIPTION	QTY	MATERIAL	FINISH	APPROVALS	DATE
10						
11						
12						
13						
14						

DRAWN	C. ZUNIGA	2/21/03
CHECKED	<i>[Signature]</i>	2/21/03
ORJ DRAWN	C. ZUNIGA	11/13/97