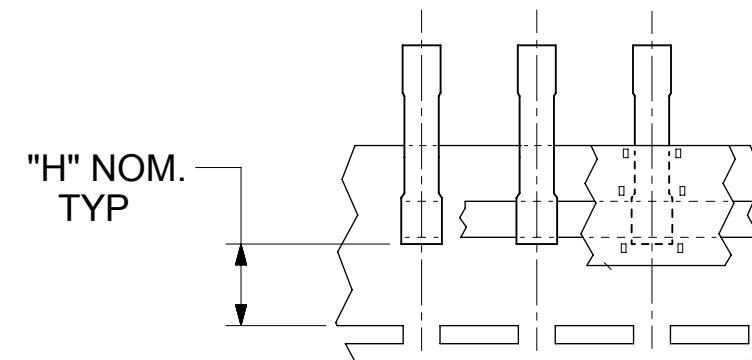
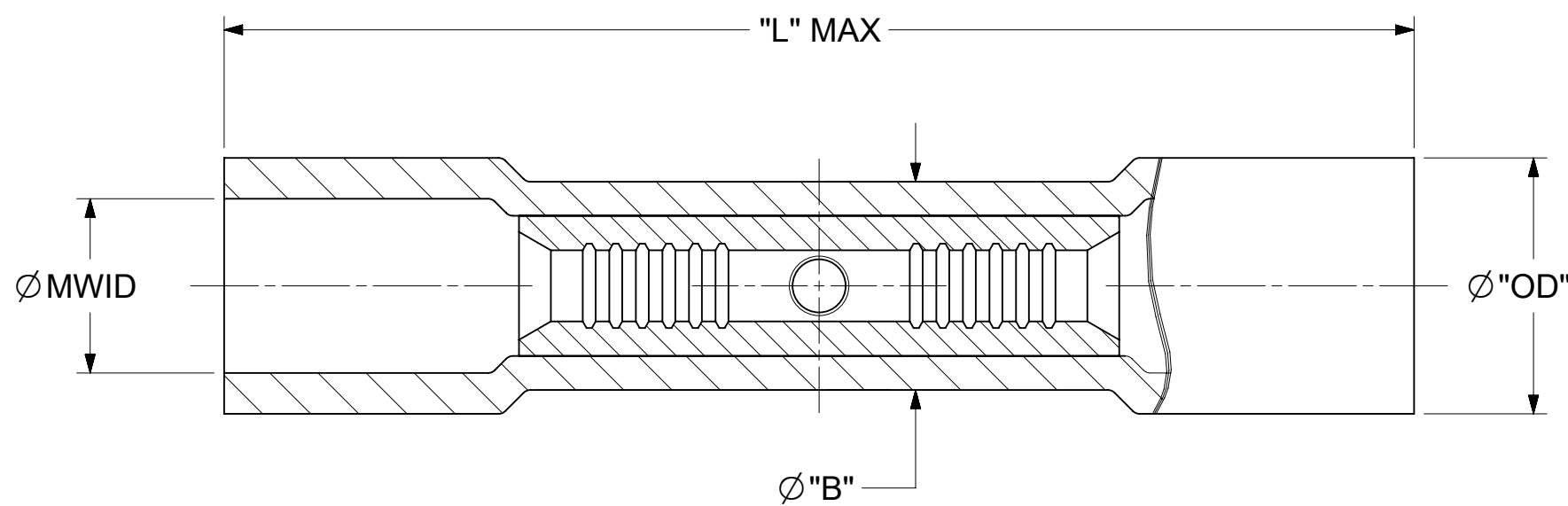
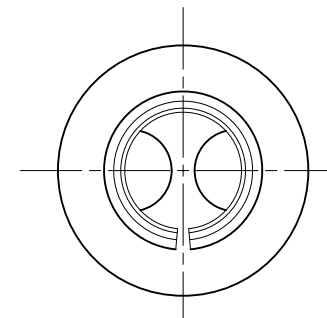


| MATERIAL NO. | ENG. NO. | MATERIAL NO. (TAPED) | ENG NO. (TAPED) | COLOR | MWID | OD (MAX) | "L" MAX | "B" (MAX) | ID (MIN) | "H" (NOM) |
|--------------|----------|----------------------|-----------------|--------|-------------|-----------|-------------|-----------|-------------|------------|
| 191540004 | A-245X | 191540006 | A-245XT | RED | .150 (3.81) | .24 (6.1) | .98 (24.9) | .20 (5.1) | .060 (1.52) | .49 (12.4) |
| 191540015 | B-231X | 191540017 | B-231XT | BLUE | .175 (4.45) | .27 (6.9) | 1.00 (25.4) | .24 (6.1) | .080 (2.03) | |
| 191540028 | C-246X | 191540030 | C-246XT | YELLOW | .260 (6.60) | .36 (9.2) | 1.14 (29.0) | .30 (7.6) | .125 (3.17) | .43 (10.9) |



TAPE MOUNTED PARTS



NOTES:

1. MATERIALS: PVC INSULATION OVER TIN-PLATED COPPER SPLICE.
2. COLOR: SEE CHART.
3. MWID = MAXIMUM WIRE INSULATION DIAMETER
4. PARTS ARE RoHS COMPLIANT.

| | | | | | | | | | | | |
|---|---------------------------------------|----|-------|------------------------|---|---------|--------|-----------------|--|----------------|--|
| THIS DRAWING CONTAINS INFORMATION THAT IS PROPRIETARY TO MOLEX ELECTRONIC TECHNOLOGIES, LLC AND SHOULD NOT BE USED WITHOUT WRITTEN PERMISSION | | | | | | | | | | | |
| FUNCTIONAL SYMBOLS FA = 0 FE = 0 FP = 0 | DIMENSION UNITS | | SCALE | | CURRENT REV DESC: "L MAX" DIM UPDATE: .98 WAS .97 & 1.00 WAS .98 | | | | | | |
| | INCH/MM | | NTS | | EC NO: 713658 DRWN: DMYRICK 2022/07/08 CHKD: THEANY 2022/07/11 APPR: THEANY 2022/07/11 INITIAL REVISION: DRWN: ETHRODAHL 2009/07/09 APPR: JMACNEIL 2009/07/09 | | | | | | |
| | GENERAL TOLERANCES (UNLESS SPECIFIED) | | | | | | | | | | |
| | | MM | INCH | | | | | | | | |
| DIVISIONAL SYMBOLS | 4 PLACES | ± | | ± | PRODUCT CUSTOMER DRAWING DOCUMENT NUMBER: SD-19154-006 DOC TYPE: PSD DOC PART: 001 REVISION: A1 | | | | | | |
| | 3 PLACES | ± | | ± 0.005 | | | | | | | |
| | 2 PLACES | ± | 0.13 | ± 0.01 | | | | | | | |
| | 1 PLACE | ± | 0.25 | ± | | | | | | | |
| | 0 PLACES | ± | | ± | MATERIAL NUMBER: SEE CHART CUSTOMER: GENERAL MARKET SHEET NUMBER: 1 OF 1 | | | | | | |
| | ANGULAR TOL | ± | 0.5° | | | | | | | | |
| DRAFT WHERE APPLICABLE MUST REMAIN WITHIN DIMENSIONS | | | | THIRD ANGLE PROJECTION | | DRAWING | SERIES | MATERIAL NUMBER | | CUSTOMER | |
| | | | | | | B-SIZE | 19154 | SEE CHART | | GENERAL MARKET | |