

NOTES:

1. MATERIALS AND FINISHES:
 BODY - BRASS, NICKEL PLATING
 CONTACT PIN - PHOSPHOR BRONZE, GOLD PLATING
 INSULATOR - PTFE, NATURAL
 LOCK RING - BRASS, GOLD PLATING
 FERRULE - BRASS, NICKEL PLATING

2. ELECTRICAL:
 A. IMPEDANCE: 75 OHM
 B. FREQUENCY RANGE: DC - 12 GHz
 C. RETURN LOSS (VSWR): 20dB (1.22) DC-6 GHz
 15dB (1.43) 6-12 GHz
 D. DIELECTRIC WITHSTANDING VOLTAGE: 1500 VRMS, MIN.

3. MECHANICAL:
 A. DURABILITY: 500 CYCLES MIN.
 B. TEMPERATURE RANGE: -30°C TO +85°C

4. CRIMPED FERRULE
 HEX. CRIMP SIZE .319"

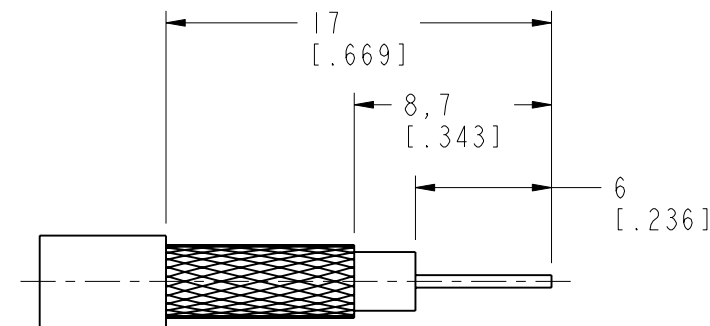
5. CRIMPED CONTACT PIN
 SQ. CRIMP SIZE .042"

6 SHOWS CABLE ENTRY DIMENSIONS

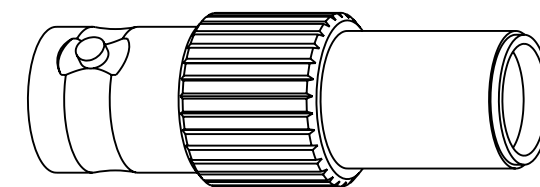
7. PACKAGING:
 A. QUANTITY: SINGLE PACK
 B. BAG TO BE MARKED: AMPHENOL RF
 31-70547-12G
 YYWW

THIRD ANGLE PROJ.

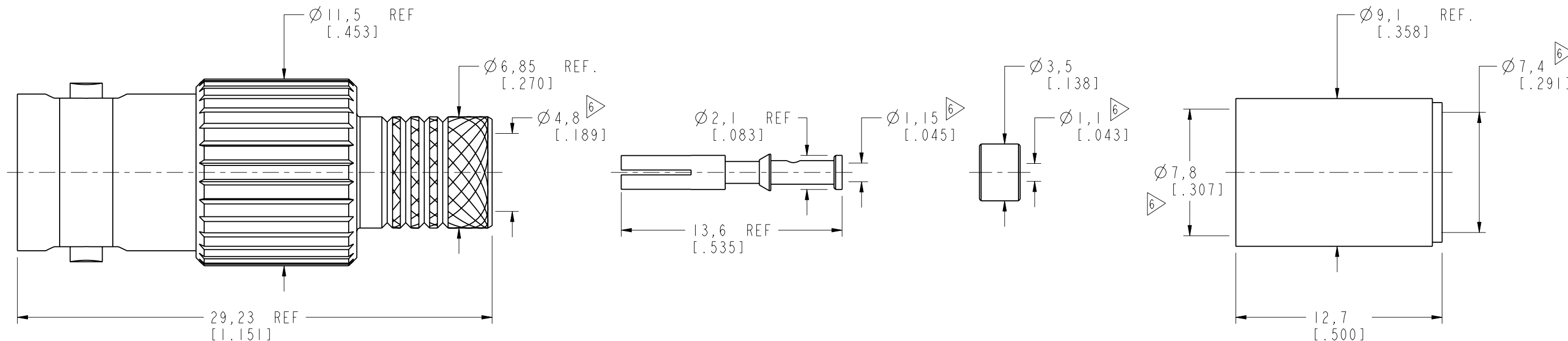
		REVISIONS			
REV	DESCRIPTION	DATE	ECN	APPR	
A	RELEASE TO MFG.	12-May-18	08066	SV	
B	CONTACT AND BODY WERE CHANGED.	28-Mar-19	11182	SV	



RECOMMENDED
CABLE STRIPPING DIMENSIONS



SCALE 2.000



CUSTOMER OUTLINE DRAWING

ALL OTHER SHEETS ARE FOR INTERNAL USE ONLY

UNLESS OTHERWISE SPECIFIED, DIMENSIONS ARE IN METRIC AND TOLERANCES ARE: <0.5mm ±0.05mm 0.5 - 6mm ±0.1mm 6 - 30mm ±0.2mm 30 - 120mm ±0.3mm ANGLES ±1°	MATERIAL SEE NOTES	DRAWN STAR	DATE 09-Apr-19	TITLE BNC CRIMP JACK FOR BELDEN 4694R CABLE	Amphenol RF www.amphenolrf.com	
	REFERENCE EAR# 8048	ENGINEER SUNDE	DATE 17-May-18			DRAWING NO. 31-70547-12G
NOTICE - These drawings, specifications, or other data (1) are, and remain the property of Amphenol corp. (2) must be returned upon request; and (3) are confidential and not to be disclosed to any person other than those to whom they are given by Amphenol Corp. the furnishing of these drawings, specifications, or other data by Amphenol Corp., or to any other person to anyone for any purpose is not to be regarded by implication or otherwise in any manner licensing, granting rights to permitting such holder or any other person to manufacture, use or sell any product, process or design, patented or otherwise, that may in any way be related to or disclosed by said drawings, specifications, or other data.	REF:	APPROVED S.HSIEH	DATE 09-Apr-19	SCALE: 4.0:1.0 SHEET 2 OF 2	ITEM NO. 31-70547-12G	
	CONFIGURATION LEVEL: In Work	FINISH	CAD FILE		DWG SIZE B	REV B