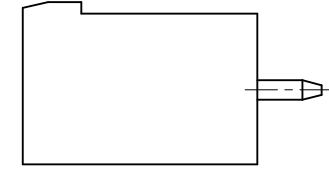
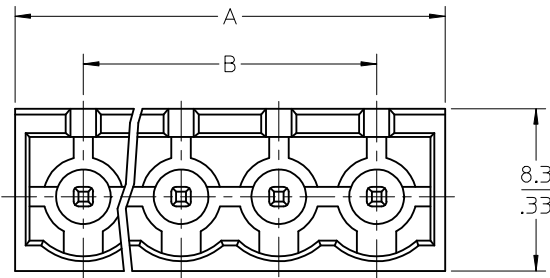
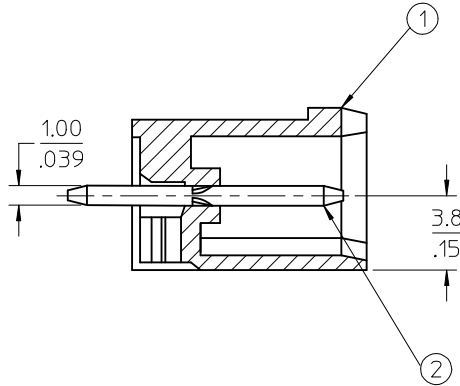
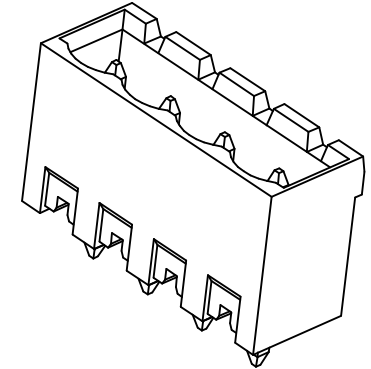
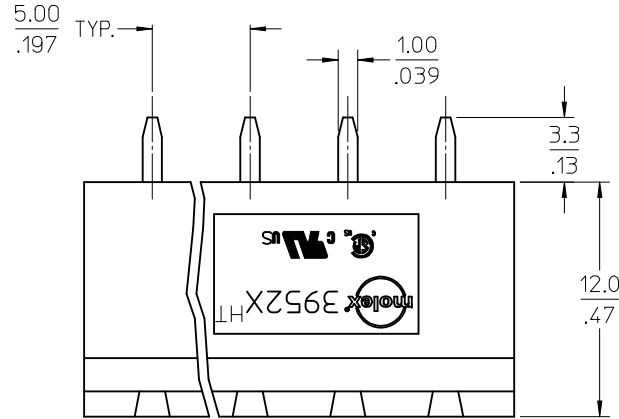


CIRCUIT SIZE	MATERIAL NO.	Dimensional Information				PACKAGING SPECIFICATION
	Black	DIM. "A"		DIM. "B"		
	100% Tin	mm	in	mm	in	
03	395290026	17.0	0.67	10.00	0.39	PK-39529-001
04	395290027	22.0	0.87	15.00	0.59	PK-39529-002



TOLERANCES			
MM	TOL	INCH	TOL
0-6	±0.25	0-.24	±.010
>6-30	±0.40	.24-1.18	±.016
>30-120	±0.50	1.18-4.76	±.020
>120	±0.80	>4.76	±.031

SPECIFICATIONS:

- MATERIAL:
  - BODY: NYLON 46 (PA 46).
  - PIN: BRASS.
- PRODUCT SPECIFICATION: PS-39500-001.
- PACKAGING SPECIFICATION: SEE TABLE.
- ASSEMBLY IS ROHS COMPLIANT.

REVISED DOC TOL EC NO: IFC2017-0881 DRAWN: CRADDOREMS 2017/03/23 CHKD: APPR: BRUPERT 2017/04/18 REV A1	QUALITY SYMBOLS	GENERAL TOLERANCES (UNLESS SPECIFIED)	DIMENSION STYLE	SCALE	DESIGN UNITS	THIRD ANGLE PROJECTION	
	▼=0 ∇=0	mm INCH 4 PLACES ± --- ± --- 3 PLACES ± --- ± --- 2 PLACES ± --- ± --- 1 PLACE ± --- ± --- ANGULAR ± ---°	MM/IN	DRAWN BY DATE C. YORK 2009/06/24 CHECKED BY DATE D. TITUS 2009/06/24 APPROVED BY DATE D. TITUS 2009/06/24	INCH	MILEX INCORPORATED SD-39529-003	SHEET NO. 1 OF 1
	DRAFT WHERE APPLICABLE MUST REMAIN WITHIN DIMENSIONS		SEE CHART	THIS DRAWING CONTAINS INFORMATION THAT IS PROPRIETARY TO MOLEX INCORPORATED AND SHOULD NOT BE USED WITHOUT WRITTEN PERMISSION			