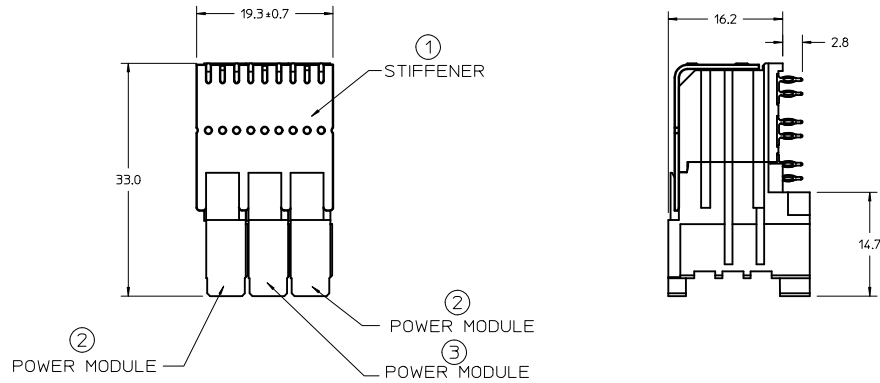
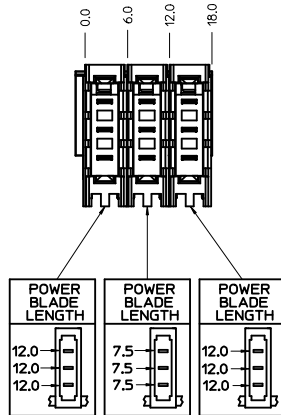


CUSTOMER: ZTE



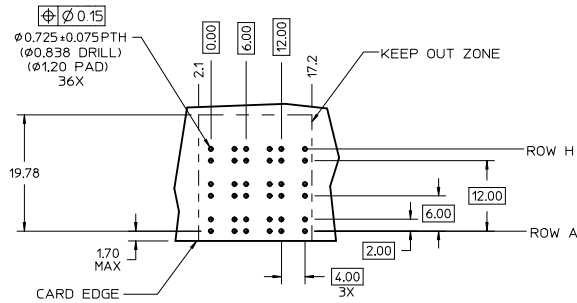
NOTES:

- MATERIALS: HOUSING - LIQUID CRYSTAL POLYMER (LCP), GLASS-FILLED, UL 94V-0.
TERMINALS - HIGH PERFORMANCE COPPER ALLOY.
STIFFENER - STAINLESS STEEL.
- FINISH: SELECTIVE GOLD (Au) IN CONTACT AREA, 0.76 micrometers MINIMUM THICKNESS,
SELECTIVE MATTE TIN (Sn) ON PCB TAILS,
NICKEL (Ni) UNDERPLATE OVERALL.
- PRODUCT CONFORMS TO MOLEX PRODUCT SPECIFICATION PS-74031-999.
- PARTS ARE PACKAGED PER PK-70873-5041.
MOUNTING SCREWS WILL BE BAGGED WITH EACH CONNECTOR.
- REFER TO MOLEX DOCUMENT SD-75885-002 FOR ADDITIONAL DETAIL ON THE HSD POWER MODULE.
- PRODUCT CONFORMS TO CLASS B REQUIREMENTS OF MOLEX COSMETIC SPECIFICATION PS-45499-002.



LEAD-FREE
PLATING

ITEM	PART NUMBER	DESCRIPTION	QTY
1	74046-0019	STIFFENER	1
2	75885-8444	POWER MODULE, LF	2
3	75885-8111	POWER MODULE, LF	1



DAUGHTERCARD HOLE PATTERN
(CONNECTOR SIDE)

CHG TO LEAD-FREE IEC NO: UICP2012-2670 DRAWN BY: CHYKSDANIELLEY CHECKED BY: APPROX:SMILLER DATE: 2012/02/23 DATE: 2012/03/22	QUALITY SYMBOLS	GENERAL TOLERANCES (UNLESS SPECIFIED)	DIMENSION STYLE	SCALE	DESIGN UNITS	THIRD ANGLE PROJECTION
	▽=0	mm INCH	MM ONLY	2:1	METRIC	
	▽=0					
	▽=0					
		DRAFT WHERE APPLICABLE MUST REMAIN WITHIN DIMENSIONS	MATERIAL NO.	DOCUMENT NO.	TITLE: VHDM-HSD 8 ROW, LF DAUGHTERCARD SALES DRAWING MOLEX INCORPORATED SD-74680-283	
			74680-0283		SHEET NO. 1 OF 1	