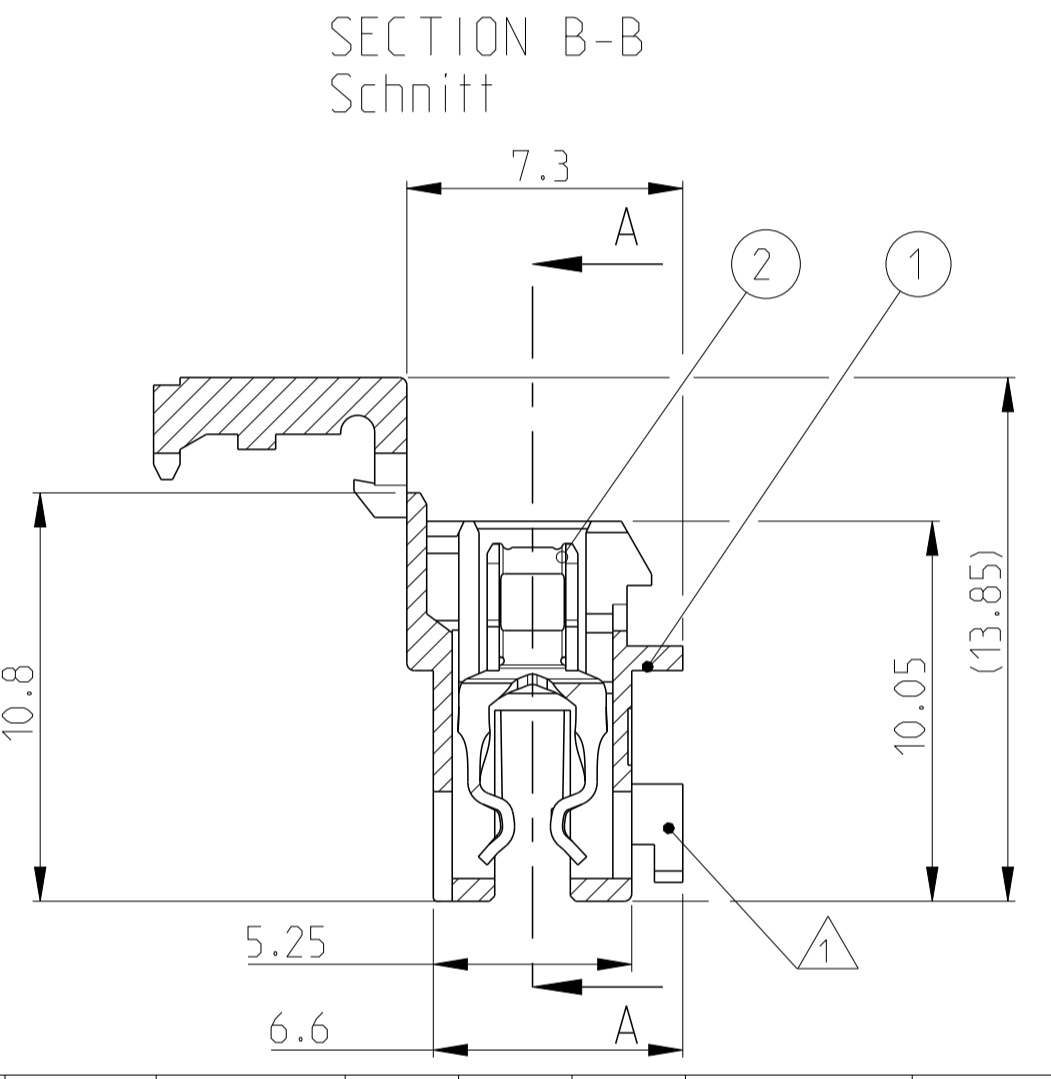
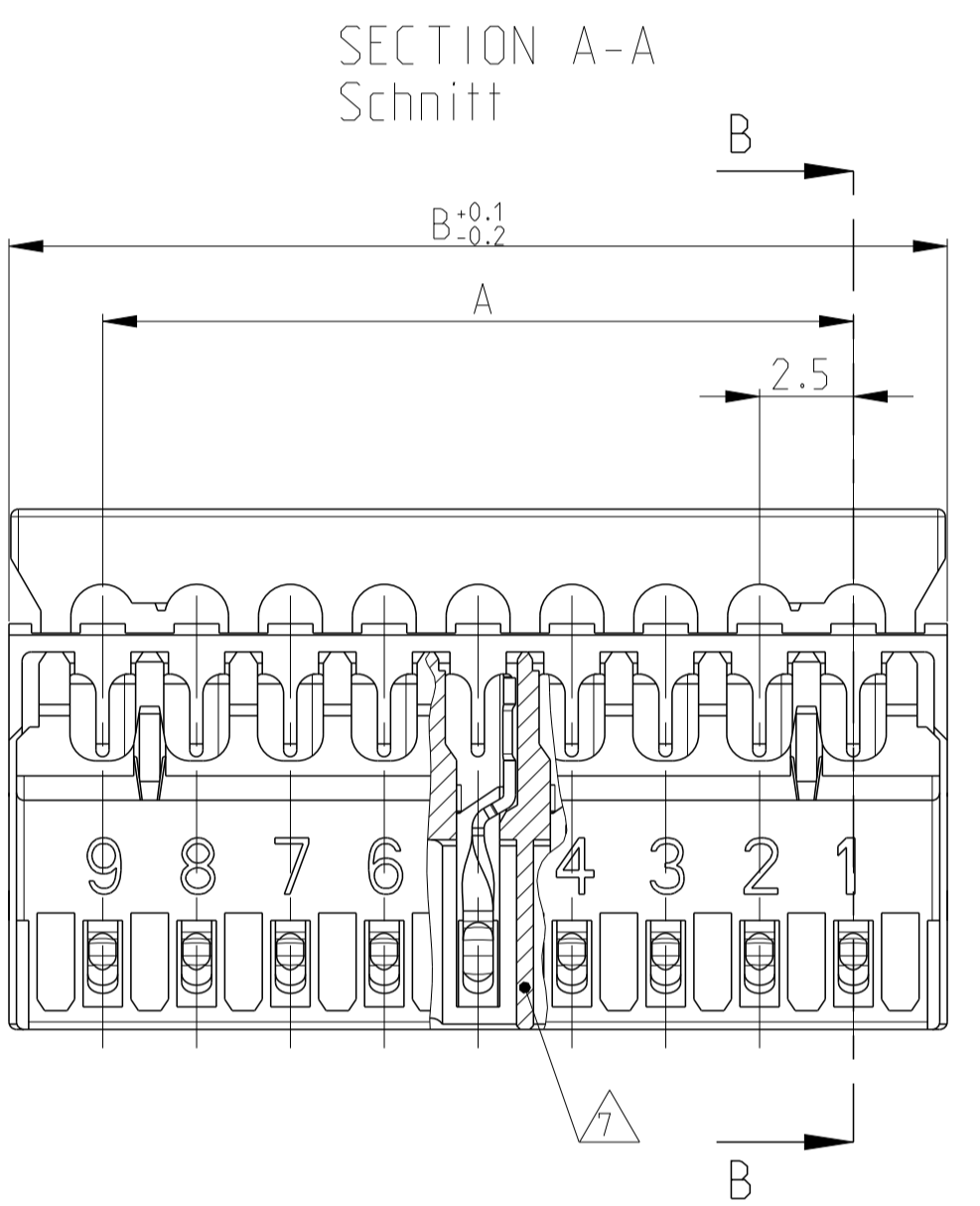
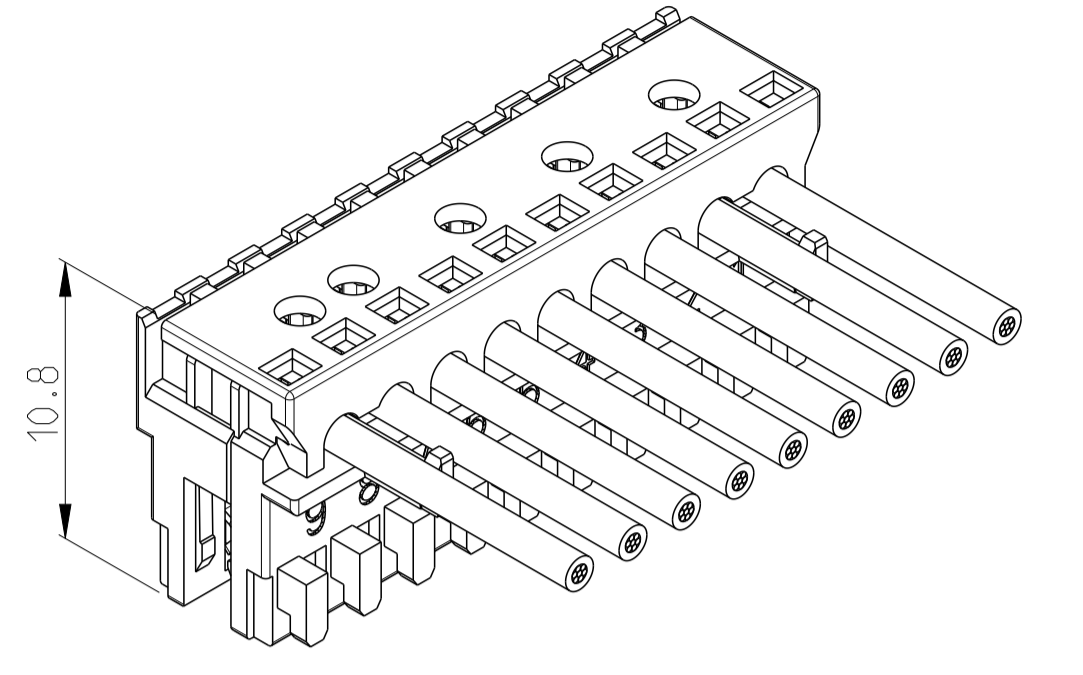
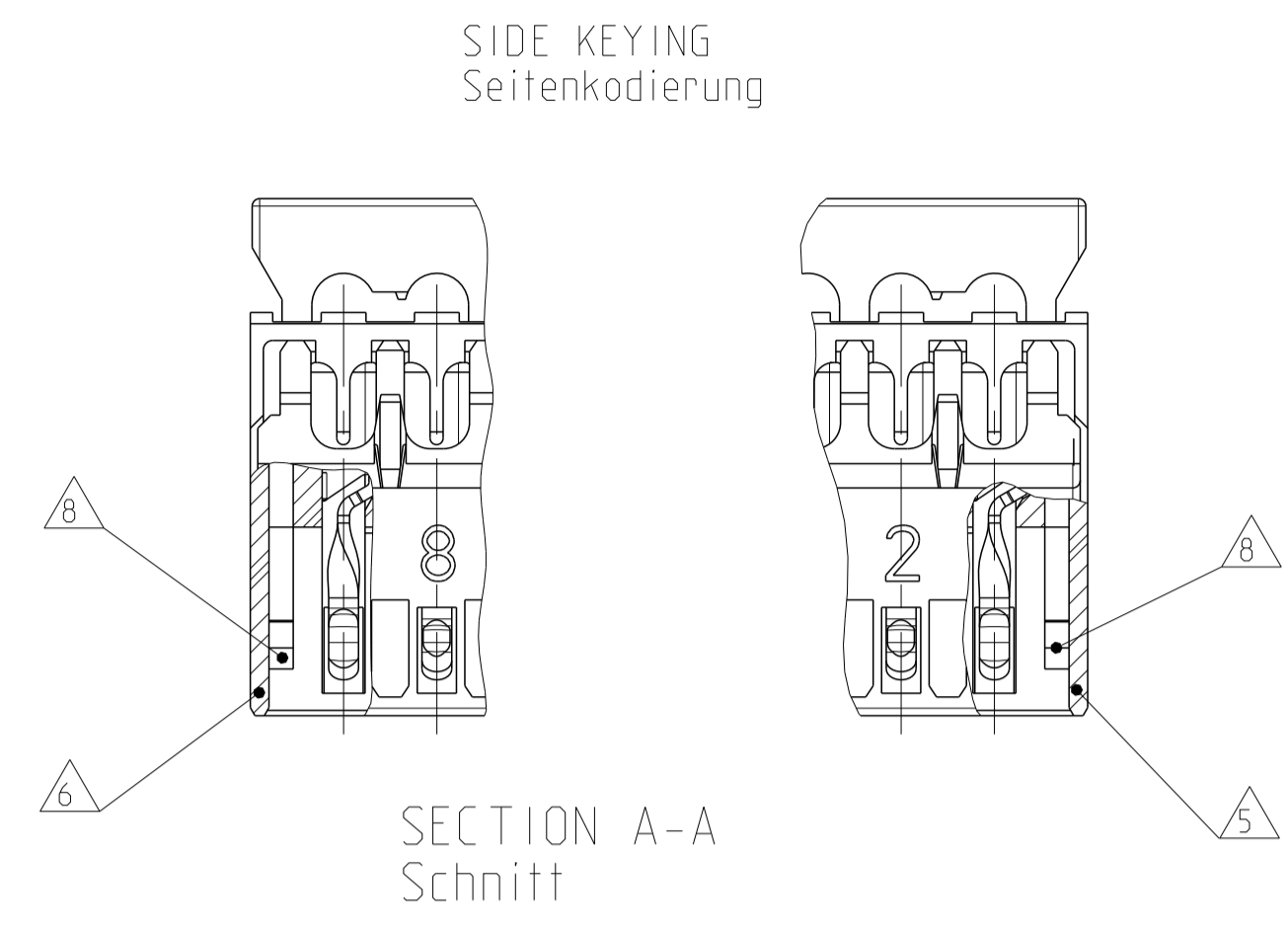
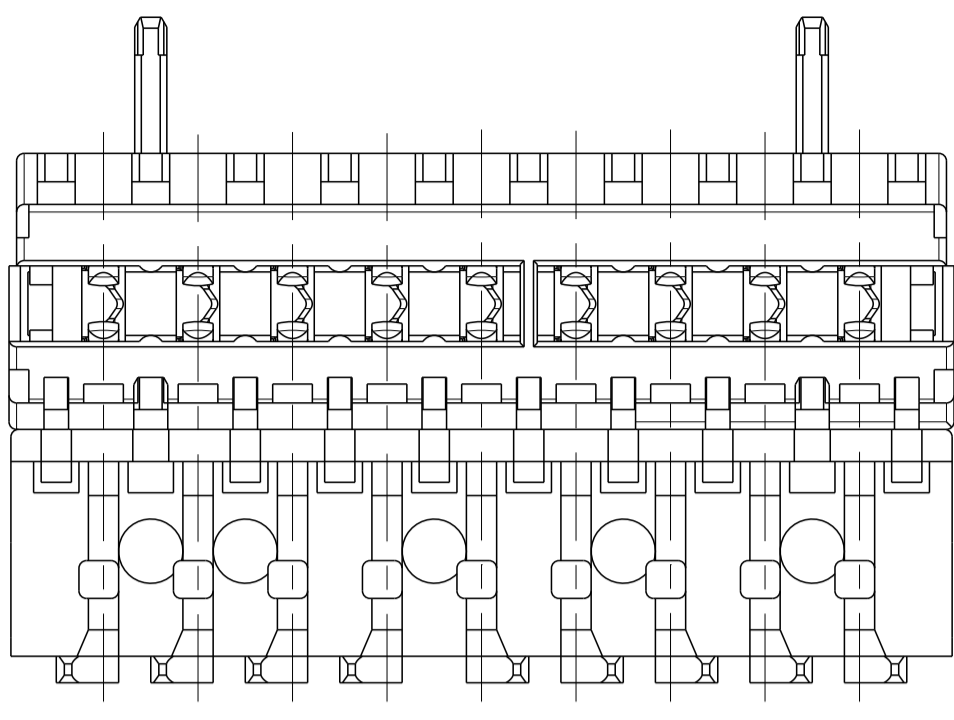


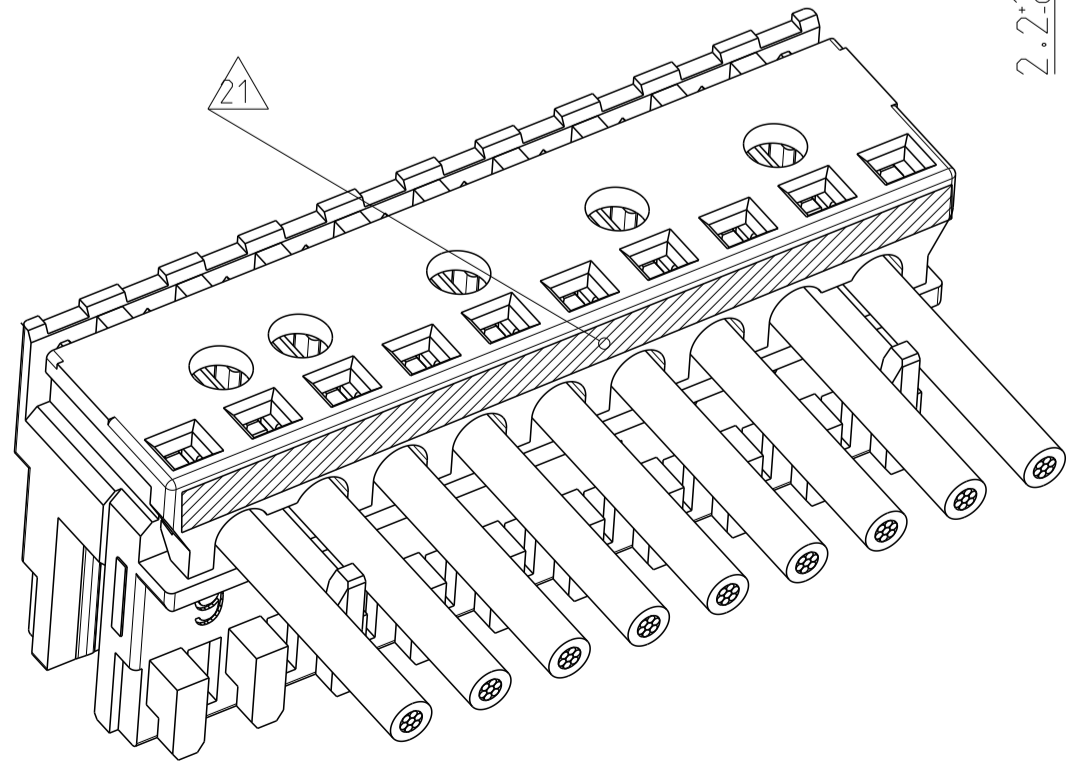
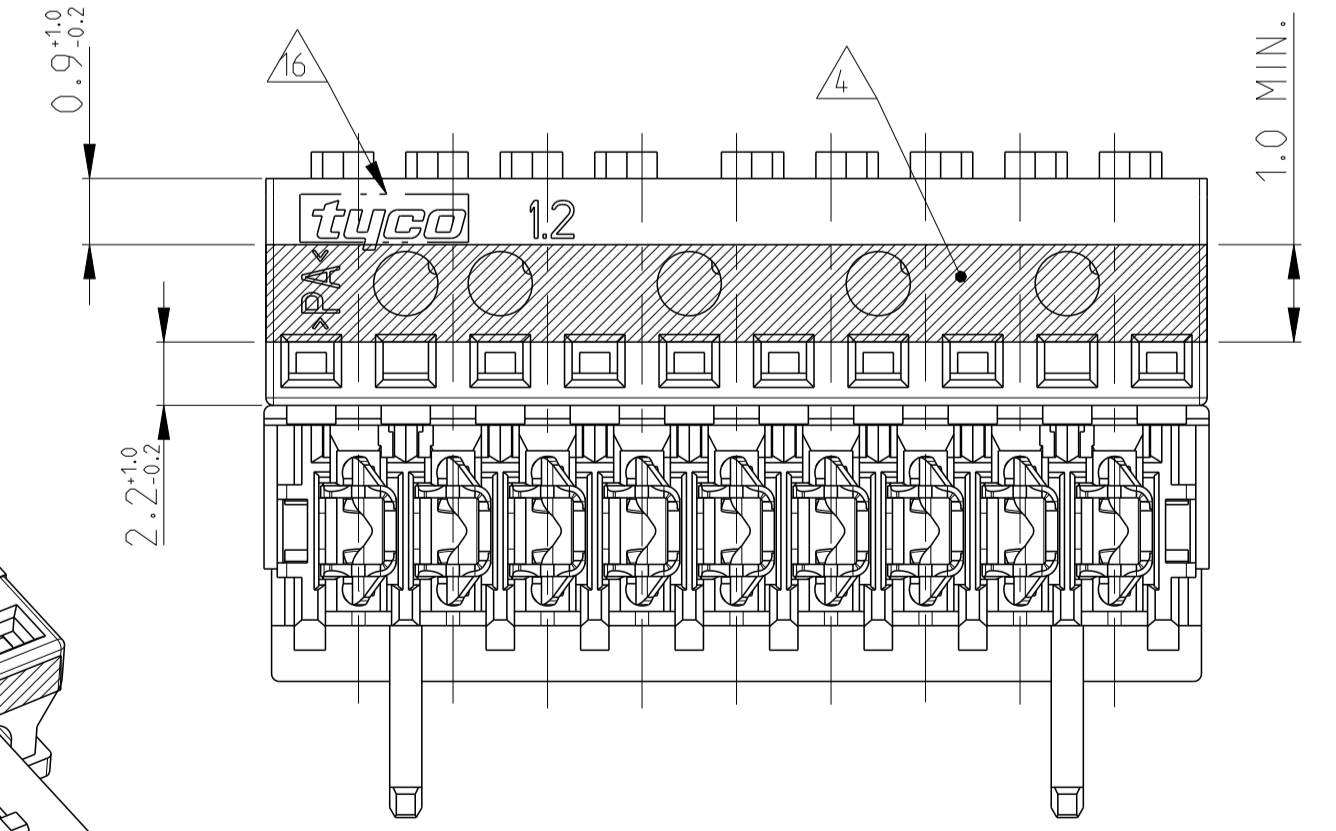
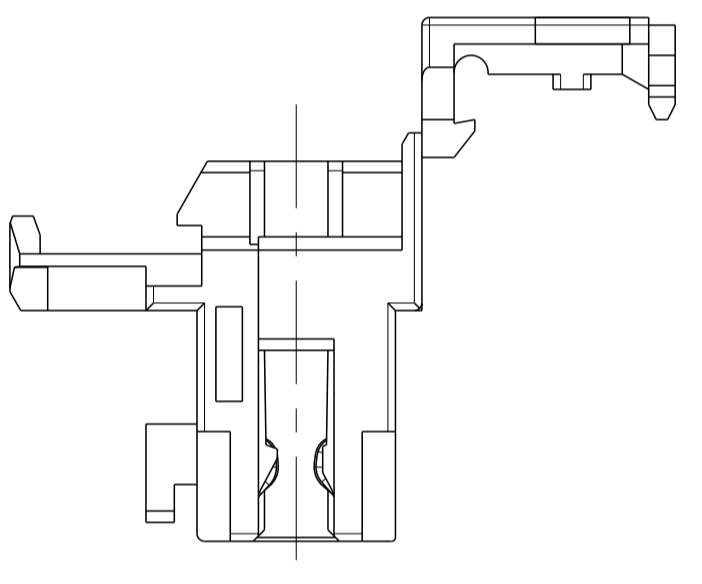
THIS DRAWING IS UNPUBLISHED. ALL RIGHTS RESERVED. COPYRIGHT 2005.

LOC	DIST	REVISIONS					
AI	-	F	LTN	DESCRIPTION	DATE	DWN	APVD
		B23	ECR-21-120057		30DEC2021	PJ	FL
		B24	ECR-22-130961		23MAR2022	SM	FL
		B25	ECR-22-135129		12APR2022	SM	FL



- ▲21 STRIPE IN YELLOW COLOR WHERE SHOWN PRESENT ON THE PARTS PRODUCED IN TE COLLEGNO ONLY
- ▲20 OBSOLETE
- ▲19 SPECIAL PCB LOCKING SEE SHEET 3
- ▲18 SPECIAL PCB LOCKING SEE SHEET 3
- ▲17 PRELIMINARY PART NOT YET RELEASED FOR PRODUCTION
- ▲16 TE LOGO
- ▲15-10 SEE SHEET 2 Siehe Blatt 2
- ▲9 IEC 60695-2-11 / IEC 60335-1 GLOW WIRE TEST 750 °C WITHOUT FLAME
IEC 60695-2-11 / IEC 60335-1 Gluehdrahttest 750 °C ohne Flamme
- ▲8 LOCKING HOOK BEFORE CAVITY NO. 1 AND AFTER LAST CAVITY
Rasthaken vor Kammernummer Nr. 1 und nach letzter Kammer
- ▲7 ADDITIONAL KEYING RIB BETWEEN CAVITY NO.
Zusätzliche Kodierrippe zwischen Kammer Nr.
- ▲6 SIDE KEYING, ON LAST CAVITY
Seitenkodierung, bei letzter Kammer
- ▲5 SIDE KEYING, ON CAVITY NO. 1
Seitenkodierung, bei Kammer Nr. 1
- ▲4 COLOR STRIP ON COVER OF HOUSING. NOT THE COLOR OF HOUSING
- 3 MATING PART: PCB ACCORDING TO SHEET 2 OF 2
Passender Gegenstecker: Leiterplatten siehe Blatt 2 von 2
- 2 WIRE RANGE: 0.22-0.35mm². SEE APPLICATION SPEC. 114-18467
Drahtgrossenbereich: 0.22-0.35mm², siehe Verarbeitungsspec. 114-18467
- ▲1 KEYING RIBS; CUTTING WITH TERMINATION MACHINE POSSIBLE
Kodierrippe; Schneiden auf der Verarbeitungsmaschine möglich

POS. Polzahl	DIM "A"	DIM "B"	KEYING	LOCKING HOOK	LOCKING HOOK	LOCKING HOOK	PN Bestell-Nr.
20	47.5	52.4					
19	45	49.9					
18	42.5	47.4					
17	40	44.9					
16	37.5	42.4					
15	35	39.9					
14	32.5	37.4					
13	30	34.9					
12	27.5	32.4					
11	25	29.9					
10	22.5	27.4	2/3			X	X
9	20	24.9					
8	17.5	22.4	5/6	X	X		X
			3/4	X	X		X
			2/3	X	X		X
7	15	19.9	5/6	X	X		X
6	12.5	17.4	2/3	X	X		X
6	12.5	17.4	-	X	X		X
5	10	14.9	-	X	X		X
5	10	14.9	-	X	X		X
5	10	14.9	4/5	X	X		X
5	10	14.9	-	X	-		X
4	7.5	12.4	-	X	-		X
4	7.5	12.4	3/4	X	X		X
4	7.5	12.4	-	X	X		X
4	7.5	12.4	-	X	X		X
3	5.0	9.9	2/3	-	-		X
3	5.0	9.9	2/3	-	-	X	-
3	5.0	9.9	2/3	-	X		X
3	5.0	9.9	1/2	X	X		X
3	5.0	9.9	1/2	-	-		X
3	5.0	9.9	2/3	X	X		X
3	5.0	9.9	-	X	X		X
3	5.0	9.9	-	X	-		X
3	5.0	9.9	-	X	-		X
3	5.0	9.9	-	X	-		X
2	2.5	7.4	-	-	X		X



THIS DRAWING IS A CONTROLLED DOCUMENT.

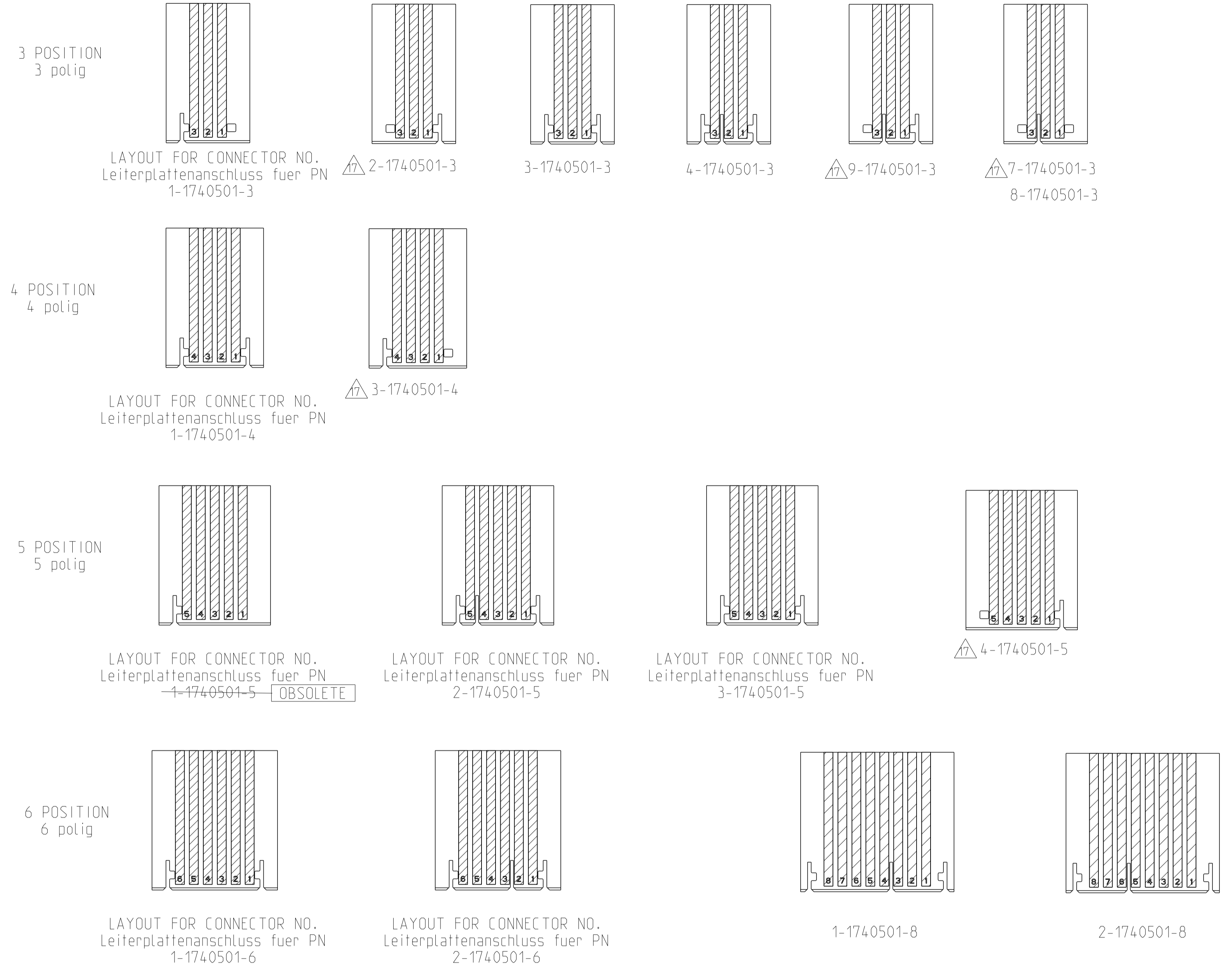
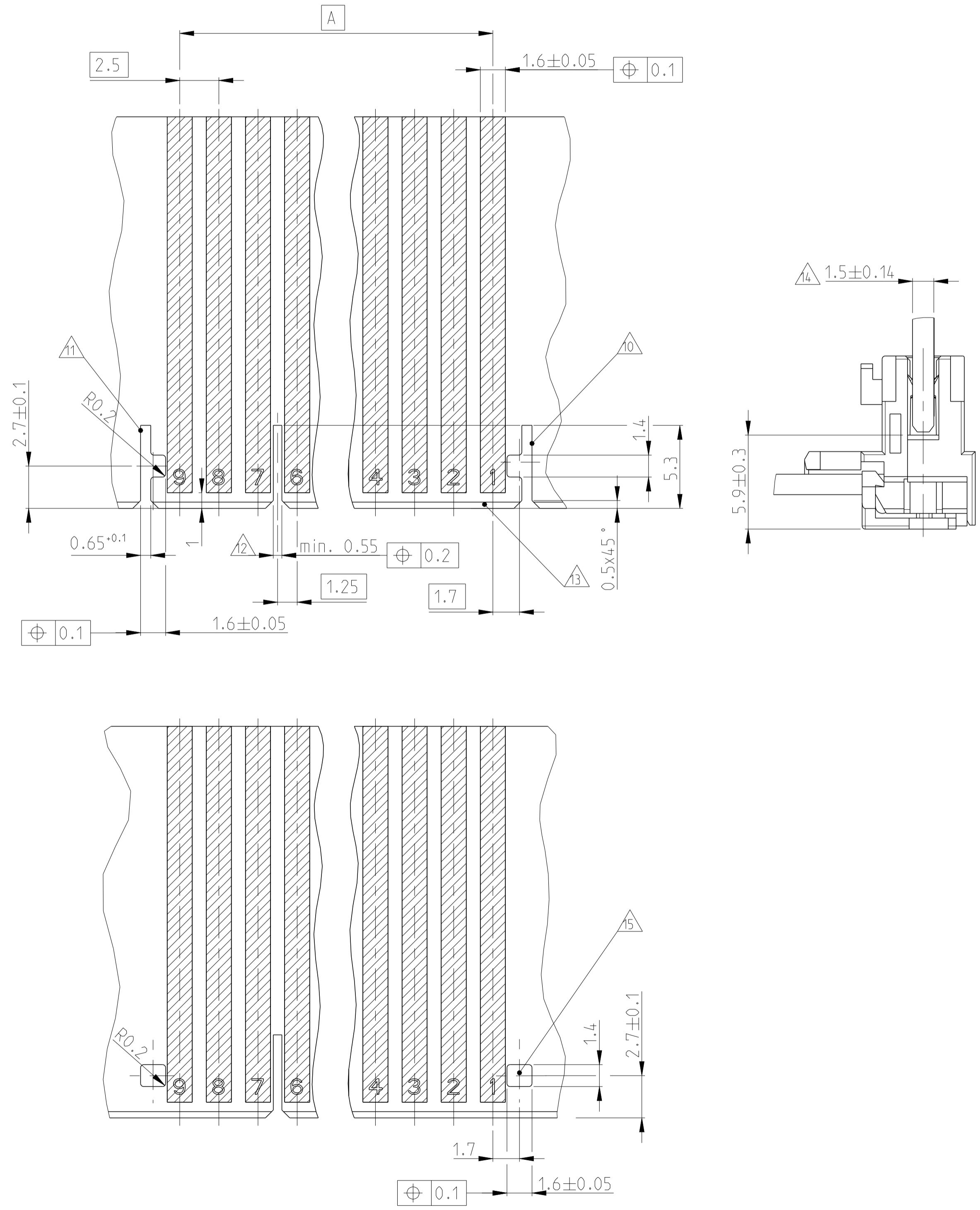
DIMENSIONS: mm	TOLERANCES UNLESS OTHERWISE SPECIFIED: 0 PLC ±0.2 1 PLC ±0.2 2 PLC ±0.2 3 PLC ±0.2 4 PLC ±0.2 ANGLES ±0° FINISH ±1*
-------------------	--

DWN	CHK	APPV	DATE	NAME
H. Alzmann	B. Schnaubelt	T. Klenner	27.10.2005	AMP DUOPLUG 2.5 MKII FEMALE CONNECTOR 3-20 POSITION (WITH PCB LOCKING)

SCALE: 5:1 SHEET 1 OF 3

PCB LAYOUT IN GENERAL
Leiterplattenanschluss allgemein

3-20 POSITION
3-20 polig



- △11 WINDOW FOR LOCKING HOOK
Fenster fuer Rasthaken
- △12 INCLUSIVE COPPER CLADDING, SINGLE OR DOUBLE SIDED
Inklusive Kupferkaschierung, ein oder doppelseitig
- △13 PCB TO BE PREFERABLY CHAMFERED
Leiterplatte vorzugsweise angefast
- △12 SLOT FOR ADDITIONAL KEYING RIB BETWEEN CAVITY NO.
Schlitz fuer zusaetzliche Kodierrippe zwischen Kammer Nr.
- △11 SLOT FOR SIDE KEYING, ON LAST CAVITY
Schlitz fuer Seitenkodierung, bei letzter Kammer
- △10 SLOT FOR SIDE KEYING, ON CAVITY NO. 1
Schlitz fuer Seitenkodierung, bei Kammer Nr. 1
- △1 - △9 SEE SHEET 1
Siehe Blatt 1

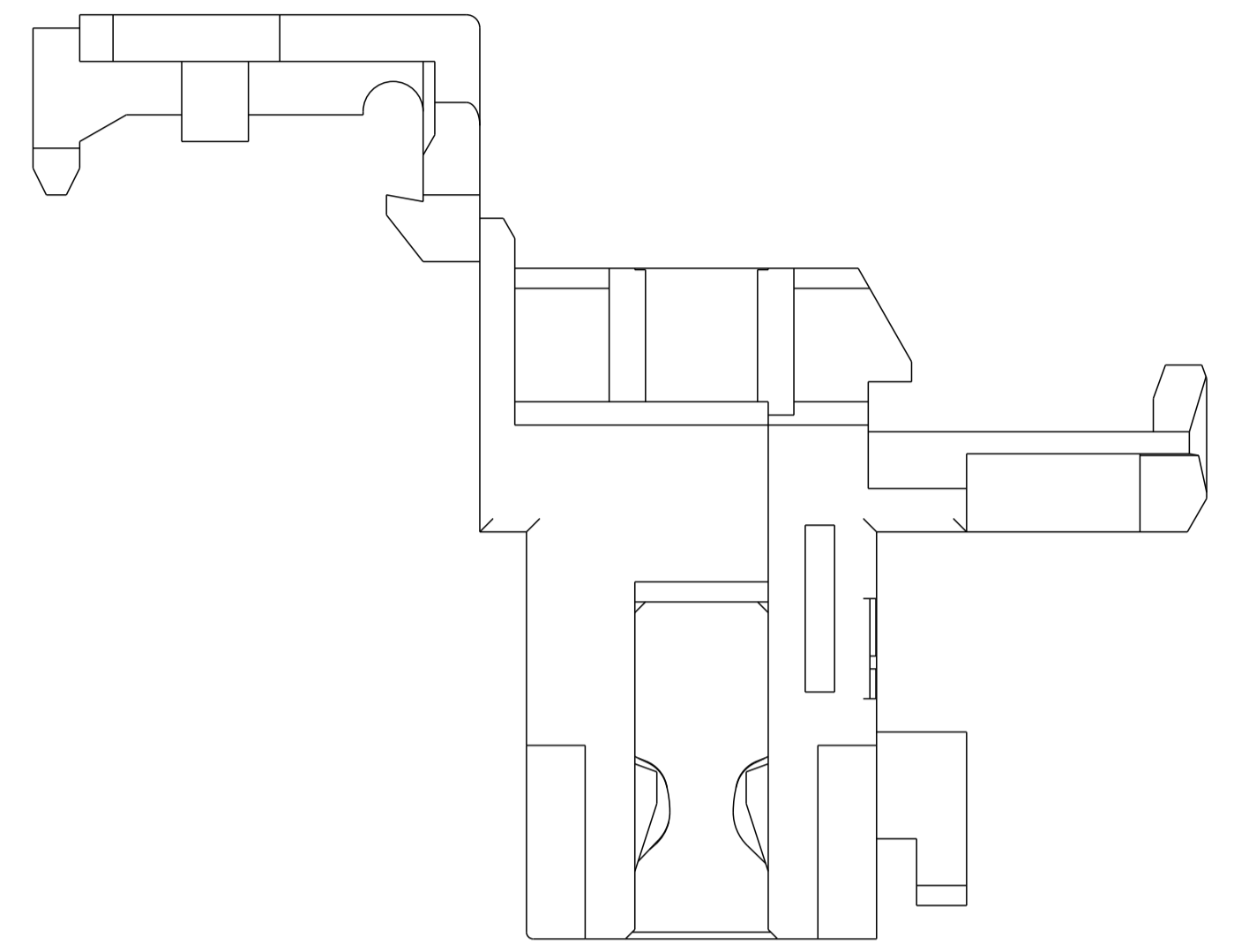
LOC	DIST	REVISIONS					
		P.	LTN	DESCRIPTION	DATE	DMN	APVD
		-		SEE SHEET 1	-	-	-

THIS DRAWING IS A CONTROLLED DOCUMENT.		DMN H. Alzmann 27.10.2005	TE Connectivity NAME AMP DUOPLUG 2.5 MKII FEMALE CONNECTOR 3-20 POSITION (WITH PCB LOCKING) SIZE CAGE CODE DRAWING NO. RESTRICTED TO A1 00779 C=1740501 -
DIMENSIONS:		CHK B. Schnaubelt 27.10.2005	
mm		APVD T. Klepper 27.10.2005	
0 PLC ±0.2 1 PLC ±0.2 2 PLC ±0.2 3 PLC ±0.2 4 PLC ± ANGLES ±° FINISH ±µm		PRODUCT SPEC 108-18785 APPLICATION SPEC 114-18467 WEIGHT - CUSTOMER DRAWING	
MATERIAL SEE TABLE			SCALE 7:1 SHEET 2 OF 3 REV B25

THIS DRAWING IS UNPUBLISHED. RELEASED FOR PUBLICATION 2005
 © COPYRIGHT 2005 ALL RIGHTS RESERVED.

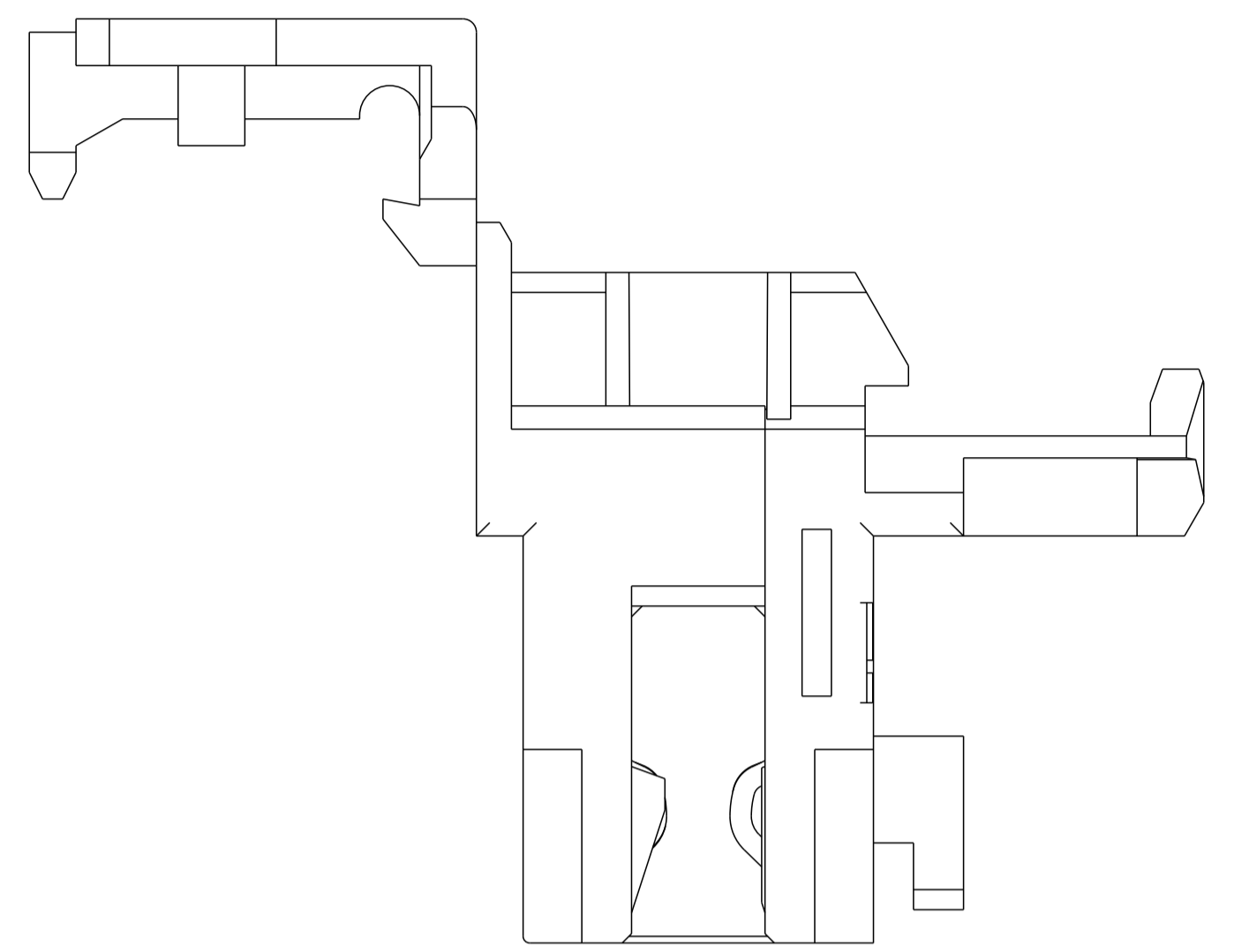
LOC		DIST		REVISIONS			
P	LTN	DESCRIPTION		DATE	DMN	APVD	
-		SEE SHEET 1		-	-	-	

18 SPECIAL PCB LOCKING VERSION



10:1

19 SPECIAL PCB LOCKING VERSION



10:1

THIS DRAWING IS A CONTROLLED DOCUMENT.		DMN H. Alzmann	27.10.2005		NAME AMP DUOPLUG 2.5 MKII FEMALE CONNECTOR 3-20 POSITION (WITH PCB LOCKING)
DIMENSIONS:		CHK B. Schnaubelt	27.10.2005		
mm		APVD T. Klenner	27.10.2005		
DIMENSIONS: mm 		TOLERANCES UNLESS OTHERWISE SPECIFIED: 0 PLC ±0.2 1 PLC ±0.2 2 PLC ±0.2 3 PLC ± 4 PLC ± ANGLES ±° FINISH		PRODUCT SPEC 108-18785 APPLICATION SPEC 116-18467 WEIGHT - CUSTOMER DRAWING	SIZE A1 CAGE CODE 00779 DRAWING NO. 1740501
MATERIAL SEE TABLE				RESTRICTED TO	SCALE 5:1 SHEET 3 OF 3