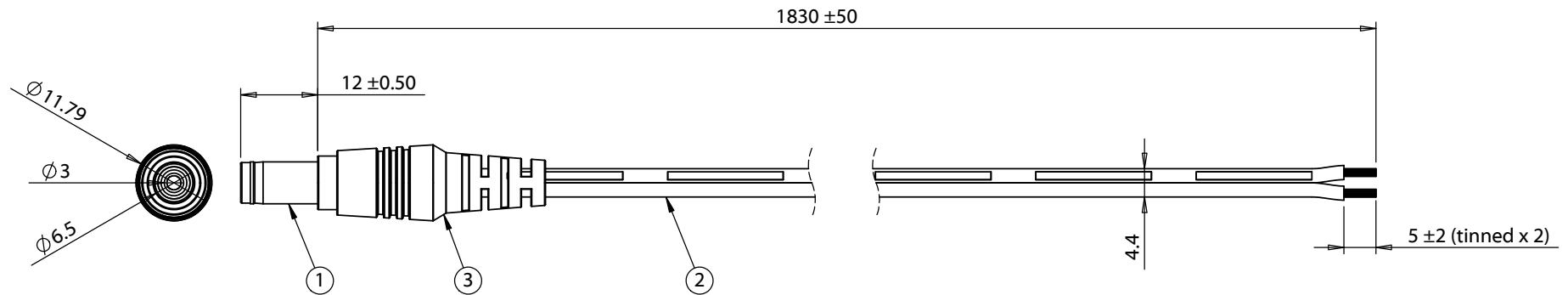


ITEM NO.	PART NUMBER	DESCRIPTION	QTY.	COMPONENT NOTES
1	50-00090	Connector, dc plug, 6.5x3.0x24 mm, molding style	1	
2	30-00007	Wire, 2C BC, 18 AWG, UL2468, 300V, 80C, 4.4 mm, VW-1, PVC, 87A	1	
3	24-00055	Overmold, PVC, black	1	



Notes:

Hi-Pot test: 600 Vac, 0.5 mA, 1 second

Wiring Diagram	
50-00090	wire color
center	black with stripe
sleeve	black

Revision:	Date:	Description:	Prepared:	Notes:	<h1>TENSILITY</h1> tel 1.541.323.3228 800 877.670.7118 fax 1.541.323.4202 web tensility.com
A	3/29/2010	Re-issue CUI spec as Tensility	GL 2016.03.17 08:55:59 -07'00"		
A1	8/31/2011	Updated description, connector, and wire information	Verified: LA	Function test: no open, no short circuit, no intermittent	Size: Part number: A 053-0489R (CA-2224)
			Dimensions are in millimeters. Tolerances: X: ± 0.5 mm X.X: ± 0.3 mm X.XX: ± 0.05 mm	Description: Cable, 1830 mm, 6.5x3.0x12 mm 50-00090 dc plug to stripped tinned, 18 AWG, 30-00007 wire	Scale: 1:1 Sheet 1 of 1