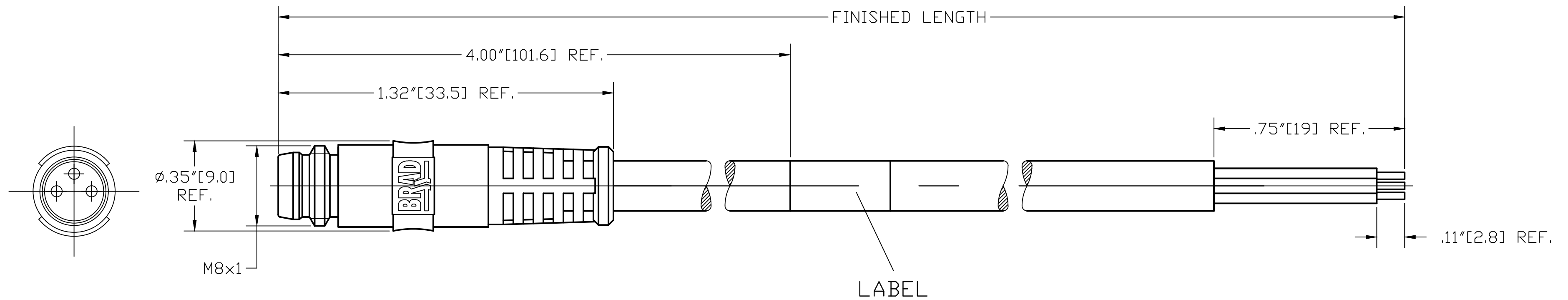


13	12	11	10	9	8	7	6	5	4	3	2	1
MATERIAL NUMBER		OLD PART NUMBER		FINISHED LENGTH								
120088-8130		503006P02M020		6.56' +3.50" -0 [2.0M +88.9mm -0]								



503006P02M020

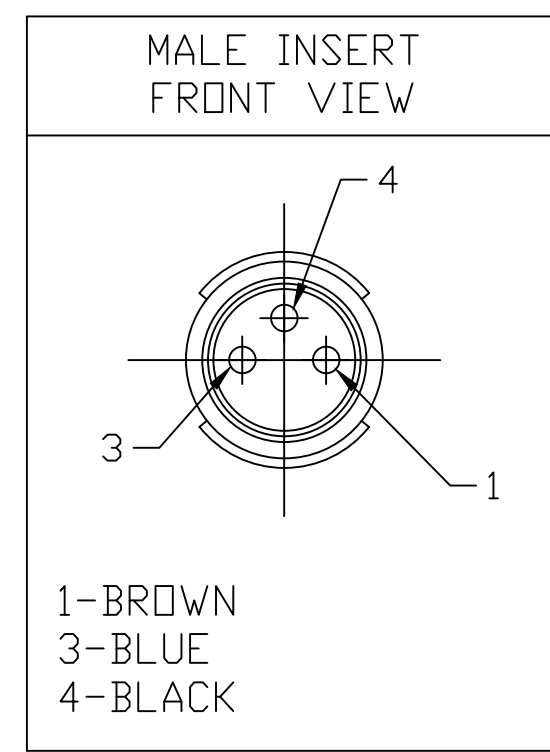
Wire type
3x .25mm²
Black PUR

cable length
M020----2 Meter
M100----10 Meter

CONTACT:	GOLD/NICKEL OVER COPPER ALLOY
INSERT:	PUR, BLACK
MOLDED BODY:	TPU, NATURAL
VOLTAGE RATING:	60 VAC/75 VDC
AMPERAGE RATING:	3 AMPS
PROTECTION:	IP67
OPERATING TEMPERATURE:	-20°C TO 80°C

1	BROWN
3	BLUE
4	BLACK

WIRING DIAGRAM



INITIAL RELEASE EC NO: IPG2014-0063 DRWN: EBRACKEN 2013/06/27 CH'KD: RSTONE APPR: BWOODMAN2013/08/16	QUALITY SYMBOL	GENERAL TOLERANCES (UNLESS SPECIFIED)		DIMENSION STYLE		SCALE	DESIGN UNITS	THIRD ANGLE PROJECTION	
	▽=0 ∇=0	mm	INCH	IN/MM		---	INCH		
		4 PLACES ±---	±---	DRAWN BY DATE		TITLE			
		3 PLACES ±---	±.005	EBRACKEN 2013/06/18		NANO-CHANGE ASSEMBLY 3 POLE MM ST PUR BLACK SNAP .25			
	2 PLACES ±0.13	±.010	CHECKED BY DATE		MOLEX INCORPORATED				
	1 PLACE ±0.25	±.020	APPROVED BY DATE		MATERIAL NO.		DOCUMENT NO.		SHEET NO.
	ANGULAR ±.5°		BWOODMAN 2013/08/16		SEE CHART		SD-120088-027		1 OF 1
	DRAFT WHERE APPLICABLE MUST REMAIN WITHIN DIMENSIONS		MATERIAL NO.		THIS DRAWING CONTAINS INFORMATION THAT IS PROPRIETARY TO MOLEX INCORPORATED AND SHOULD NOT BE USED WITHOUT WRITTEN PERMISSION				
A	REV	SIZE C							