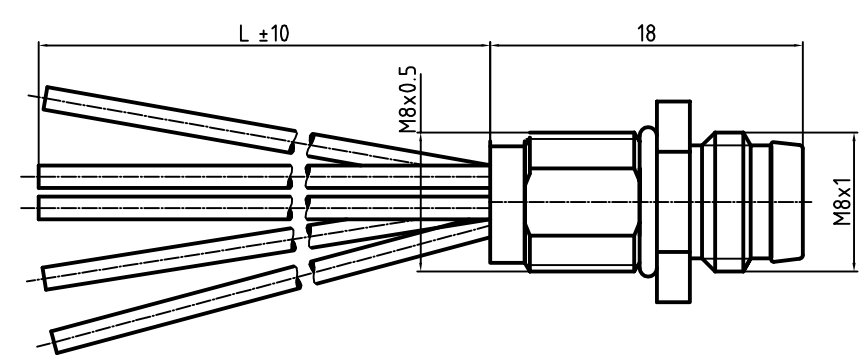
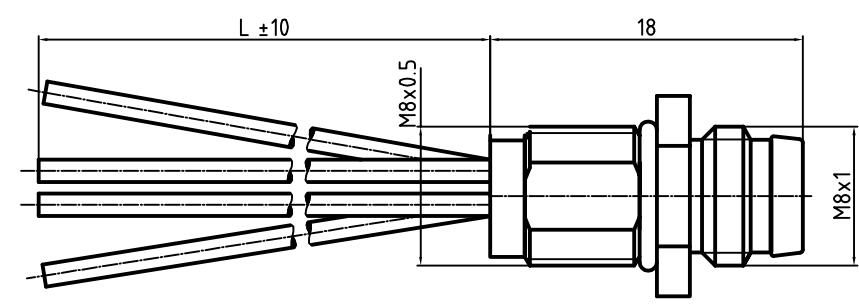
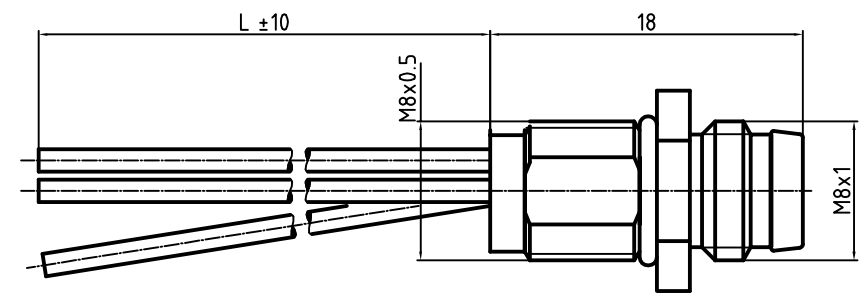
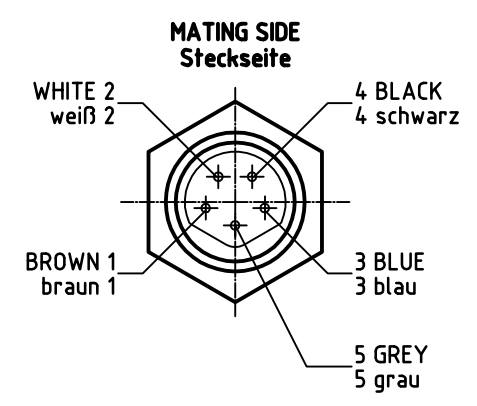
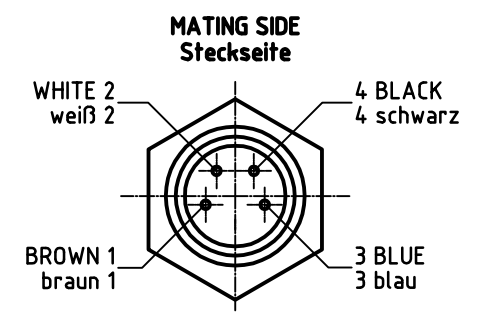
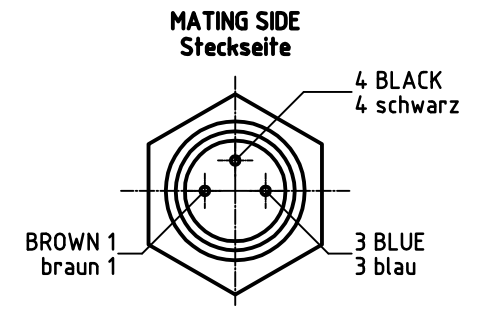
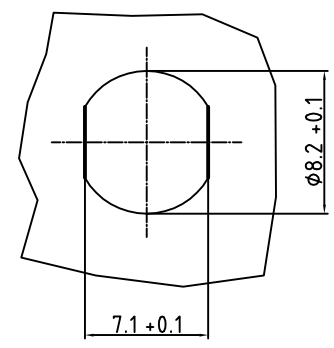


**MOUNTING HOLE**  
Montageausschnitt



**NOTES / Bemerkung:**

1	CRIMP CONTACT Crimp Kontakt	WN-00003
2	CABLE LENGTH TOLERANCE Kabellängentoleranz	WN-00004
3	POTTING Verguss	ES-120000-019
4	PACKAGING FOR RECEPTACLE Verpackung für Gerätestecker	PK-120000-018
5	PIN-ASSIGNMENT Pin-Belegung	IEC 61076-2-104
6	WINDING SPECIFICATION Wickelvorschrift	ES-120000-020

SAP-NUMBER SAP-Nummer	OLD MATERIAL-NO. alte Artikel-Nr.	LENGTH Länge	REPLACED Ersatz für
1200905069	4R3F06E02C200	0.2 M	0908 031GM 09000
1200905074	4R4F06E02C200	0.2 M	0908 041GM 09000
1200905075	4R4F06E02C500	0.5 M	0908 041GM 09003
1200905079	4R5F06E02C200	0.2 M	0908 051GM 09000

DESCRIPTION EC NO.: WEU2009-0457 DRWN: BBRAUCH CH'KD: --- APPR: JKOLB	6/24/09 2009/09/15	QUALITY SYMBOLS ▽ = 0 ▽/C = 0
---	-----------------------	--

GENERAL TOLERANCES (UNLESS SPECIFIED)	
	mm INCH
4 PLACES	±--- ±---
3 PLACES	±--- ±---
2 PLACES	±0.05 ±---
1 PLACE	±0.1 ±---
ANGULAR ± ---- °	
DRAFT WHERE APPLICABLE MUST REMAIN WITHIN DIMENSIONS	

DIMENSION STYLE	
MM	
DRAWN BY	DATE
BB	2009/06/24
CHECKED BY	DATE
JKO	2009/08/05
APPROVED BY	DATE
FP	2009/08/05
MATERIAL NO.	
see table	
SIZE	A3

SCALE	2:1	DESIGN UNITS	METRIC	FIRST ANGLE PROJECTION
<b>M8 MALE RECEPTACLES-XM M8 GERÄTESTECKER-PVC-XM</b>				
<b>MOLEX INCORPORATED</b>				
DOCUMENT NO.			SD-120090-003	SHEET NO.
				1 OF 1
THIS DRAWING CONTAINS INFORMATION THAT IS PROPRIETARY TO MOLEX INCORPORATED AND SHOULD NOT BE USED WITHOUT WRITTEN PERMISSION				