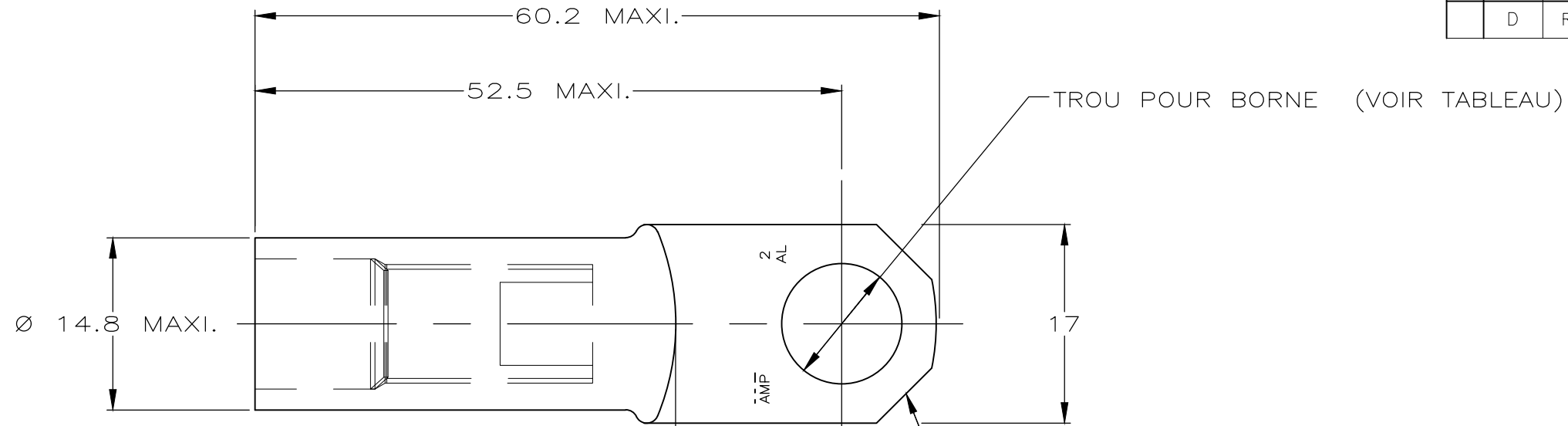
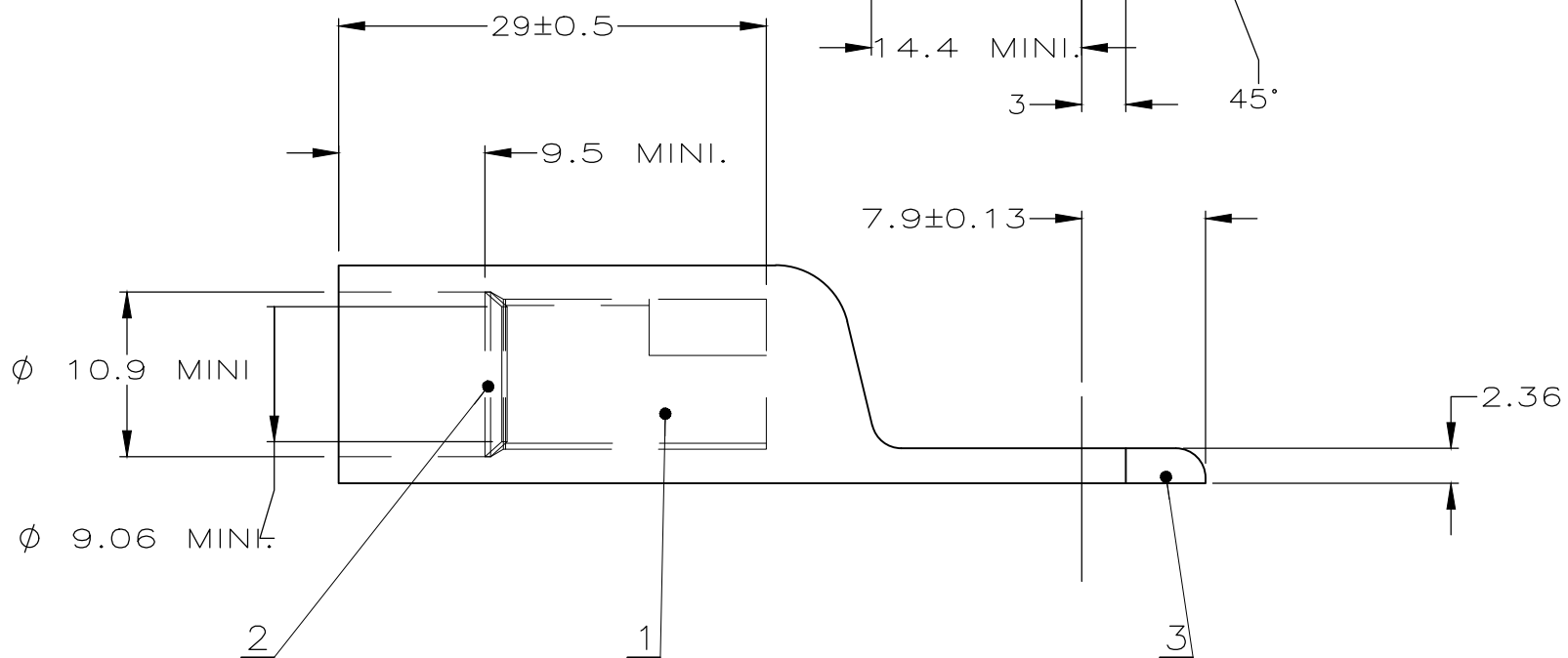


P	LTR	DESCRIPTION	DATE	DWN	APVD
	D	REV PER ECO 20-002238	7-22-20	CT	PD




1 52600 A 83700 CMA



MATIERE REVET.	DESIGNATION	REP.
CUIVRE ETAME	COSSE	3
LAITON NIQUELE	BAGUE D'ENTREE	2
LAITON NIQUELE	INSERT	1

-	-	-	-
-	-	-	-
135563-1	#10 OU M5	5.04±0.13	34 gr
REFERENCE	DIA. BORNE	DIA. TROU	POIDS

THIS DRAWING IS A CONTROLLED DOCUMENT.		DWN G.ROBERT JUNE 91	 TE Connectivity	
DIMENSIONS: mm		CHK G.ROBERT 16-JAN-97		
TOLERANCES UNLESS OTHERWISE SPECIFIED:		APVD G.ROBERT 16-JAN-97	NAME SEALED COPALUM	
0 PLC ± - 1 PLC ± - 2 PLC ± - 3 PLC ± - 4 PLC ± - ANGLES ± -		PRODUCT SPEC -	APPLICATION SPEC -	
MATERIAL VOIR TABLEAU		FINISH -	WEIGHT 0.000000	SIZE A3
1		CAGE CODE 00779		DRAWING NO C-135563
CUSTOMER DRAWING			RESTRICTED TO -	SCALE 2
			SHEET 1 OF 1	REV D