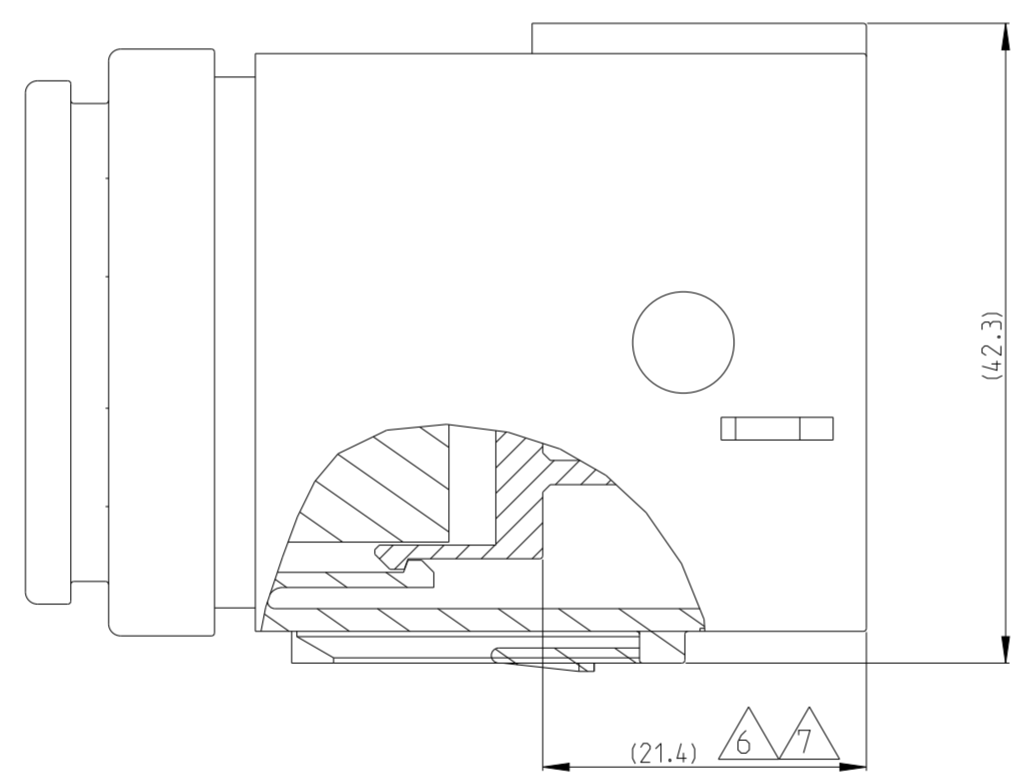
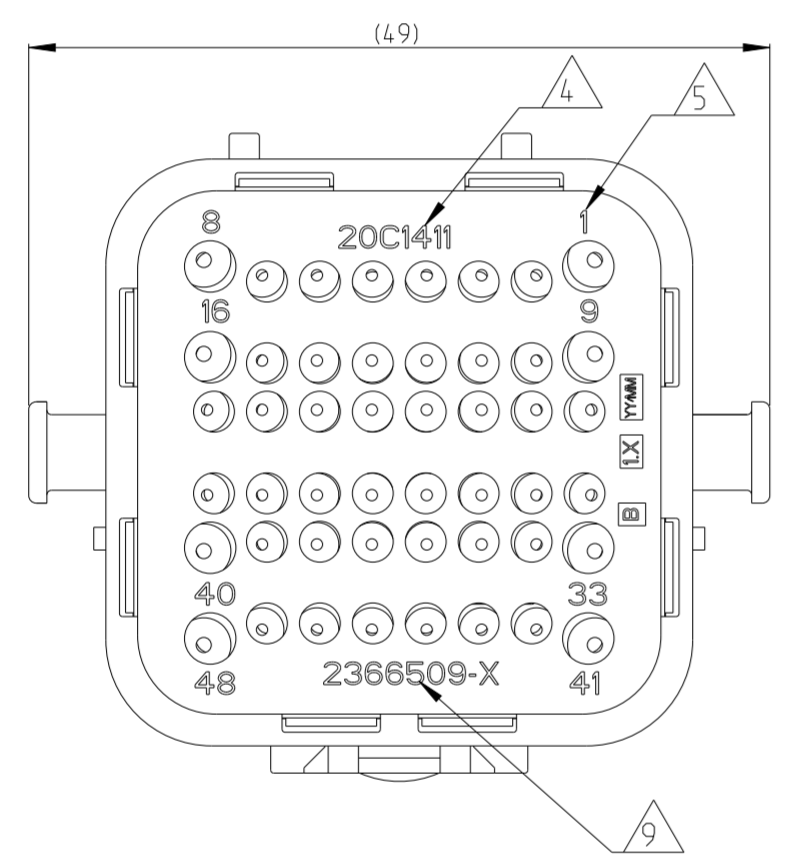
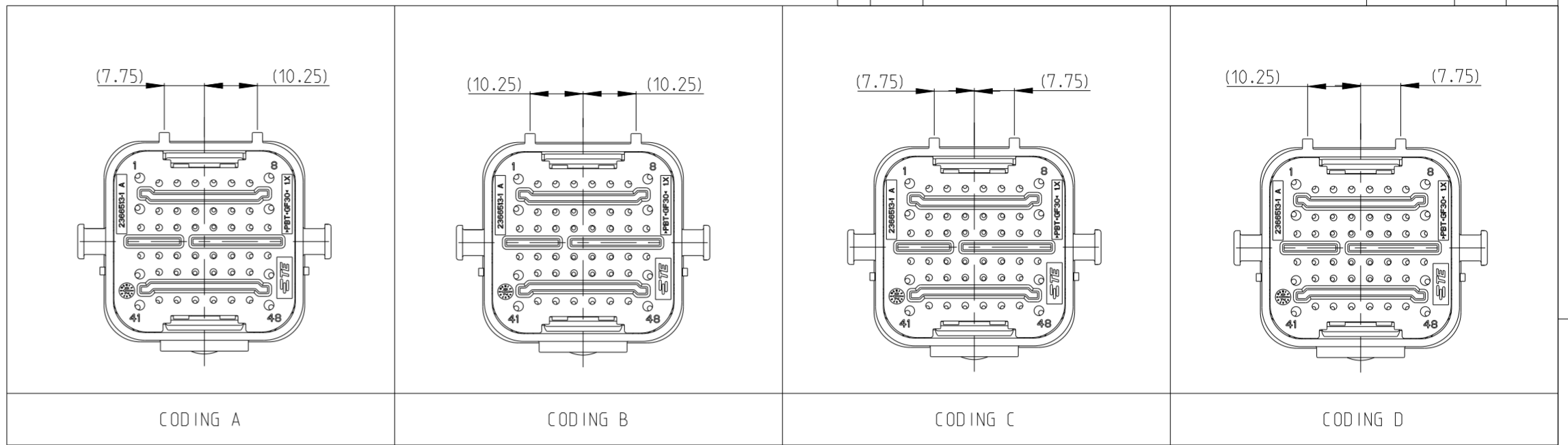
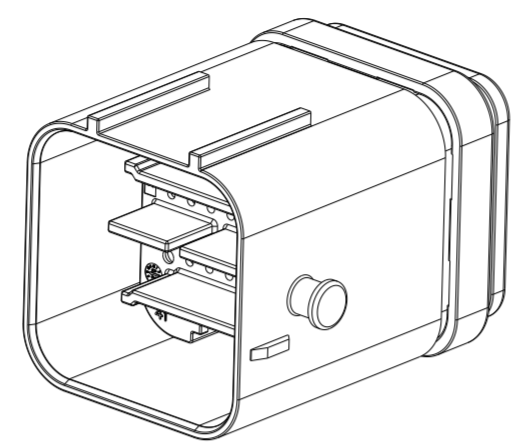
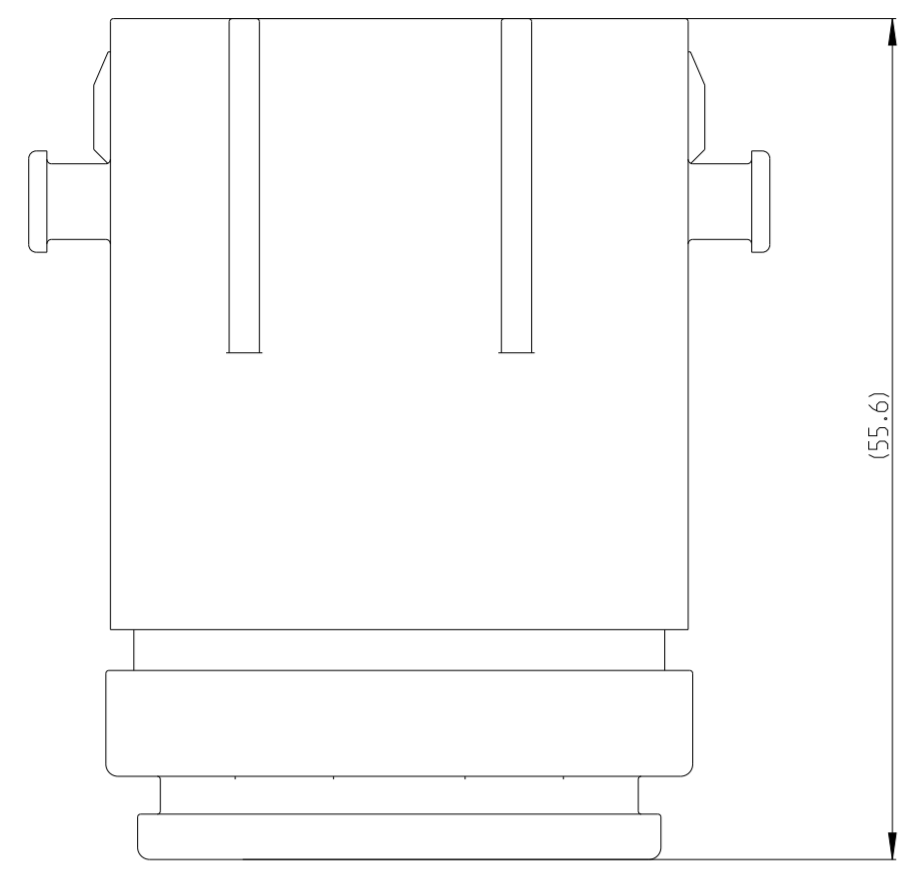


THIS DRAWING IS UNPUBLISHED. RELEASED FOR PUBLICATION 20  
 © COPYRIGHT 20 BY - ALL RIGHTS RESERVED.

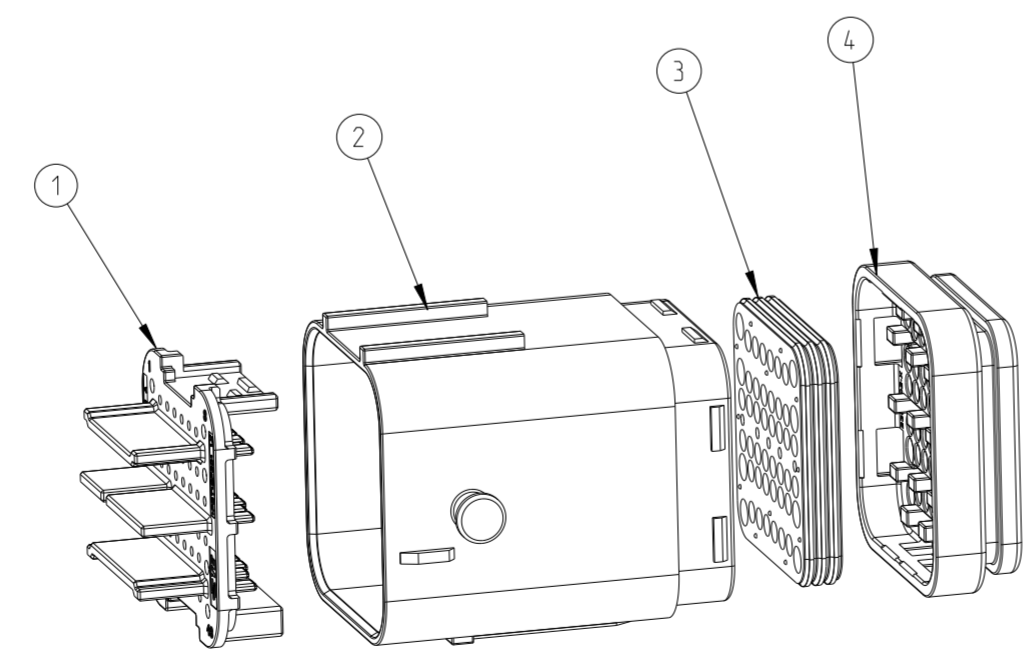
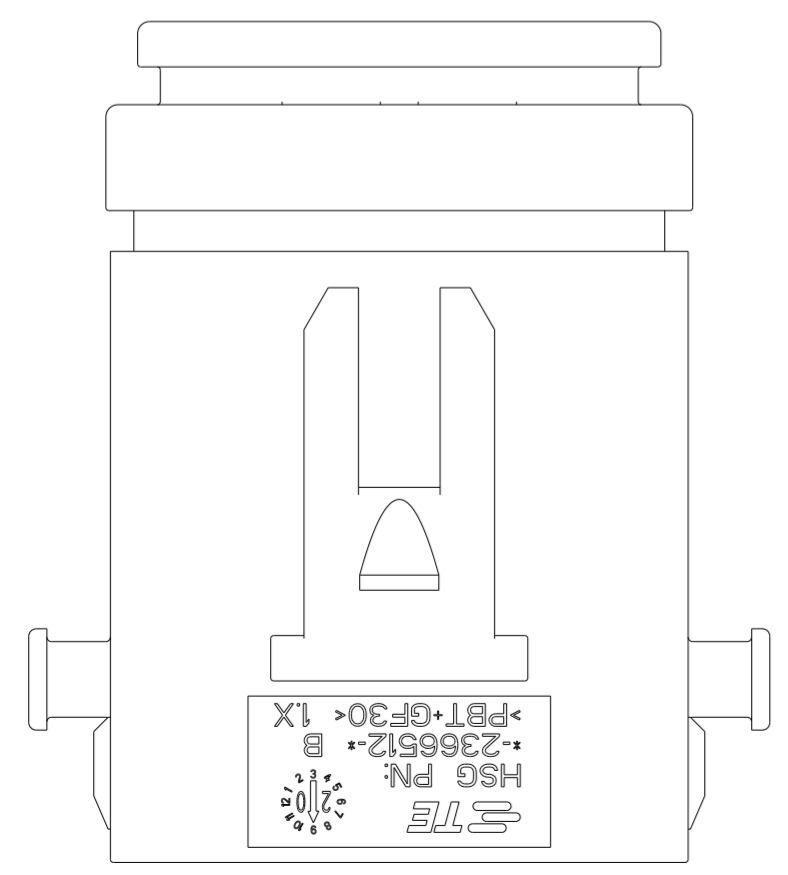
P	LTR	DESCRIPTION	DATE	DWN	APVD
A		RELEASED	05MAR2020	X.L	I.Y
A1		SEE ECR-21-000027	04JAN2021	L.G	I.Y
B		SEE ECR-21-002821	16MAR2021	L.G	I.Y
B1		ECN-21-127853	24NOV2021	L.G	Z.Z



- THIS TAB HOUSING MATES WITH PLUG ASSEMBLY PN 2366494-X. (X=1, 2, 3, 4 FOR VARIOUS CODE).
- FOR FLANGE VERSION, NEED MATE WITH FIX RING PN 2366517-X. RECOMMENDED WALL INTERFACE SEE CUSTOMER DRAWING 2366517.
- MATERIAL SEE TABLE
- DATE CODE: IDENTIFIES THE YEAR, MONTH, DAY AND HOUR OF ASSEMBLY.  
 YEAR: FIRST AND SECOND DIGITS(20=2020)  
 MONTH: THIRD DIGIT, EXCLUDING 1, A=JAN, B=FEB, C=MARCH...(K=OCTOBER)  
 DAY: FOURTH AND FIFTH DIGITS(14=14th DAY)  
 HOUR: SIXTH AND SEVENTH DIGITS(11=11AM)
- IDENTIFICATION FOR CABLE PINOUT.
- TPA SEATED ON PRE-LOCK POSITION FOR DELIVERY.
- PULL TPA TO PRE-LOCK BEFORE TERMINAL INSERTION IN CASE OF TPA BEING HIT TO END-LOCK POSITION.
- REFER TO 114-151001 FOR DT SIZE 16 TERMINAL APPLICATION SPECIFICATION. REFER TO 114-151003 FOR DT SIZE 20 TERMINAL APPLICATION SPECIFICATION. APPLICABLE TERMINAL PART NUMBERS AND WIRE SIZE:

TERMINAL PN	WIRE SIZE (MM2)	INSULATION WIRE (MM2)	PIOUT NUMBER
16#	1.0-2.5	∅1.9-∅3.0	1,8,9,16,33,40,41,48
20#	0.5-1.5	∅1.4-∅2.4	OTHER PINS

- LASER PRODUCT PN. SUCH AS "--1" MEANS 2366509-1, "2--1" MEANS 2-2366509-1.
- REFER TO DRAWING 2373921 FOR APPLICABLE PART NO. OF SEALING PLUG.



QTY.	REQUEST PER ASSY	COLOR	MATERIAL	DESCRIPTION	ITEM NO
1	-	-	BLUE	PBT-GF30 REAR CAP	4
-	1	-	GREEN	PBT-GF30 HOUSING CODING D HOUSING CODING C HOUSING CODING B HOUSING CODING A	2
-	-	1	GREY		
1	1	1	BLACK		
1	-	-	RUST RED		
-	1	-	BLUE	PBT-GF30 TPA	1
-	-	-	GREEN		
-	-	1	GREY	PBT-GF30	3
-	-	1	BLACK		
1	1	1	YELLOW	TPA	1

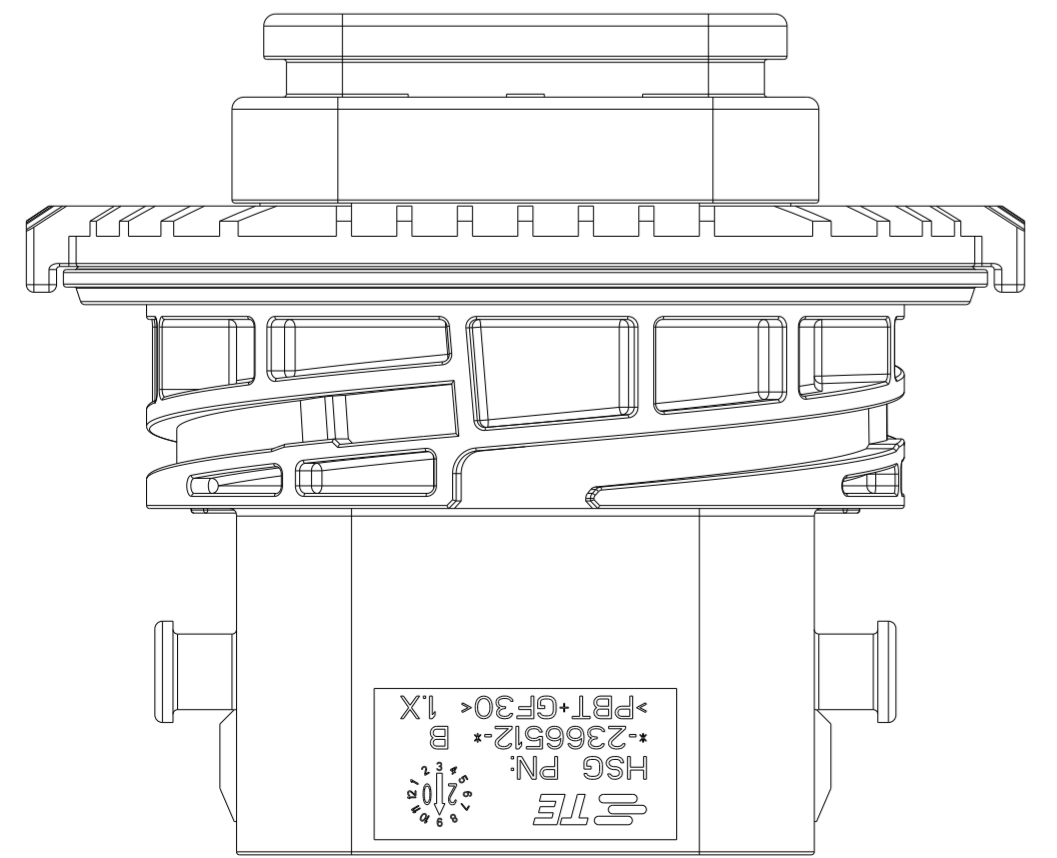
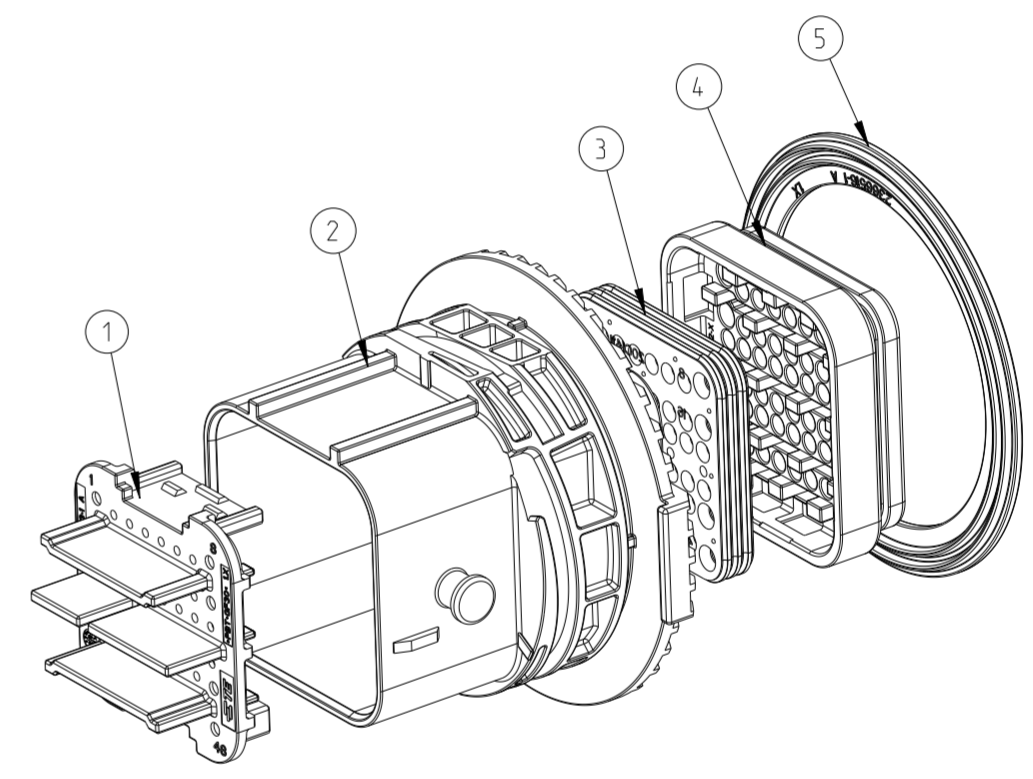
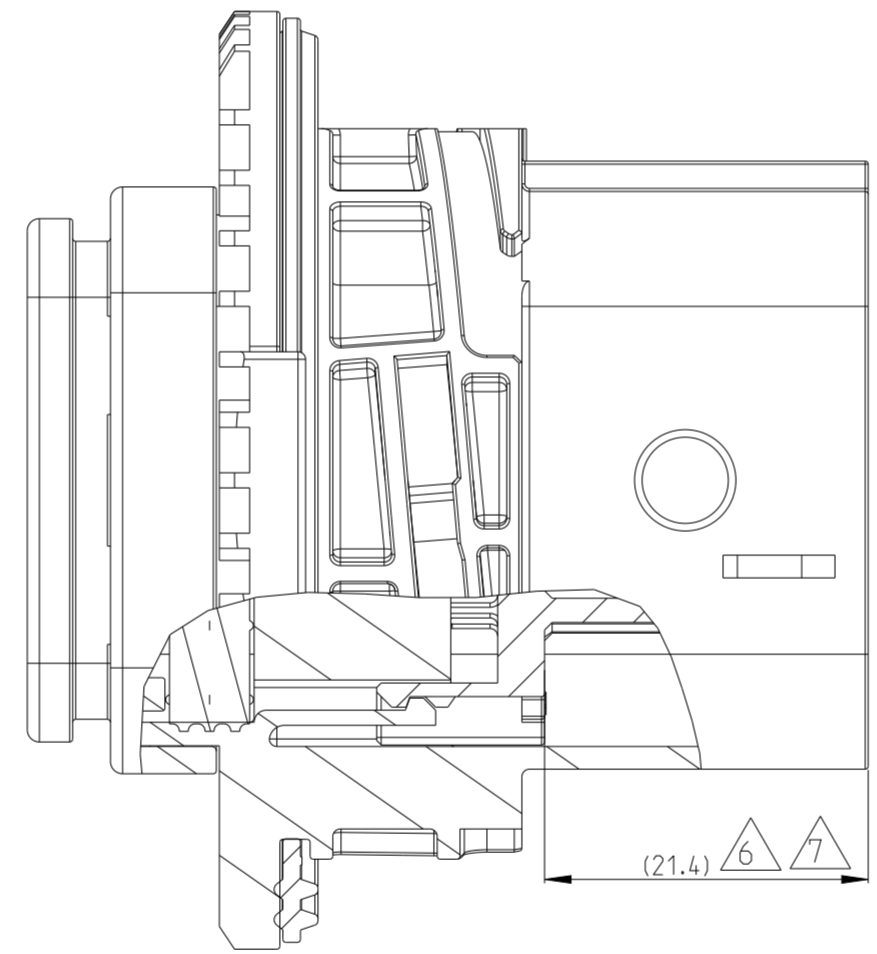
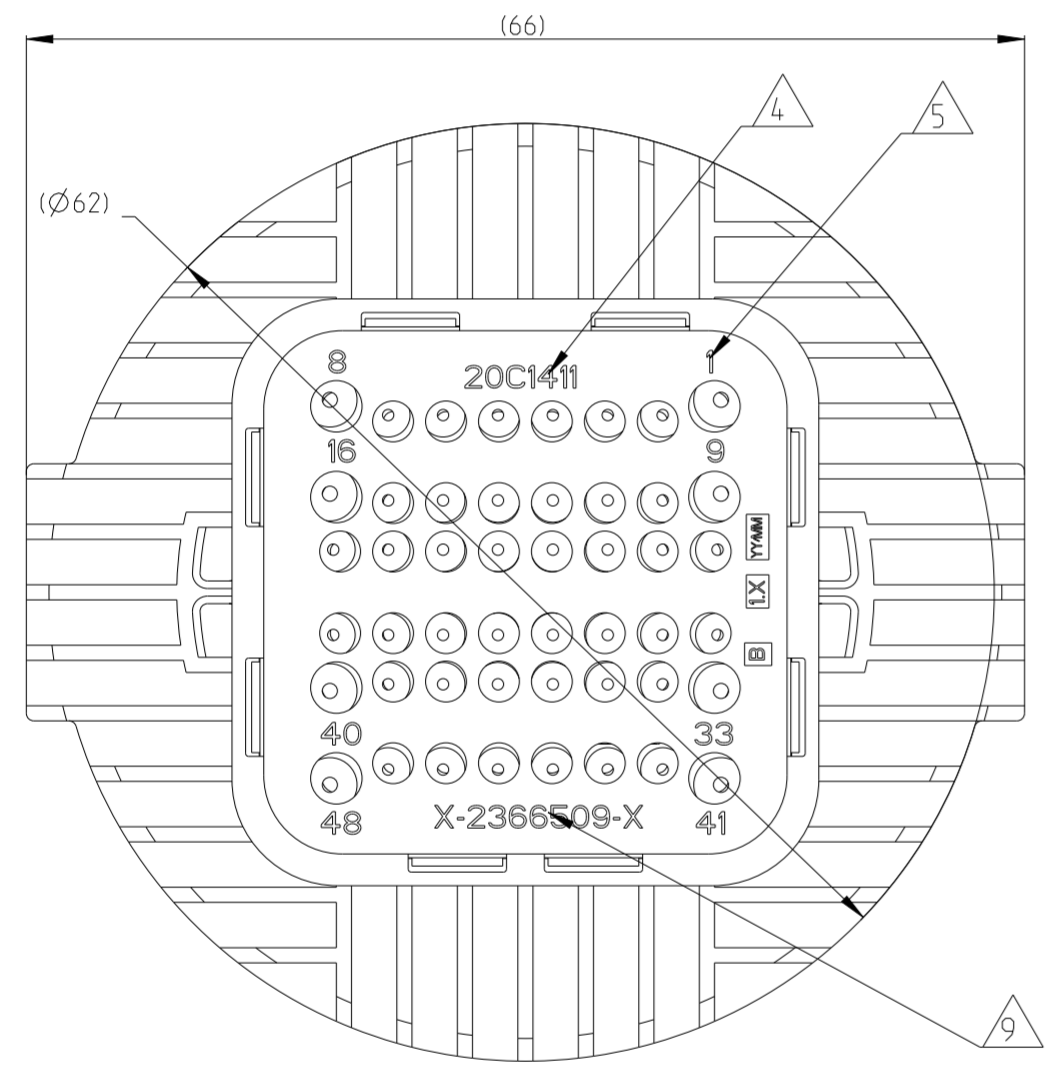
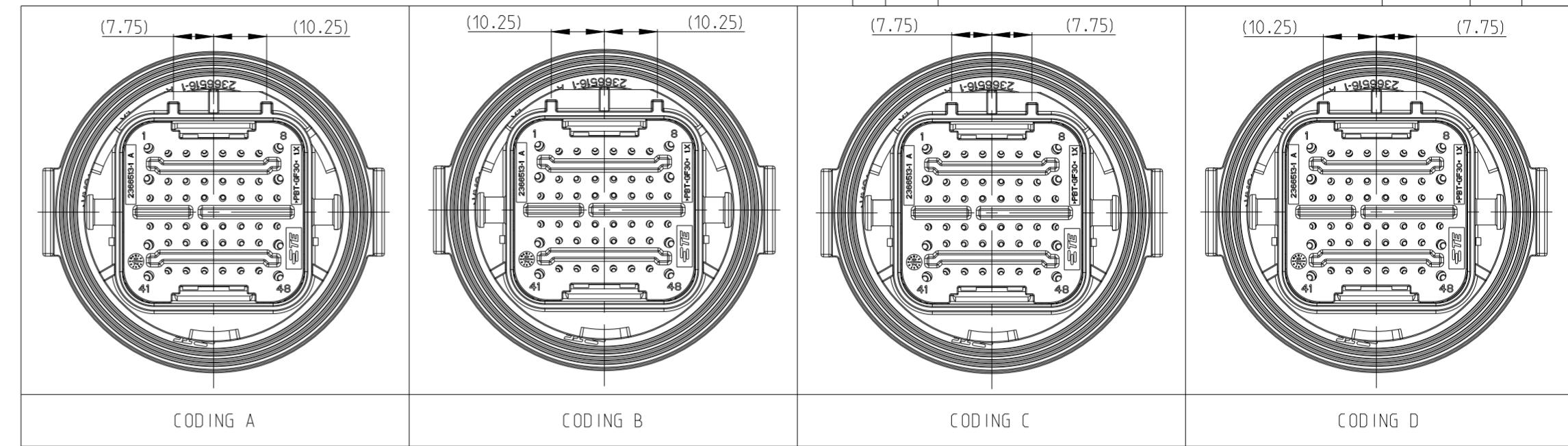
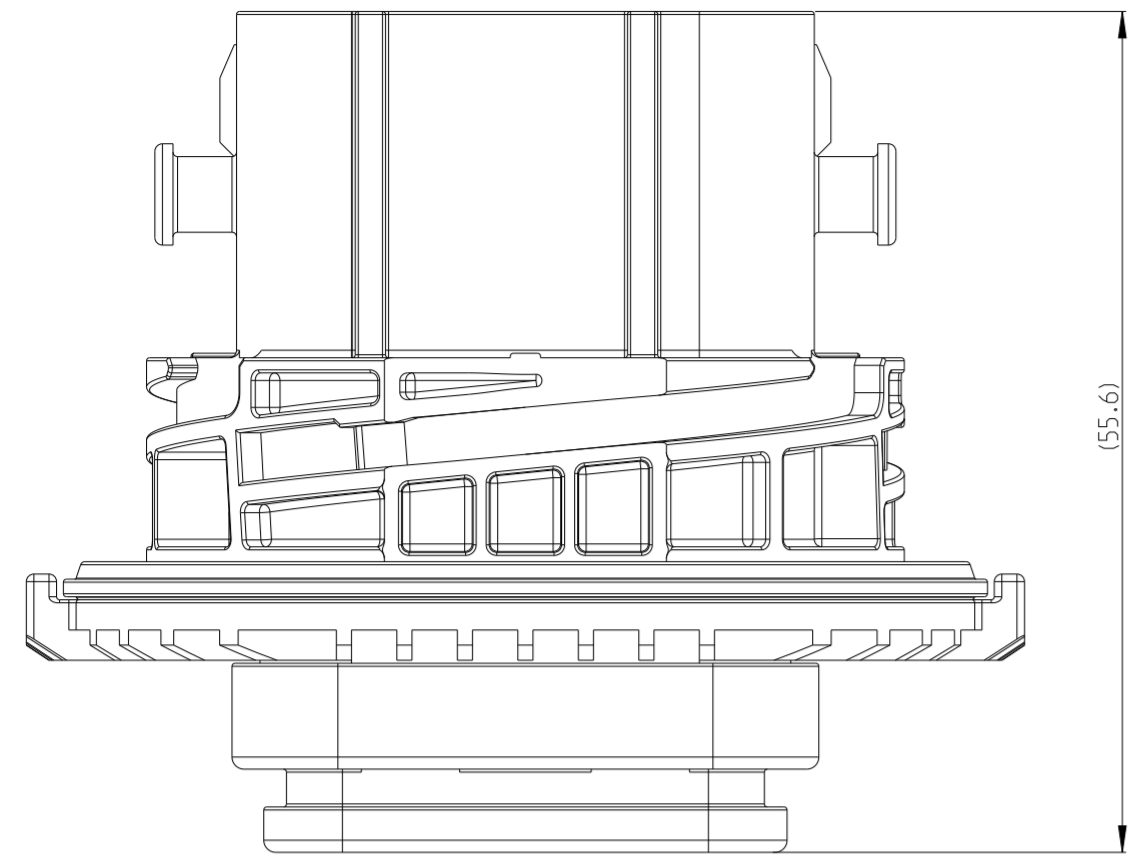
THIS DRAWING IS A CONTROLLED DOCUMENT.

DWN	X.LI	19FEB2020	NAME	NTS 48P TAB HSG ASSEMBLY		
CHK	W.WU	02MAR2020	SIZE	A2	CAGE CODE	-
APVD	J.YIN	05MAR2020	DRAWING NO	C-2366509		
PRODUCT SPEC	108-101662			RESTRICTED TO	-	
APPLICATION SPEC	-			SCALE	1:1	SHEET 1 OF 2
MATERIAL	SEE TABLE			CUSTOMER DRAWING	SCALE	1:1 SHEET 1 OF 2 REV B1

STC TE Connectivity

THIS DRAWING IS UNPUBLISHED. RELEASED FOR PUBLICATION 20  
 © COPYRIGHT 20 BY - ALL RIGHTS RESERVED.

REVISIONS				
P	LTR	DESCRIPTION	DATE	APVD
-	-	SEE SHEET 1	-	-



QTY.	REQUEST PER ASSY	COLOR	MATERIAL	DESCRIPTION	ITEM NO
1	1	RUST RED	VMQ	FACIAL SEAL	5
1	-	BLUE	PBT-GF30	REAR CAP	4
-	1	GREEN			
-	-	GREY			
-	-	BLACK			
1	1	RUST RED	VMQ	GROMMET	3
1	-	BLUE	PBT-GF30	HOUSING CODING D	2
-	1	GREEN		HOUSING CODING C	
-	-	GREY		HOUSING CODING B	
-	-	BLACK		HOUSING CODING A	
1	1	YELLOW	PBT-GF30	TPA	1
REVISION OF EACH ASSY PN					
TE ASSEMBLY PN					

THIS DRAWING IS A CONTROLLED DOCUMENT.

DWN: X\_LL 19FEB2020  
 CHK: W\_WU 02MAR2020  
 APVD: J\_YIN 05MAR2020

PRODUCT SPEC: 108-101662  
 APPLICATION SPEC: -

NAME: NTS 48P TAB HSG ASSEMBLY

SIZE: A2 CAGE CODE: - DRAWING NO: C-2366509 RESTRICTED TO: -

MATERIAL: SEE TABLE TOLERANCES UNLESS OTHERWISE SPECIFIED: DIMENSIONS: mm

0 PLC ±  
 1 PLC ±  
 2 PLC ±  
 3 PLC ±  
 4 PLC ±  
 ANGLES ±  
 FINISH -

WEIGHT: -  
 CUSTOMER DRAWING

SCALE: 1:1 SHEET: 2 OF 2 REV: B1

**STE** TE Connectivity