

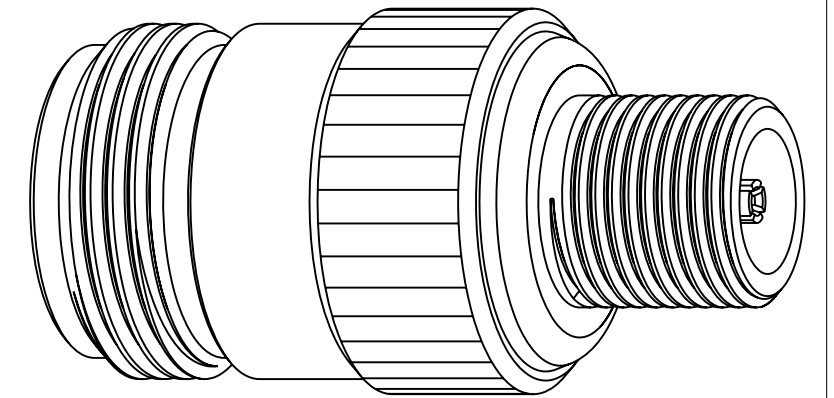
NOTES:

1. MATERIAL AND FINISHES:
 - BODY - BRASS, NICKEL PLATING
 - CONTACT - PHOSPHOR BRONZE, GOLD PLATING
 - INSULATOR - PTFE, NATURAL
2. ELECTRICAL:
 - A. IMPEDANCE: 75 OHM
 - B. FREQUENCY RANGE: 0-1 GHz
3. MECHANICAL:
 - A. TEMPERATURE RANGE: -65°C TO +165°C
4. PACKAGING:
 - A. QUANTITY: SINGLE PACK
 - B. MARKING: BAG TO BE MARKED "AMPHENOL, APH-NJ-FJ, AND DATE CODE"

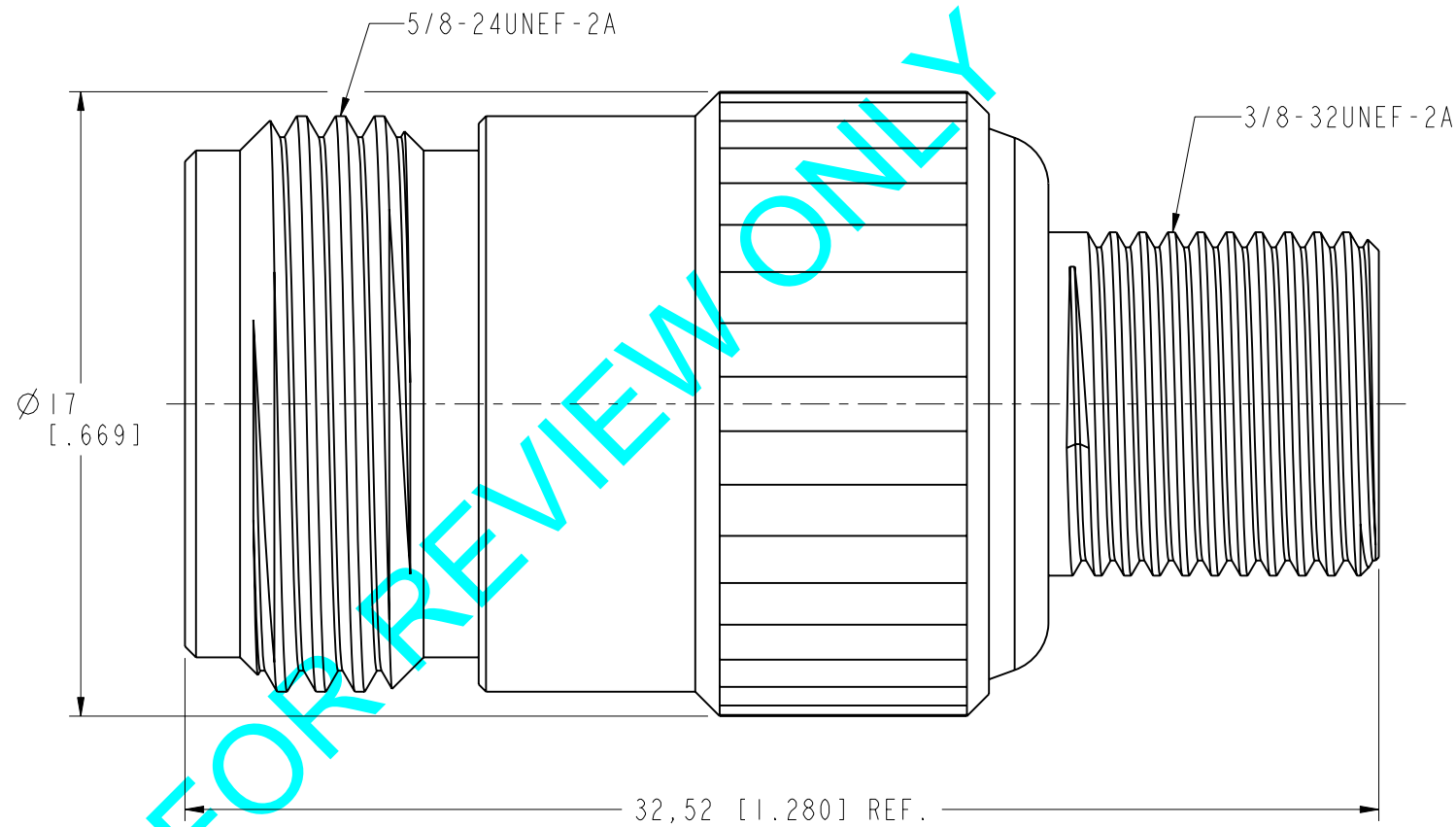
THIRD ANGLE PROJ.

REVISIONS

REV	DESCRIPTION	DATE	ECO	APPR
NC	INITIAL RELEASE	28-Jun-06	----	GRS
B	SYNCH THE DRAWING	12-Aug-14	2790	MZ



SCALE 3.000



CUSTOMER OUTLINE DRAWING

ALL OTHER SHEETS ARE FOR INTERNAL USE ONLY

UNLESS OTHERWISE SPECIFIED, DIMENSIONS ARE IN METRIC AND TOLERANCES ARE: <0.5mm ±0.05mm 0.5 - 6mm ±0.1mm 6 - 30mm ±0.2mm 30 - 120mm ±0.3mm ANGLES ±1°	MATERIAL	DRAWN M. ZHANG	DATE 12-Aug-14	TITLE N FEMALE TO F FEMALE ADAPTER - 75 OHMS	Amphenol Connex	
	REFERENCE NF-FF1-NT3G-75	ENGINEER TOM	DATE 12-Aug-14			DRAWING NO.
NOTICE - These drawings, specifications, or other data (1) are, and remain the property of Amphenol corp. (2) must be returned upon request; and (3) are confidential and not to be disclosed to any person other than those to whom they are given by Amphenol Corp. the furnishing of these drawings, specifications, or other data by Amphenol Corp., or to any other person to anyone for any purpose is not to be regarded by implication or otherwise in any manner licensing, granting rights to permitting such holder or any other person to manufacture, use or sell any product, process or design, patented or otherwise, that may in any way be related to or disclosed by said drawings, specifications, or other data.	CONFIGURATION LEVEL:	APPROVED S. HSIEH	DATE 12-Aug-14	SCALE: 5.0:1.0	SHEET 3 OF 3	
	FINISH	CAD FILE	DWG SIZE B	REV B	ITEM NO.	PART NO. 242120-75