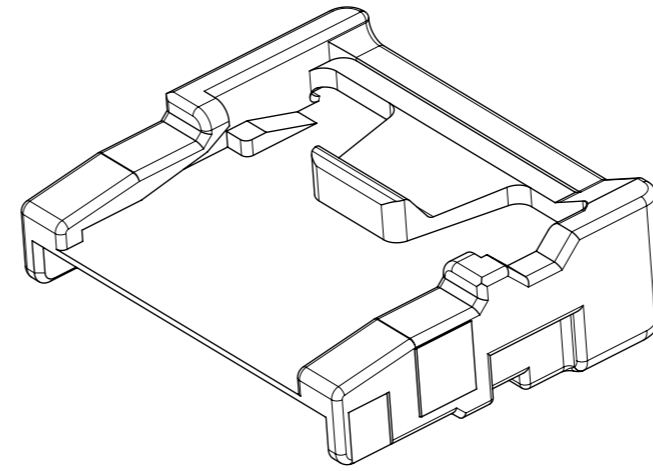
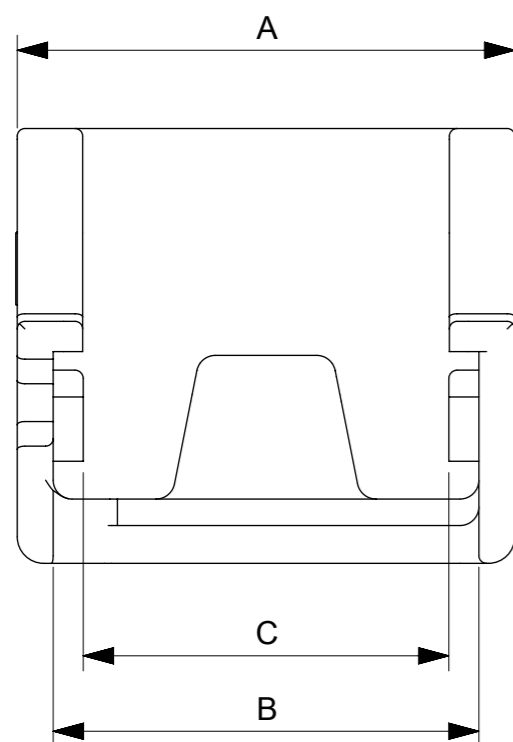
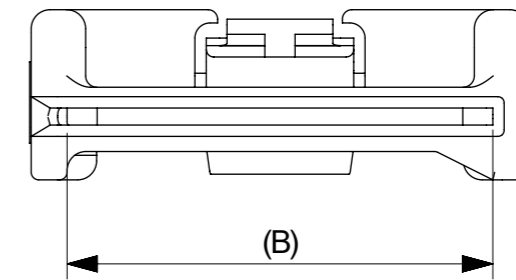
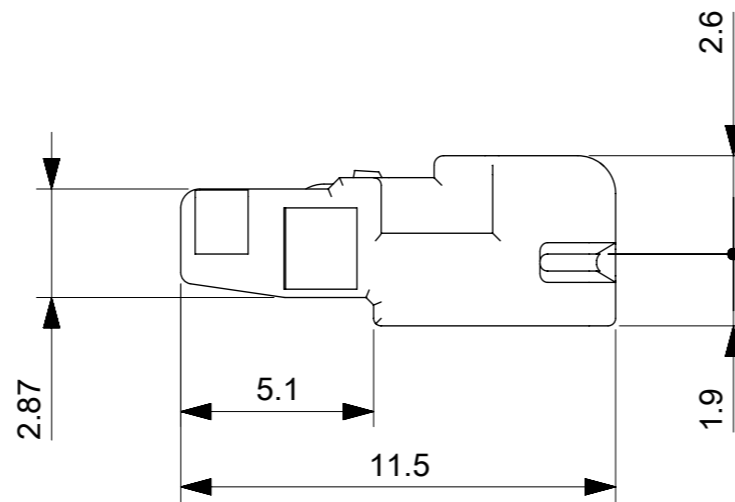
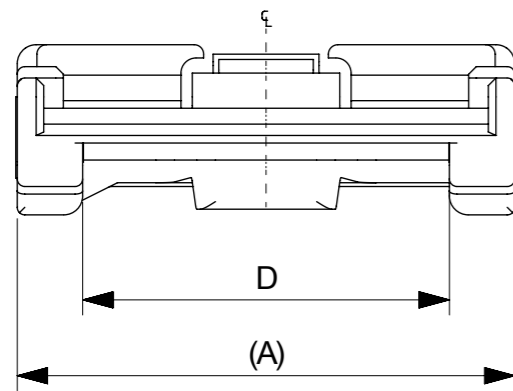


肉抜き(2カ所)
CORE OUT(2 PLACES)
2極用は肉抜き無し
2 CIRCUITS WITHOUT CORE OUT



注記 NOTES

- 1.材質 MATERIAL
PBT、ガラス充填、UL94V-0、色：黒色
PBT, GLASS FILLED, UL94V-0, COLOR : BLACK
- 2.ELV及びRoHS適合品
ELV AND RoHS COMPLIANT.
- 3.適合コネクタ : 505147**90
APPLICABLE CONNECTOR : 505147**90



9.7	9.67	11.26	13.16	5051480408	4
7.7	7.67	9.26	11.16	5051480308	3
5.7	5.67	7.26	9.16	5051480208	2
D	C	B	A	PLASTIC BAG	CIRCUITS
				ORDER NO. オーダー番号	

THIS DRAWING CONTAINS INFORMATION THAT IS PROPRIETARY TO MOLEX ELECTRONIC TECHNOLOGIES, LLC AND SHOULD NOT BE USED WITHOUT WRITTEN PERMISSION						
DIMENSION UNITS	SCALE	CURRENT REV DESC:				
mm	5:1	<p>molex</p> <p>2.0 FPC TO BOARD PLUG JACKET</p> <p>PRODUCT CUSTOMER DRAWING</p>				
GENERAL TOLERANCES (UNLESS SPECIFIED)						
ANGULAR TOL	± 3.0°					
4 PLACES	± 0.2					
3 PLACES	± 0.2					
2 PLACES	± 0.2	INITIAL REVISION:	DOCUMENT NUMBER	DOC TYPE	DOC PART	REVISION
1 PLACE	± 0.2	DRWN: AISHII 2015/10/21	5051480000	PSD	000	C
0 PLACES	± 0.2	APPR: YNOGAWA 2015/12/21				
DRAFT WHERE APPLICABLE MUST REMAIN WITHIN DIMENSIONS	THIRD ANGLE PROJECTION	DRAWING	SERIES	MATERIAL NUMBER	CUSTOMER	SHEET NUMBER
		A3-SIZE	505148	SEE CHART	GENERAL	1 OF 1