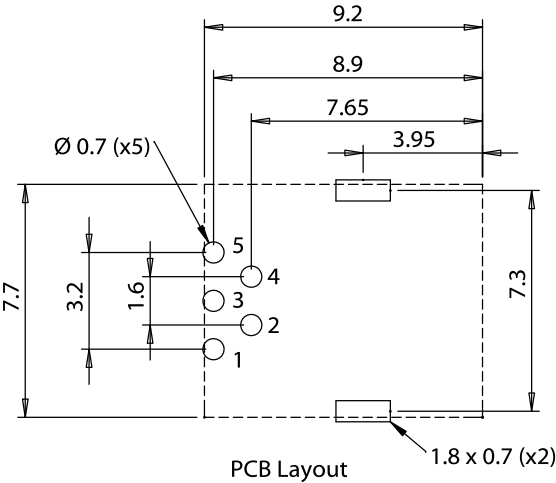
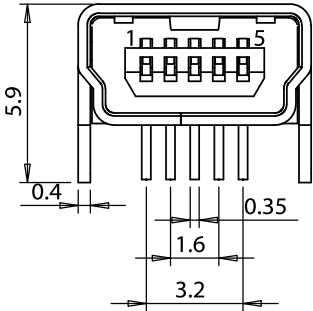
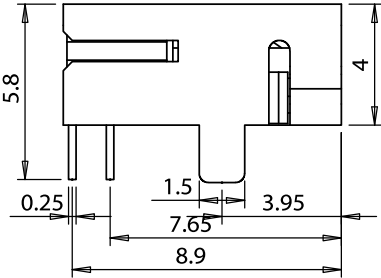
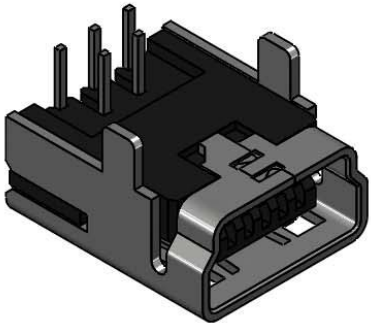
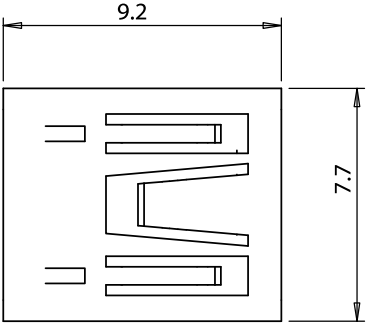


# USB mini B jack 90° PCB mount



Revision:	Date:	Description:
A	09/28/2015	Initial release
A1	07/30/2018	Corrected operating temp range

Prepared: **GL**  
Digitally signed by GL  
 Date: 2018.08.06  
 10:54:19 -07'00'

Verified: **RS**  
Digitally signed by RS  
 Date: 2018.08.09  
 10:46:02 -07'00'

Dimensions are in millimeters.  
 Tolerances:  
 X: ± 0.5 mm  
 X.X: ± 0.3 mm  
 X.XX: ± 0.05 mm

Notes:

RoHS compliant

Function test: no open, no short circuit, no intermittent

Description:  
 Connector, USB mini B Jack, PCB mount, 90°, nickel shell, DIP, black insulator, tube

# TENSILITY

tel 1.541.323.3228 800 877.670.7118  
 fax 1.541.323.4202 web tensility.com

Size: A Part number: 54-00019

Scale: 4:1 Sheet 1 of 2

**Materials**

1. Shell, phosphor bronze, nickel plated
2. Pins, phosphor bronze, 5 μ" gold and tin plating
3. Insulator, Nylon 46, black

**Electrical**

Rated voltage: 30 Vdc  
 Rated current: 2 A  
 Dielectric strength: 1 min @ 500 Vac  
 Insulation resistance: 100 MΩ @ 500 Vdc  
 Contact resistance: 50 mΩ or less

**Mechanical**

Insertion force: 3.5 kgf maximum  
 Withdrawal force: 0.7 kgf minimum  
 Durability: 5000 cycle minimum life; less than 100 mΩ contact resistance, minimum 50 MΩ insulation resistance  
 Terminal strength: 0.3 kgf in any direction without damage or looseness

**Soldering**

Solderability: 75% minimum coverage when terminals dipped 2 mm in 255 ±5 °C solder bath for 3 ±0.5 seconds  
 Solder bath durability: no deformation when immersed in 260 ±5 °C up to surface of the board for 10 seconds or less  
 Solder iron durability: no deformation when exposed to 350 ±10 °C for 3 ±0.5 seconds

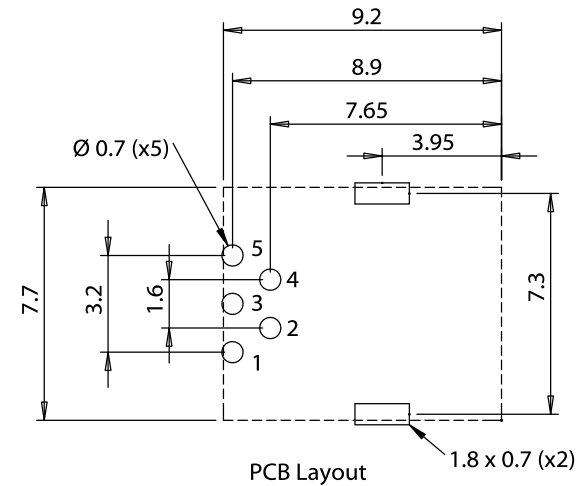
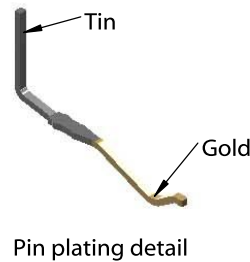
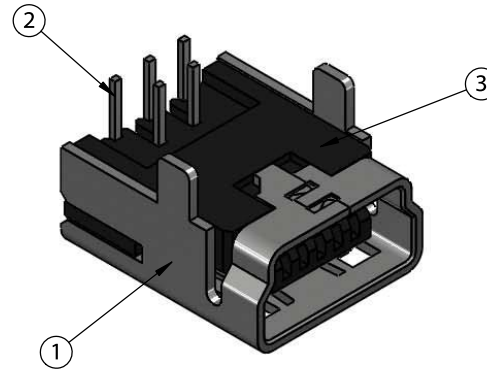
**Environmental**

Cold test: -40 ±3 °C for 48 hours without deformation  
 Heat test: 85 ±2 °C for 48 hours without deformation  
 Humidity test: 40 ±2 °C and humidity between 90 and 98 % for 48 hours without deformation

**Operating range**

-40 ~ 85 °C

# USB mini B jack 90° PCB mount



Revision:	Date:	Description:	Prepared:	Notes:	<h1>TENSILITY</h1> tel 1.541.323.3228 800 877.670.7118 fax 1.541.323.4202 web tensility.com
A	09/28/2015	Initial release	GL <small>Digitally signed by GL Date: 2018.08.06 10:54:40 -07'00'</small>		
A1	07/30/2018	Corrected operating temp range	Verified: RS <small>Digitally signed by RS Date: 2018.08.09 10:44:51 -07'00'</small>	Function test: no open, no short circuit, no intermittent	Size: Part number: A 54-00019
			Dimensions are in millimeters. Tolerances: X: ± 0.5 mm X.X: ± 0.3 mm X.XX: ± 0.05 mm	Description: Connector, USB mini B Jack, PCB mount, 90°, nickel shell, DIP, black insulator, tube	Scale: 4:1