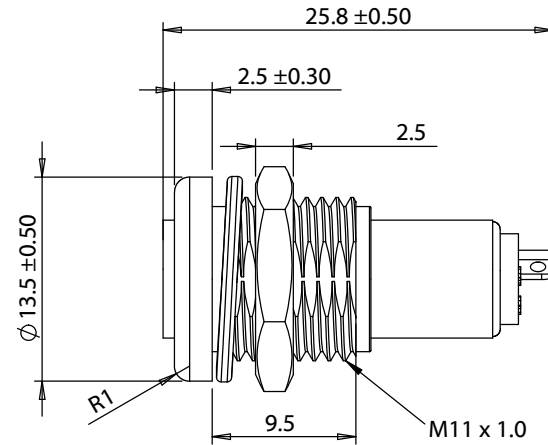
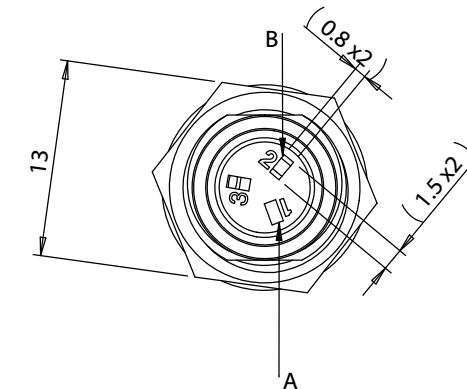
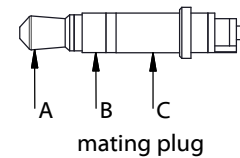
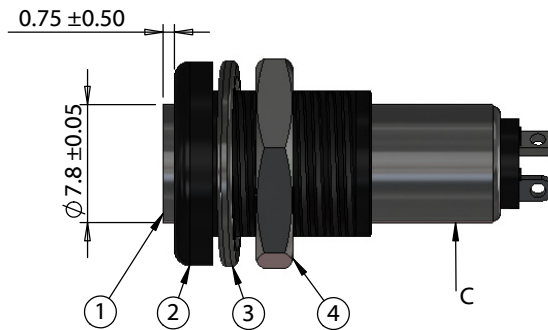
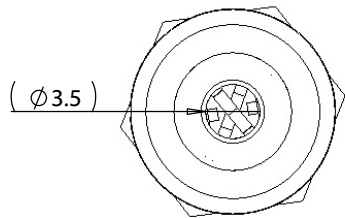
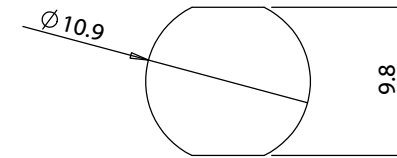


| ITEM NO. | PART NUMBER | DESCRIPTION | QTY. | COMPONENT NOTES |
|----------|-------------|---|------|--------------------|
| 1 | 50-00945 | Connector, stereo jack, 3.5x7.8xL25.8 mm, brass, nickel plated, molding style | 1 | |
| 2 | 24-00287 | Overmold, jack, 13.5x14 mm, panel mount | 1 | Nylon 94V-0, black |
| 3 | 56-00001 | Hardware, washer, lock, 14x11.1x1.1 mm, SPCC, nickel plated | 1 | |
| 4 | 56-00000 | Hardware, nut, hex, 13x2.5 mm, M11x1.0, brass, nickel plated | 1 | |



Installation Details

Panel thickness: 1.5 - 4.5
Recommended panel cutout:



| | | | | | |
|-----------|------------|-----------------|--|--|--|
| Revision: | Date: | Description: | Prepared: | Notes: | <h1>TENSILITY</h1> <p>tel 1.541.323.3228 800 877.670.7118 fax 1.541.323.4202 web tensility.com</p> |
| A | 11/12/2019 | Initial release | Verified: | RoHS compliant | |
| | | | Dimensions are in millimeters. Tolerances: X: ± 0.3 mm X.X: ± 0.1 mm X.XX: ± 0.05 mm | Function test: no open, no short circuit, no intermittent | |
| | | | | Description: Connector, stereo jack, 3.5x7.8x25.8 mm, panel mount, threaded, nut and washer | |
| | | | | Size: A | Part number: 54-00172 |
| | | | | Scale: 2:1 | Sheet 1 of 1 |

5

4

3

2

1