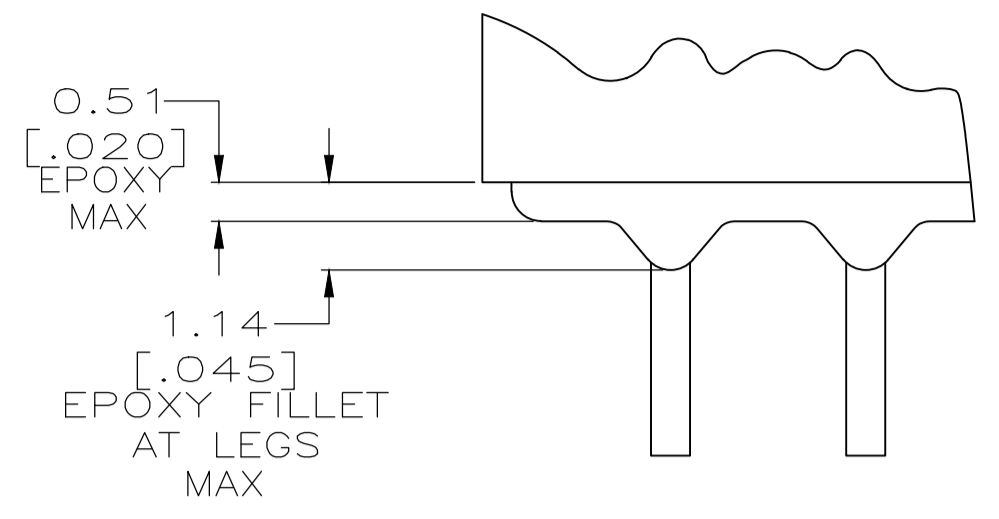
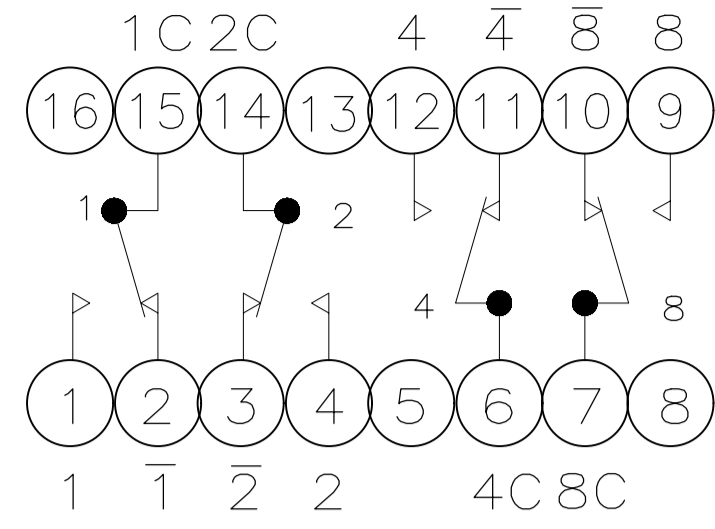


| REVISIONS |     |               |           |       |
|-----------|-----|---------------|-----------|-------|
| P         | LTR | DESCRIPTION   | DATE      | BY    |
| N         |     | ECO-20-004897 | 24AUG2020 | SB JB |

- FOR ADDITIONAL SPECIFICATIONS SEE AMP PRODUCT SPEC 108-7066 AND INSTRUCTION SHEET 6811.
- SWITCH BOTTOM IS SEALED.
- CONTACT FINISH TO BE 0.00076 [.000030] GOLD OVER NICKEL.
- MATERIAL:  
HOUSING : BLACK POLYESTER  
CONTACTS : BERYLLIUM COPPER.
- MARKS WILL BE ADDED BY LASER MARK PROCESS



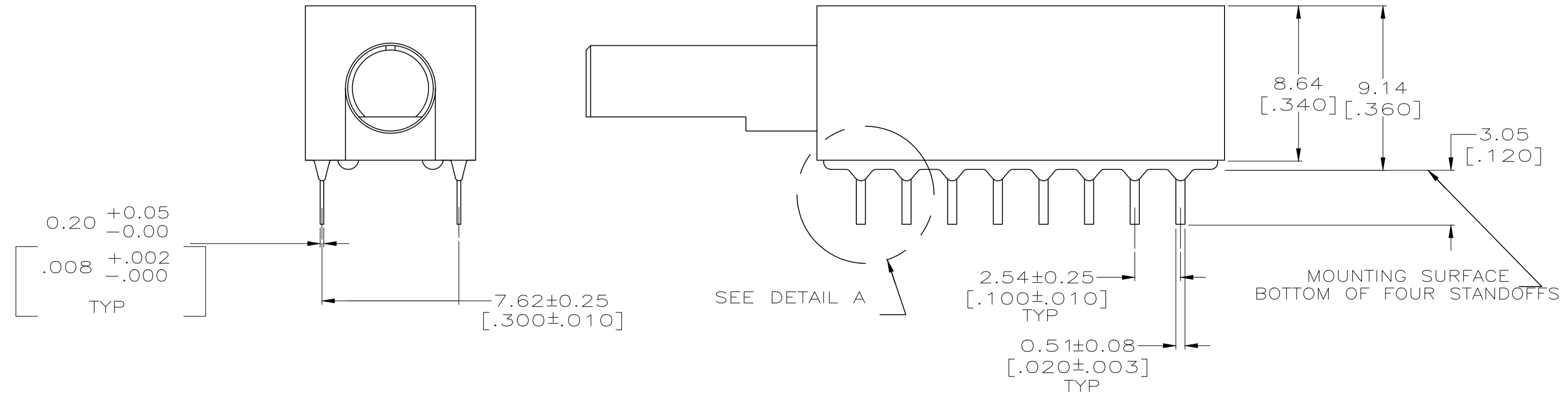
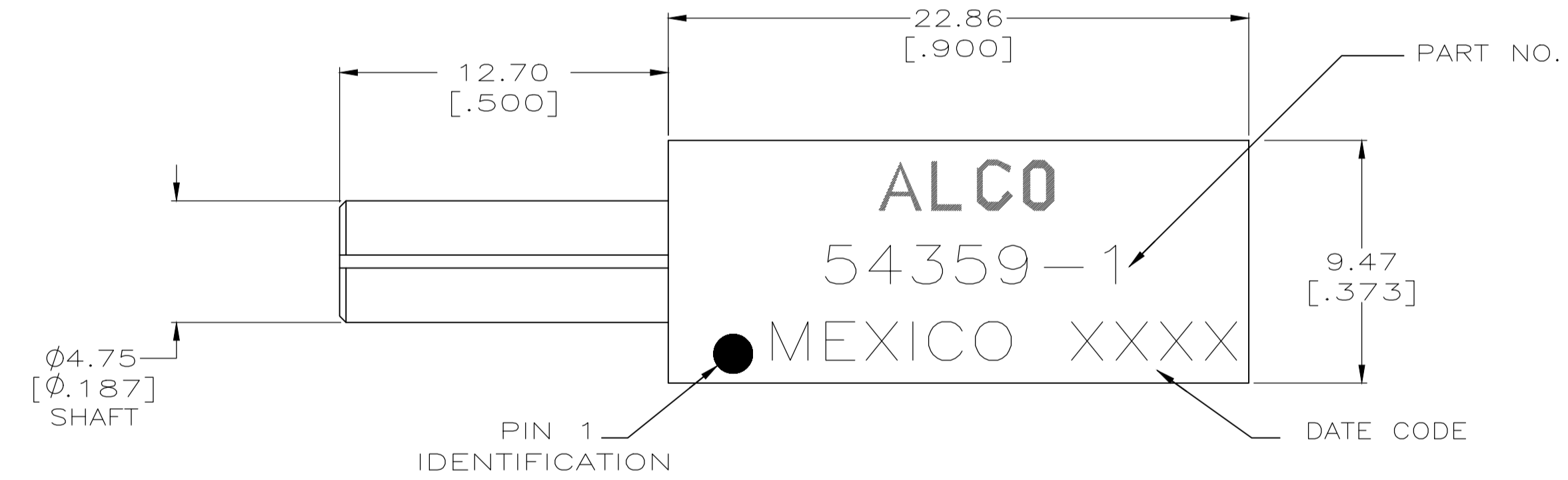
DETAIL A  
SCALE 10:1



SCHEMATIC  
(POSITION 0)

|           |   | POSITION |   |   |   |   |   |   |   |   |   |    |    |    |    |    |    |
|-----------|---|----------|---|---|---|---|---|---|---|---|---|----|----|----|----|----|----|
|           |   | 0        | 1 | 2 | 3 | 4 | 5 | 6 | 7 | 8 | 9 | 10 | 11 | 12 | 13 | 14 | 15 |
| COMMON TO | 1 |          | ● |   | ● |   | ● |   | ● |   | ● |    | ●  |    | ●  |    | ●  |
|           | 2 |          |   | ● | ● |   |   | ● | ● |   |   | ●  | ●  |    |    | ●  | ●  |
|           | 4 |          |   |   |   | ● | ● | ● | ● |   |   |    |    | ●  | ●  | ●  | ●  |
|           | 8 |          |   |   |   |   |   |   |   | ● | ● | ●  | ●  | ●  | ●  | ●  | ●  |
|           | 1 | ●        |   | ● |   | ● |   | ● |   | ● |   | ●  |    | ●  |    | ●  |    |
|           | 2 | ●        | ● |   |   | ● | ● |   |   | ● | ● |    |    | ●  | ●  |    |    |
|           | 4 | ●        | ● | ● | ● |   |   |   |   | ● | ● | ●  | ●  |    |    |    |    |
|           | 8 | ●        | ● | ● | ● | ● | ● | ● | ● |   |   |    |    |    |    |    |    |

HEXADECIMAL: WITH COMPLEMENT



54359-1  
PART NUMBER

THIS DRAWING IS A CONTROLLED DOCUMENT.

|                    |  |                     |                      |                     |                   |
|--------------------|--|---------------------|----------------------|---------------------|-------------------|
| DIMENSIONS: INCHES | TOLERANCES UNLESS OTHERWISE SPECIFIED: | DIN W. SORAH 1-8-97 | CHK R. TALLEY 1-8-97 | APVD J. ROBB 1-8-97 | NAME              |
| 0 PLC ± -          | 1 PLC ± -                              | 2 PLC ± 0.30 [.012] | 3 PLC ± -            | 4 PLC ± -           | ANGLE ± -         |
| MATERIAL           | FINISH                                 | WEIGHT              | SIZE A1              | CAGE CODE 00779     | DRAWING NO. 54359 |
| CUSTOMER DRAWING   |  | SCALE 5:1           | SHEET 1 OF 1         | REV N               | RESTRICTED TO     |

STE TE Connectivity  
SWITCH ASSY, PREPROGRAMMED DIP, 16 POSITION, EXTENDED SHAFT