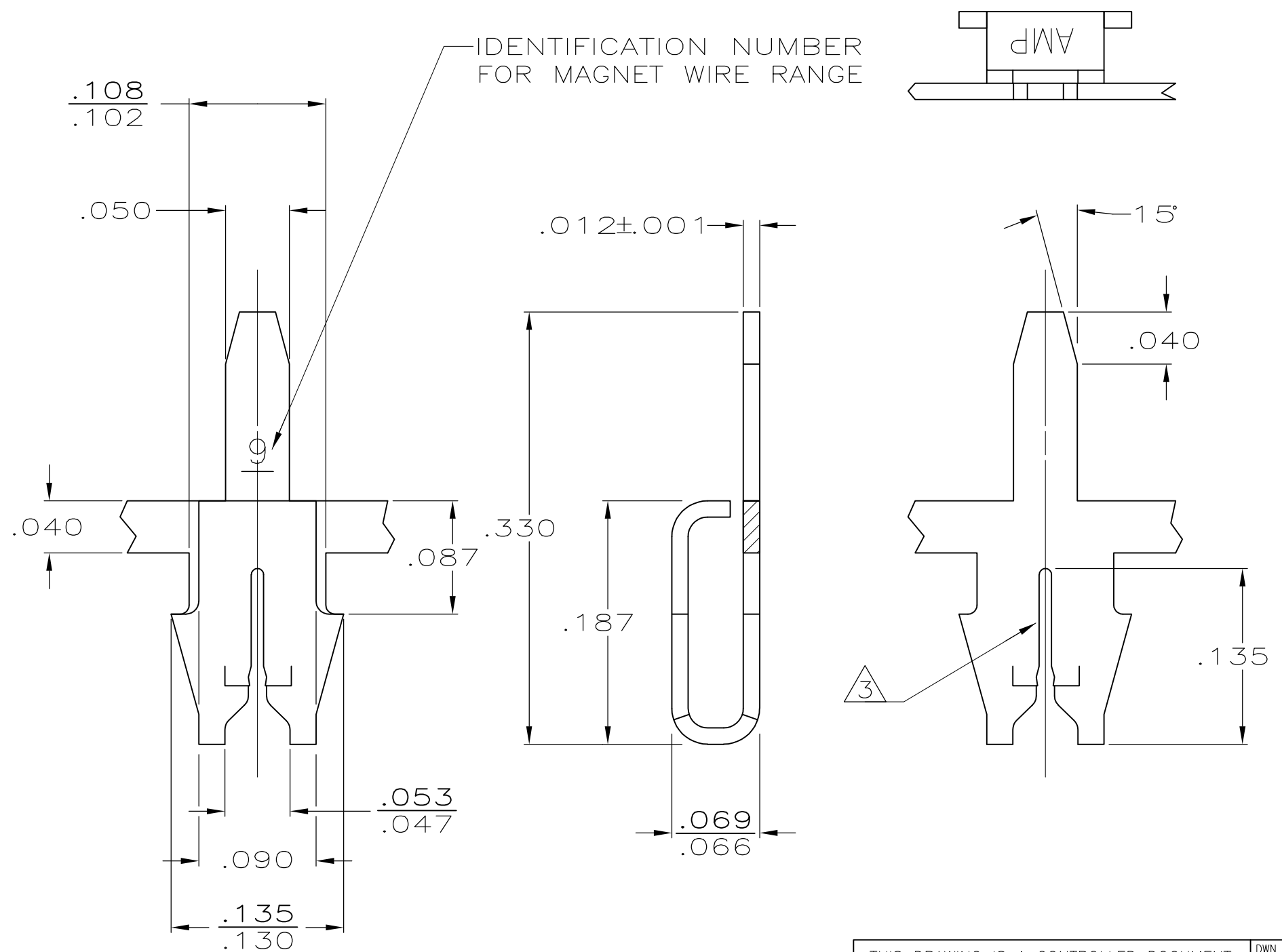


THIS DRAWING IS UNPUBLISHED. RELEASED FOR PUBLICATION  
 © COPYRIGHT - By - ALL RIGHTS RESERVED.

LOC	DIST	REVISIONS					
AF	50	P	LTR	DESCRIPTION	DATE	DWN	APVD
			H1	ECR-13-016672	25OCT13	PKS	RRP



- ① MAG-MATE CAVITY SPECIFICATION.
- ② CONTINUOUS STRIP ON REELS WITH TERMINALS LOCATED ON .200 CENTERS.
- ③ SLOT ACCEPTS #27-#25 AWG COPPER MAGNET WIRE.
- ④ REELED FOR APPLICATION THROUGH MAG-MATE INSERTION MACHINE.
- ⑤ REELED FOR INSERTION INTO PRINTED CIRCUIT BOARD.
- ⑥ TIN PER MIL-T-10727 OVER NICKEL PER QQ-N-290

⑤	62438-2
④	62438-1
REMARKS	PART NO.

THIS DRAWING IS A CONTROLLED DOCUMENT.		DWN	M.S. FEHER	11/21/88	<b>STE</b> TE Connectivity		
DIMENSIONS: INCHES		CHK	JR RUTH	11/27/88			
TOLERANCES UNLESS OTHERWISE SPECIFIED:		APVD	-	-	NAME		
0 PLC ± -		PRODUCT SPEC		-	TERMINAL, POSTED, MAG-MATE™		
1 PLC ± -		APPLICATION SPEC		-	-		
2 PLC ± -		114-2069 ①		SIZE	CAGE CODE	DRAWING NO	RESTRICTED TO
3 PLC ± .010		WEIGHT		-	A3	00779	C-62438
4 PLC ± -		MATERIAL		BRASS	SCALE		10:1
ANGLES ± -		FINISH		⑥	SHEET		1 OF 1
CUSTOMER DRAWING		SCALE		10:1	REV		H1