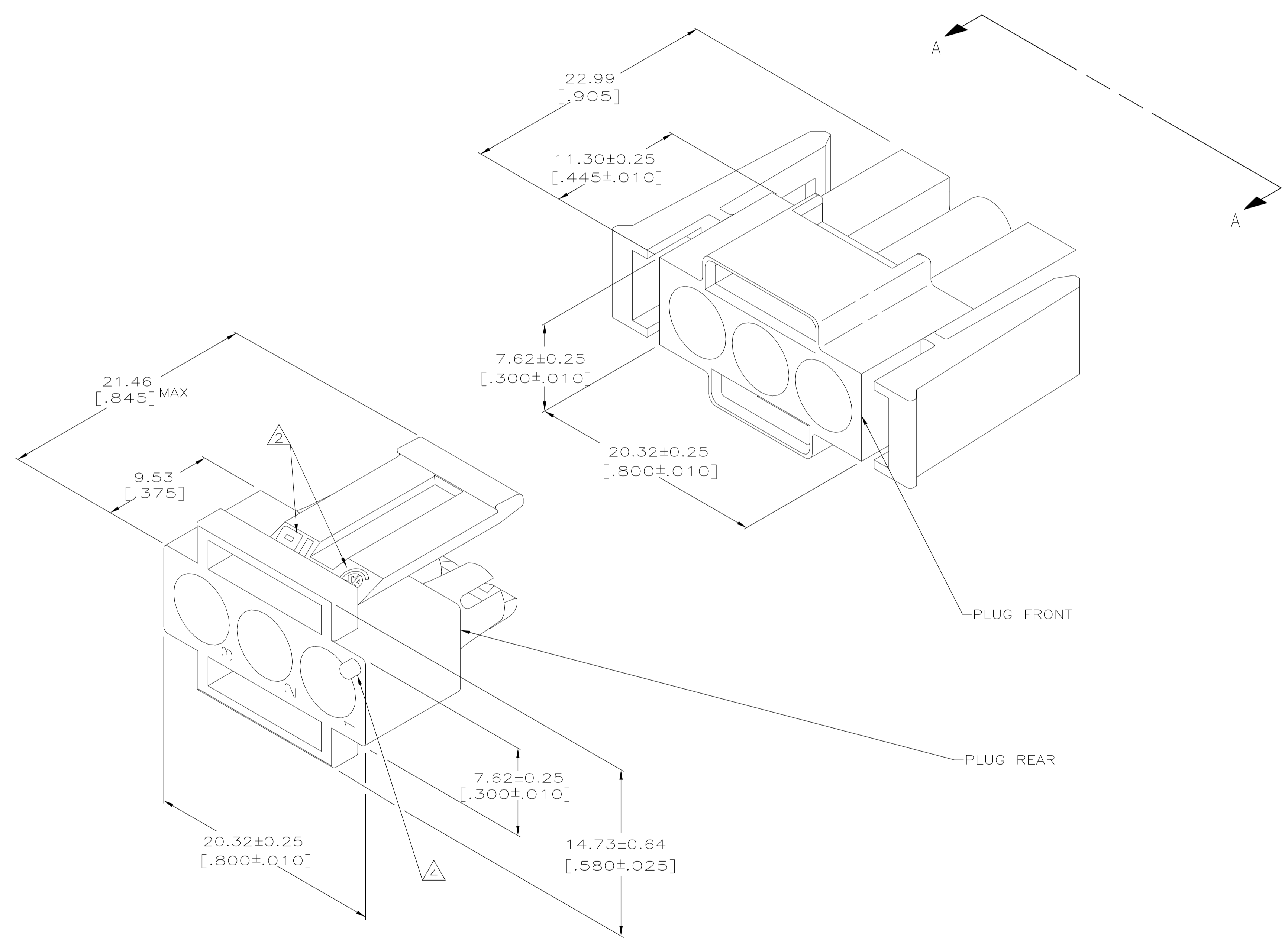
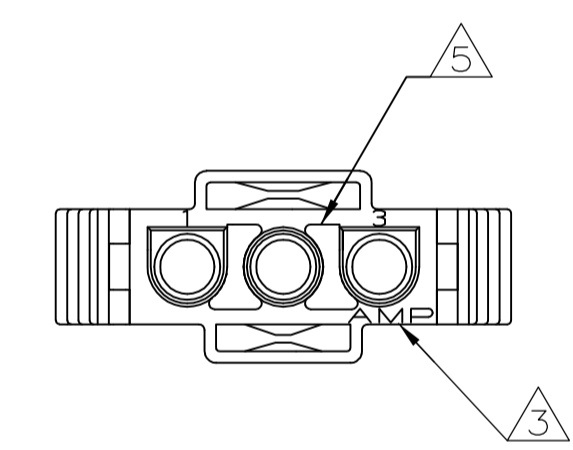


REVISIONS					
P	LTR	DESCRIPTION	DATE	DMN	APVD
E2	REVISED PER	ECO-17-009556	03JUL2017	RS	SW



- BULK PACKAGED, UNASSEMBLED.
- APPROVAL AGENCY LOGO LOCATED APPROXIMATELY AS SHOWN.
- AMP LOGO LOCATED THIS SURFACE.
- CIRCUIT NUMBER ONE IDENTIFICATION BUTTON AND CIRCUIT IDENTIFICATION NUMBERS ARE EACH LOCATED ADJACENT TO THE APPROPRIATE CIRCUIT CAVITIES.
- NEW MOLD CONSTRUCTION PROVIDES MATERIAL REDUCTION CORING AT BASE OF SILOS WITH NO CORING AS OPTIONAL.
- DIMENSIONS SHOWN REPRESENT PRODUCT IN DRY, AS MOLDED CONDITION. ADDITIONAL 2% GROWTH DUE TO SUBSEQUENT MOISTURE ABSORPTION MAY OCCUR AND SHOULD BE ACCOUNTED FOR



VIEW A-A
SCALE 2:1

770018-1
PART NUMBER

METRIC

THIS DRAWING IS A CONTROLLED DOCUMENT.		DIN K SALMON 1-22-92	TE Connectivity	
DIMENSIONS: INCHES		CHK R SWING 1-22-92	NAME	
TOLERANCES UNLESS OTHERWISE SPECIFIED:		APVD M TRULL 1-22-92	PLUG HOUSING KIT, 3 CIRCUIT, IN-LINE, TM	
0 PLC ± -		PRODUCT SPEC	UNIVERSAL MATE-N-LOK	
1 PLC ± -		APPLICATION SPEC		
2 PLC ± -				
3 PLC ± 0.13 [.005]				
4 PLC ± -				
ANGLES ± ± -				
MATERIAL NYLON,UL94V-0,	FINISH -	WEIGHT 0.000000	SIZE A1	CAGE CODE 00779
		DRAWING NO C=770018	RESTRICTED TO	
		CUSTOMER DRAWING	SCALE 5:1	SHEET 1 OF 1
			REV E2	