

SCMXRAIL1-XX, SCMXRAIL2-XX, SCMXRAIL3-XX

DIN Rail

Description

Three styles of DIN rail are available. Specify length (-xx) in meters when ordering, -01 for 1 meter or -02 for 2 meter.

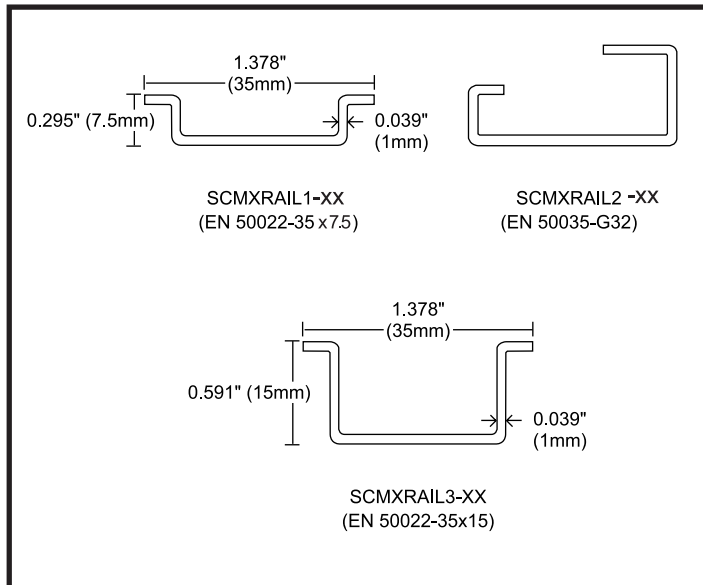


Figure 14: DIN Rail Styles

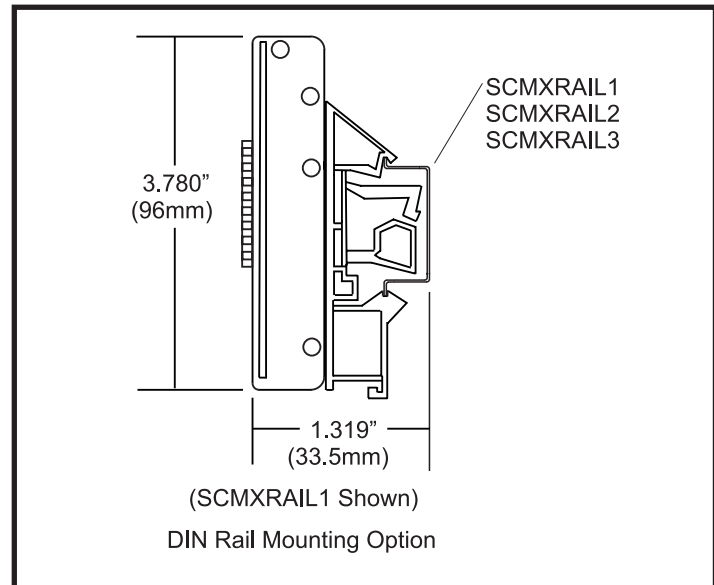


Figure 15: 8BPxx-2, 8BPxx-3 Backpanel DIN Rail Mounting Option

8B-PROTO

Breadboard Kit

Description

The 8B-PROTO breadboard kit was designed to allow users to incorporate their own module functions using an 8B format. The kit includes a PC board with pins designed for breadboard circuits, a module case, header and mounting screw. Contact the factory for additional information.

8BPT

Pass-Through Module

Description

The 8BPT is a pass-through module used to establish a direct connection between an input signal and the 8B series backplane analog bus. It has unity gain and no isolation. It accepts up to $\pm 10V$ input and provides up to $\pm 10V$ output.

8BXCJC

Cold Junction Compensation Sensor



Description

Packaged for use in customer designed mounting boards. This part has an initial tolerance of $\pm 0.25\%$ and comes in a standard 1206 resistor format.