



Illuminated twin pushbutton, 22 mm, round, plastic, green: I, red: O, pushbuttons, flat and raised, Z=50-unit packaging

|  |                                  |
|--|----------------------------------|
| product brand name                                 | SIRIUS ACT                       |
| product designation                                | Twin pushbuttons                 |
| design of the product                              | Actuating/signaling element      |
| product type designation                           | 3SU1                             |
| product line                                       | Plastic, black, 22 mm            |
| <b>Enclosure</b>                                   |                                  |
| number of command points                           | 1                                |
| <b>Actuator</b>                                    |                                  |
| design of the actuating element                    | Flat/raised buttons, illuminated |
| principle of operation of the actuating element    | momentary contact type           |
| product extension optional                         |                                  |
| • light source                                     | Yes                              |
| • contact module                                   | Yes                              |
| color of the actuating element                     | green / red                      |
| material of the actuating element                  | plastic                          |
| shape of the actuating element                     | oval                             |
| marking of the actuating element                   | "I","O"                          |
| <b>Front ring</b>                                  |                                  |
| product component front ring                       | Yes                              |
| design of the front ring                           | Standard                         |
| material of the front ring                         | plastic                          |
| color of the front ring                            | black                            |
| <b>General technical data</b>                      |                                  |
| protection class IP                                | IP66, IP67, IP69(IP69K)          |
| degree of protection NEMA rating                   | 1, 2, 3, 3R, 4, 4X, 12, 13       |
| shock resistance                                   |                                  |
| • acc. to IEC 60068-2-27                           | Sinusoidal half-wave 50g / 11 ms |
| • for railway applications acc. to DIN EN 61373    | Category 1, Class B              |
| vibration resistance                               |                                  |
| • acc. to IEC 60068-2-6                            | 10 ... 500 Hz: 5g                |
| • for railway applications acc. to DIN EN 61373    | Category 1, Class B              |
| operating frequency maximum                        | 3 600 1/h                        |
| mechanical service life (switching cycles) typical | 2 000 000                        |
| reference code acc. to IEC 81346-2                 | S                                |
| <b>Ambient conditions</b>                          |                                  |
| • ambient temperature during operation             | -25 ... +70 °C                   |
| • ambient temperature during storage               | -40 ... +80 °C                   |

|   |   |
|---|---|
| environmental category during operation acc. to IEC 60721 | 3M6, 3S2, 3B2, 3C3, 3K6 (with relative air humidity of 10 ... 95 %) |
| <b>Installation/ mounting/ dimensions</b>                 |   |
| height  | 57.9 mm   |
| width   | 29.9 mm   |
| shape of the installation opening                         | round   |
| mounting diameter   | 22.3 mm   |
| positive tolerance of installation diameter               | 0.4 mm  |
| mounting height   | 18.7 mm   |
| installation width  | 29.9 mm   |
| installation depth  | 25.5 mm   |
| <b>Certificates/ approvals</b>                            |   |
| <b>Further information</b>                                |   |

Information- and Downloadcenter (Catalogs, Brochures,...)

<https://www.siemens.com/ic10>

Industry Mall (Online ordering system)

<https://mall.industry.siemens.com/mall/en/en/Catalog/product?mlfb=3SU1001-3BB42-0AK0-Z X90>

Cax online generator

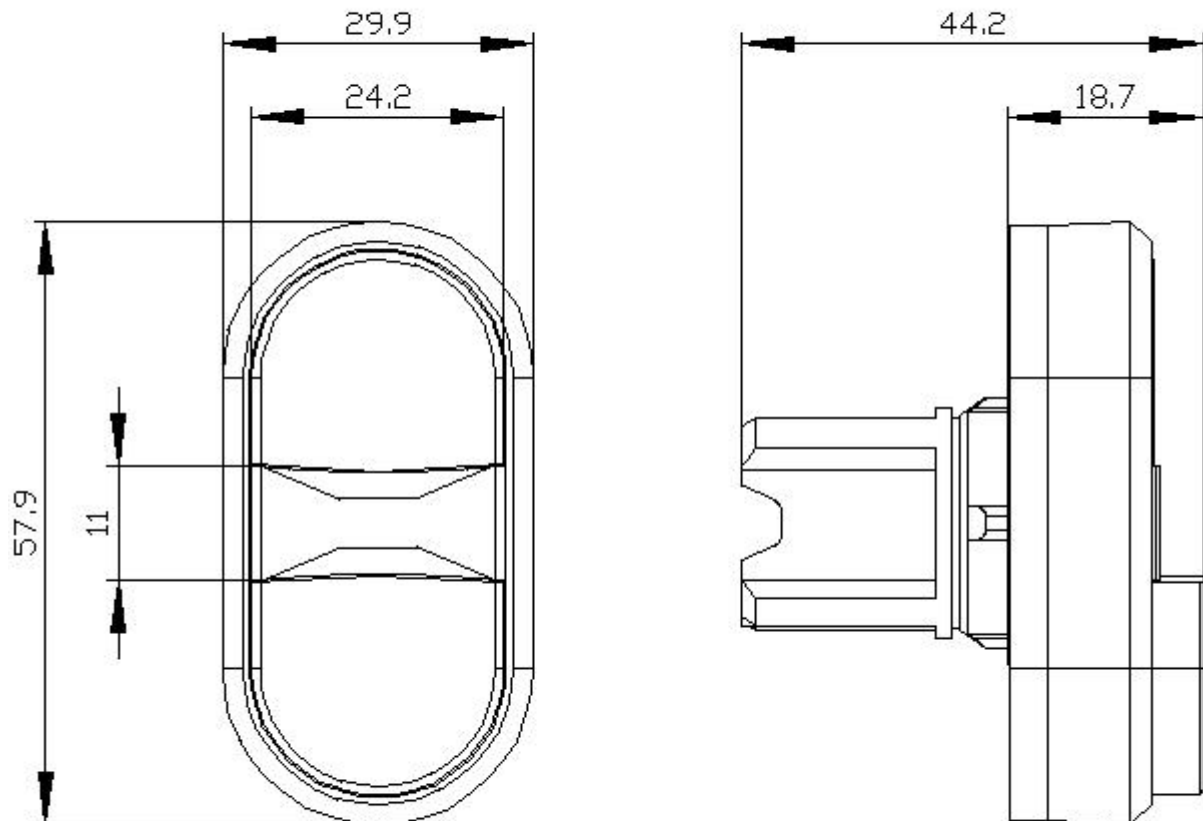
<http://support.automation.siemens.com/WW/CAXorder/default.aspx?lang=en&mlfb=3SU1001-3BB42-0AK0-Z X90>

Service&Support (Manuals, Certificates, Characteristics, FAQs,...)

<https://support.industry.siemens.com/cs/ww/en/ps/3SU1001-3BB42-0AK0-Z X90>

Image database (product images, 2D dimension drawings, 3D models, device circuit diagrams, EPLAN macros, ...)

[http://www.automation.siemens.com/bilddb/cax\\_de.aspx?mlfb=3SU1001-3BB42-0AK0-Z X90&lang=en](http://www.automation.siemens.com/bilddb/cax_de.aspx?mlfb=3SU1001-3BB42-0AK0-Z X90&lang=en)



last modified:

1/5/2021 