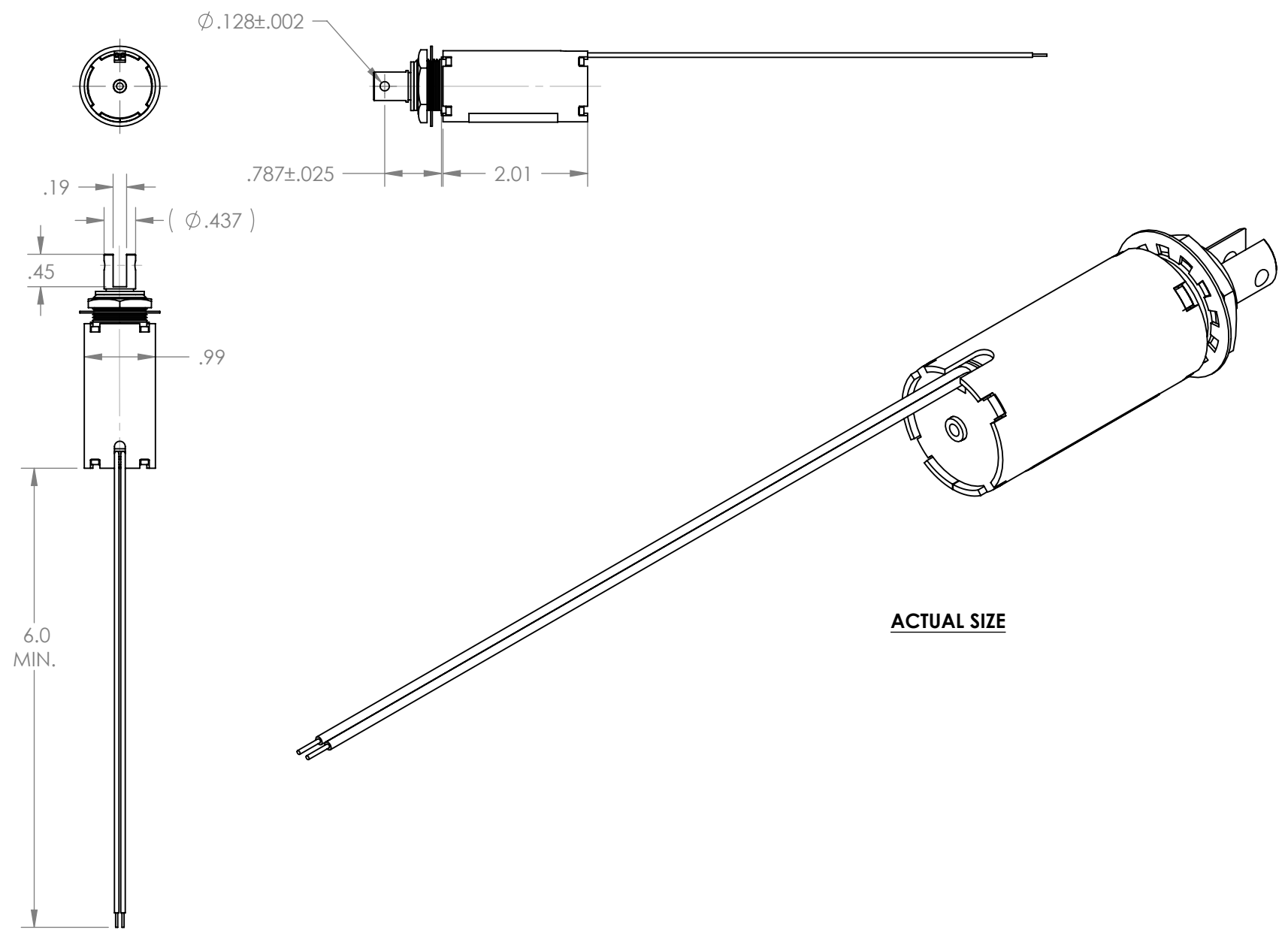


REVISIONS					
REV	BY	ECN	DESCRIPTION	DATE	APPD
A	RCH	04-018	RELEASE FOR PRODUCTION	8/20/04	RCH
B	RCH	15-008	ADD F0485A AND F0486A	11/12/15	RCH



PART NO.	DESCRIPTION	OHMS ± 10% @ 25°C	DIGI-KEY NO.
F0481A	L-10PL012D-C-2	18.0	527-1028-ND
F0482A	L-10PL012D-I-2	3.6	527-1029-ND
F0483A	L-10PL024D-C-2	72.0	527-1030-ND
F0484A	L-10PL024D-I-2	14.4	527-1031-ND
F0485A	L-10PL012D-P-2	1.45	TBD
F0486A	L-10PL024D-P-2	5.8	TBD

LABEL INFO:

PONTIAC COIL, INC.  
(PART NO.) (DATECODE)  
(DESCRIPTION)

<p>UNLESS OTHERWISE SPECIFIED</p> <p>ALL DIMENSIONS ARE IN INCHES DIMENSIONS IN [ ] ARE MILLIMETERS</p> <p>TOLERANCES:</p> <p>X [X] ± .1</p> <p>.XX [0.X] ± .01</p> <p>.XXX [0.XX] ± .005</p> <p>.XXXX [0.XXX] ± .0005</p> <p>FRACTIONS ± 1/32</p> <p>ANGLES IN DEGREES ± 2°</p> <p>DO NOT SCALE DRAWING</p>	<p>MATL: SEE BOM PRINTS</p> <p>FINISH/ PLATING: SEE BOM PRINTS</p> <p>NEXT ASSY:</p> <p>THIS DOCUMENT IS THE PROPERTY OF PONTIAC COIL INC. AND ALL CONTENTS ARE PROPRIETARY</p> <p>ANSI Y14.5M-1982</p>	<div style="text-align: center;"> <p><b>PONTIAC COIL INC.</b></p> </div> <p>TITLE: CUSTOMER DRAWING L10-2</p> <table style="width: 100%; border: none;"> <tr> <td style="border: none;">FILE NAME</td> <td style="border: none;">SIZE</td> <td style="border: none;">DWG NO</td> </tr> <tr> <td style="border: none;">CD-F048XA.SLDDRW</td> <td style="border: none;">B</td> <td style="border: none;">CD-F048XA</td> </tr> </table> <p>CUSTOMER: DIGI-KEY      CUSTOMER P/N:</p> <p>SCALE: 1=1      MFCODE:      SHEET 1 OF 1</p> <p>FULL FILE NAME: E:\DWG\SPCS\CD-F048XA.SLDDRW</p>	FILE NAME	SIZE	DWG NO	CD-F048XA.SLDDRW	B	CD-F048XA
FILE NAME	SIZE	DWG NO						
CD-F048XA.SLDDRW	B	CD-F048XA						