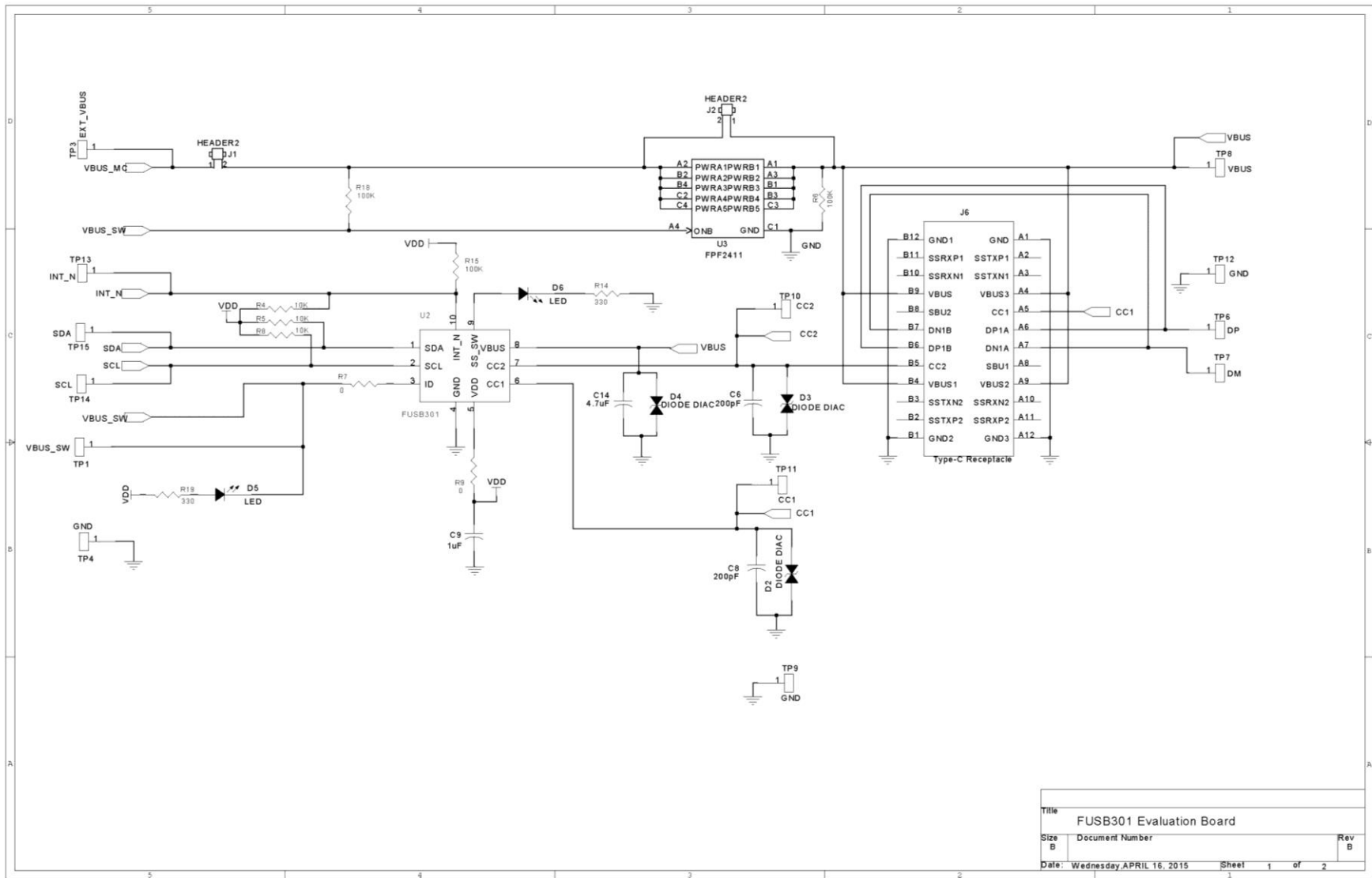
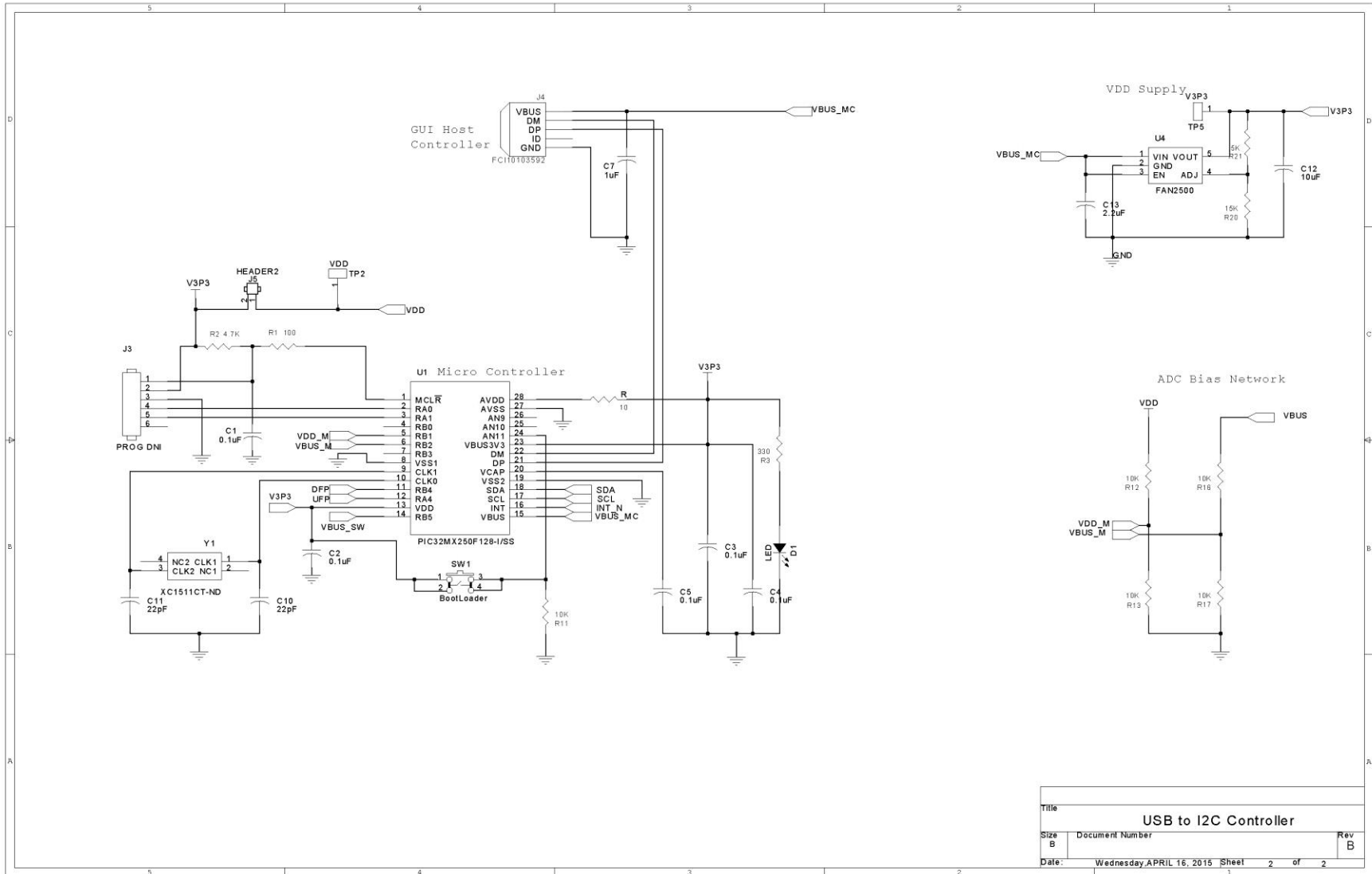


Schematic for the FUSB301GEVB Evaluation Board





Title		USB to I2C Controller	
Size	Document Number	Rev	
B		B	
Date:	Wednesday, APRIL 16, 2015	Sheet	2 of 2