

**MADE
IN THE USA****Related Products (each sold separately):**

- GL102-0111 : Glove Box Dispenser - Single - Food Service - Narrow - PETG Plastic (shown below)

**Product Description:**

- Glove Box Dispenser - Single - Food Service - Narrow
- Holds one box of food service gloves
- Rear spring holds a variety of glove box sizes securely
- Two-way keyholes for vertical or horizontal wall mounting
- Stainless Steel

Primary Area for Product Usage:

- Anywhere gloves are needed

Dispenses:

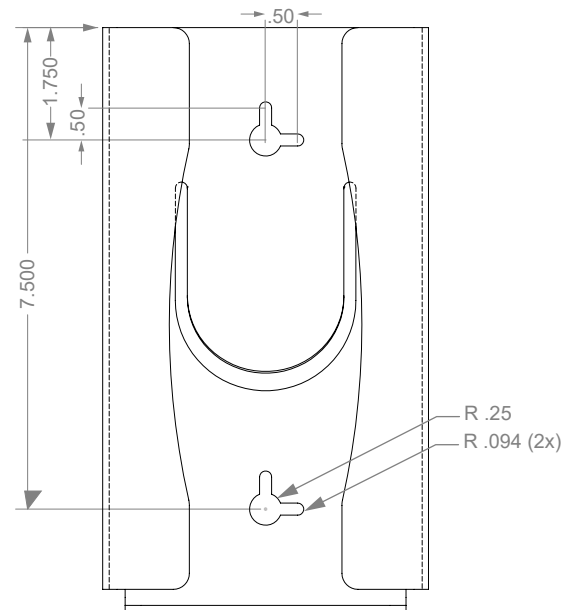
- Box(es) no larger than 4.88"W x 10.00"H x 2.75"D (12.4 cm x 22.9 cm x 7.0 cm)
- Box(es) no smaller than 3.88"W x 7.50"H x 1.75"D (9.9 cm x 19.1 cm x 4.4 cm)

Package Specifications:

- Package Quantity: 12 per case
- 16"L x 12"W x 12"H (40.6 cm x 30.5 cm x 30.5 cm)
- 16.0 lbs (7.3 kg) - approximated

Product Specifications (overall external dimensions):

- 4.95"W x 9.04"H x 2.82"D (12.6 cm x 23.0 cm x 7.2 cm)
- 1.2 lbs (0.5 kg) - approximated

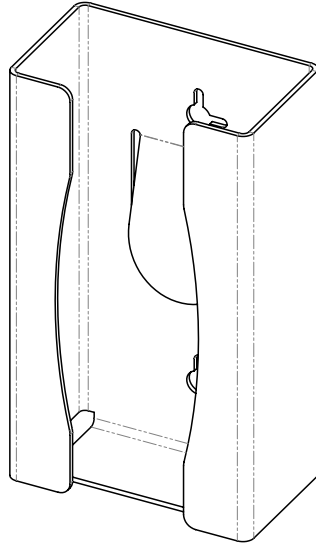
Mounting Specifications:



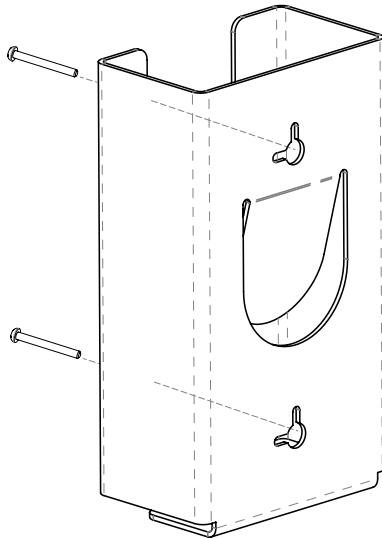
Installation

Always mount dispensers securely *prior* to loading with product.

- Mount securely to a wall with screws approved and supplied by building maintenance.



- Dispenser can be mounted onto a BOWMAN® door or wall hanger through the cutout in the back.



Parts included:

- Dispenser

Tools Required:

- No tools required to assemble dispenser

Care and Construction

Stainless Steel

Material Characteristics

Designed for Long-Term, Heavy-Duty Applications

By its nature, stainless steel is resistant to corrosion and oxidation, yet the bright, easily maintained surface provides a modern and attractive appearance. Stainless steel is used overwhelmingly for its corrosion resistance characteristics. Along with being sturdy, stainless steel is also fire and heat resistant.

Stainless steel has work-hardening properties, giving the material a great strength-to-weight advantage over other materials. It also provides impact resistance and high toughness in extreme temperatures

Care and Cleaning

Stainless steel resists a variety of common chemicals and cleaning agents. Clean using warm water, a gentle detergent, and soft cloth. Dry thoroughly to avoid spotting. Do not use steel wool.