



Since 1959

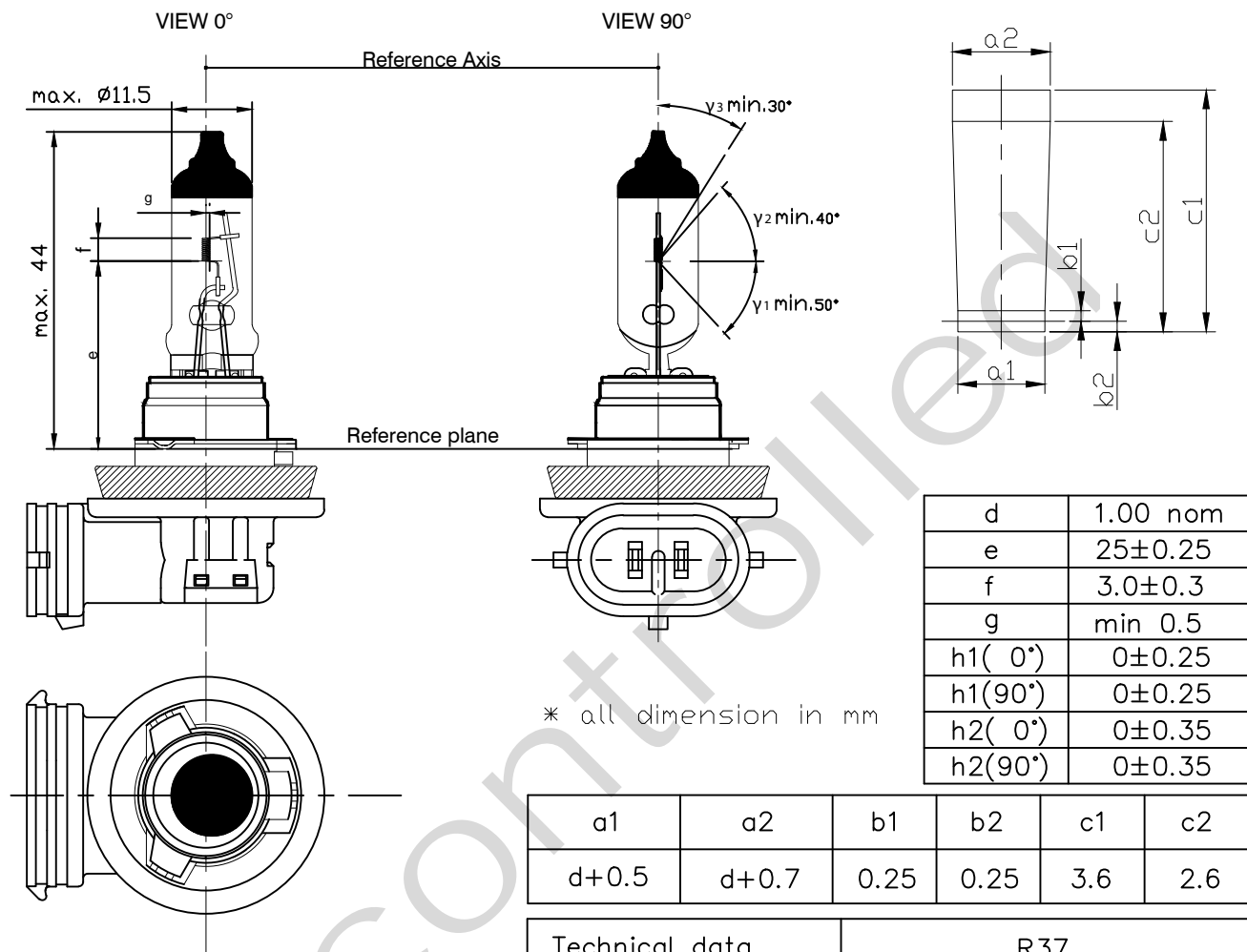
Product Information Sheet

H16 12V 19W STD

No.: H16

2019. 08. 06 NEW

2017. 06. 16 OLD



Halogen bulb

H16 12V 19W

Cap: <sup>1)</sup> PGJ19-3

Type: STD

ECE R37 (E1) 2YV

FMVSS108 None

Bulb: UV-cut Quartz glass

Technical data	R37
Test voltage	13.2V
Power	26W max.
Luminous flux	500lm +10%/-15%
Lumen maintenance after 450hr	85 % min
Rated life:	<sup>4) 5)</sup> at 13.2V Tc: 1000 hr B50: 900 hr B3: 500 hr
Maximum operating temperature:	1:bulb 800°C max 2:pinch 400°C max
Vibration resistance acc. to IEC 60810 Annex B; table B.2	> 20h

1) According to IEC 60061-1 sheet 7004-110-2  
 2) According to SAE J 1383 Annex 5.20  
 3) Switching cycle according to SAE J 1383 5.20.2  
 4) According to IEC 60810 Annex A  
 5) Switching cycle according to IEC 60810 Annex A;4.1.1  
 6) Switching cycle according to IEC 60810 Annex A;4.1.2  
 7) Switching cycle according to IEC 60810 Annex A;4.2