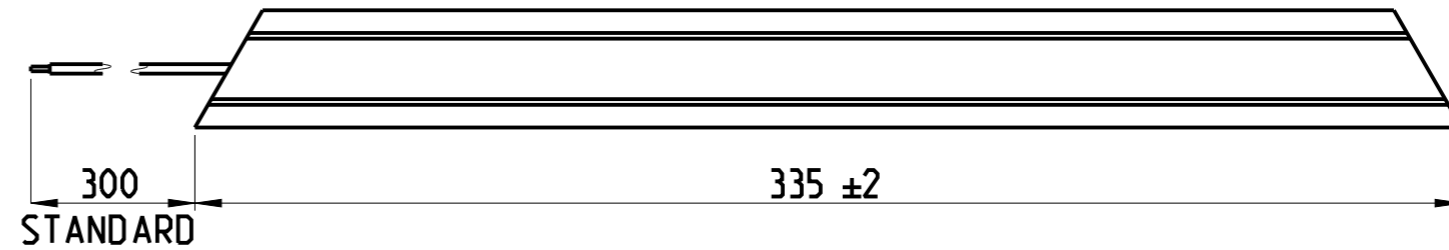
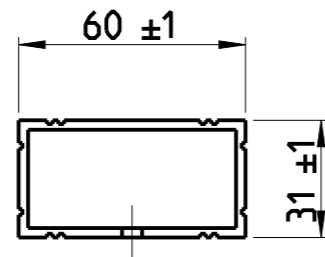
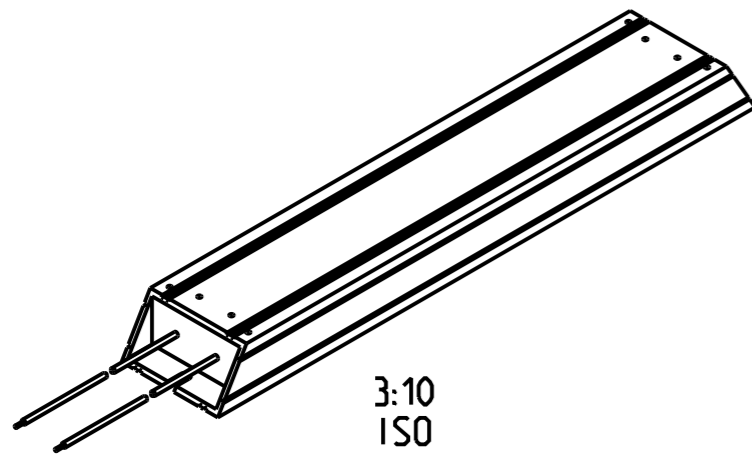
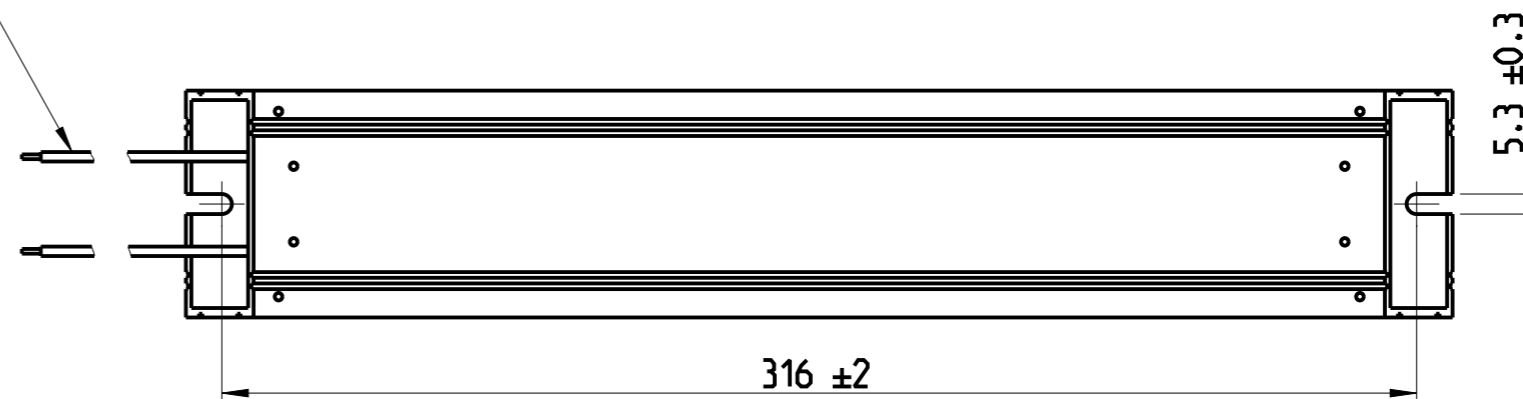


P	LTR	DESCRIPTION	DATE	DWN	APVD
	A	INITIAL RELEASE	06FEB2021	SR	AP



PTFE INSULATED CABLE





THIS DRAWING IS A CONTROLLED DOCUMENT.		DWN SUPREETH R 06FEB2021		
		CHK A. PILE 06FEB2021		
		APVD A. PILE 06FEB2021	NAME Aluminium Housed Breaking Resistor Type HCH335	
DIMENSIONS: mm		PRODUCT SPEC -	RESTRICTED TO -	
TOLERANCES UNLESS OTHERWISE SPECIFIED:		APPLICATION SPEC -		
0 PLC ±		WEIGHT -	SIZE A3	CAGE CODE 00779
1 PLC ±			DRAWING NO C-2176466	
2 PLC ±				
3 PLC ±				
4 PLC ±				
ANGLES ±				
MATERIAL -			SCALE 1:2	SHEET 1 OF 2
FINISH -				REV A
		CUSTOMER DRAWING		

REVISIONS

P	LTR	DESCRIPTION	DATE	DWN	APVD
-		SEE SHEET 1	-	-	-

SCHEDULE

TCPN	PRODUCT NUMBER	MATERIAL DESCRIPTION	LEAD LENGTH
2176466-1	HCH335J10RJ	HCH335 500W 10R 5% LEAD	300mm
2176466-2	HCH335J22RJ	HCH335 500W 22R 5% LEAD	300mm
2176466-3	HCH335J33RJ	HCH335 500W 33R 5% LEAD	300mm
2176466-4	HCH335J47RJ	HCH335 500W 47R 5% LEAD	300mm
2176466-5	HCH335J68RJ	HCH335 500W 68R 5% LEAD	300mm
2176466-6	HCH335J82RJ	HCH335 500W 82R 5% LEAD	300mm
2176466-7	HCH335J100RJ	HCH335 500W 100R 5% LEAD	300mm
2176466-8	HCH335J220RJ	HCH335 500W 220R 5% LEAD	300mm

THIS DRAWING IS A CONTROLLED DOCUMENT.		DWN SUPREETH R 06FEB2021		
DIMENSIONS: mm		CHK A. PILE 06FEB2021		
		APVD A. PILE 06FEB2021	NAME Aluminium Housed Breaking Resistor Type HCH335	
TOLERANCES UNLESS OTHERWISE SPECIFIED:		PRODUCT SPEC	RESTRICTED TO	
0 PLC ±		-	SIZE	A3
1 PLC ±		APPLICATION SPEC	CAGE CODE	
2 PLC ±		-	DRAWING NO	C-2176466
3 PLC ±		WEIGHT	SCALE	
4 PLC ±		-	1:1	SHEET 2 OF 2
ANGLES ±		CUSTOMER DRAWING	REV	
MATERIAL		-	-	A
FINISH		-	-	